

GPS & GLONASS Internal Antenna

Product Number:ATIGG1540-1

1. Product Description

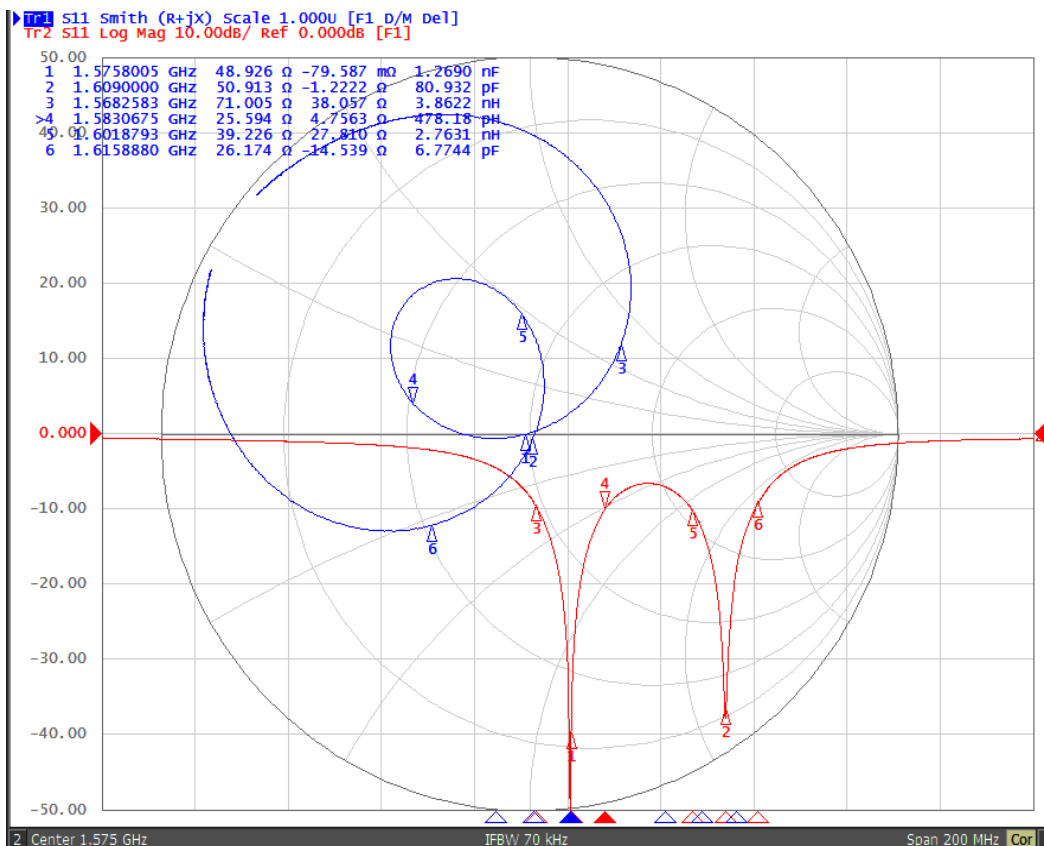
This product can be used as various GPS&GLONASS receivers navigation, GPS&GLONASS clock, positioning.

2. OVERALL PERFORMANCE(Antenna Element, LNA & Cable)

| CHARACTERISTICS | SPEC |
|-----------------------------|----------------------------------------------------------------------------------------------------------------------|
| Center Frequency | GPS : 1575.42±1.023MHz GLONASS : 1609.3 MHz±5MHz (When the antenna are placed on the customer's device inside) |
| Voltage | DC 2.0 ~ 5.5 V |
| Current | 5mA max |
| Gain | 15dB typ |
| Noise Figure | 2.0dB max |
| Bandwidth(10dB return loss) | 5.5MHz min |
| Output VSWR | 2.0 max |
| Output Impedance | 50ohm |
| Dimensions | 15mm(L)×15mm(W)×6.5mm(H) typ |
| Weight | 7±2g(typ) |
| Cable | 60±2mm (Φ=1.13mm) |
| Connector | IPEX (Pull=0.4Kg) |

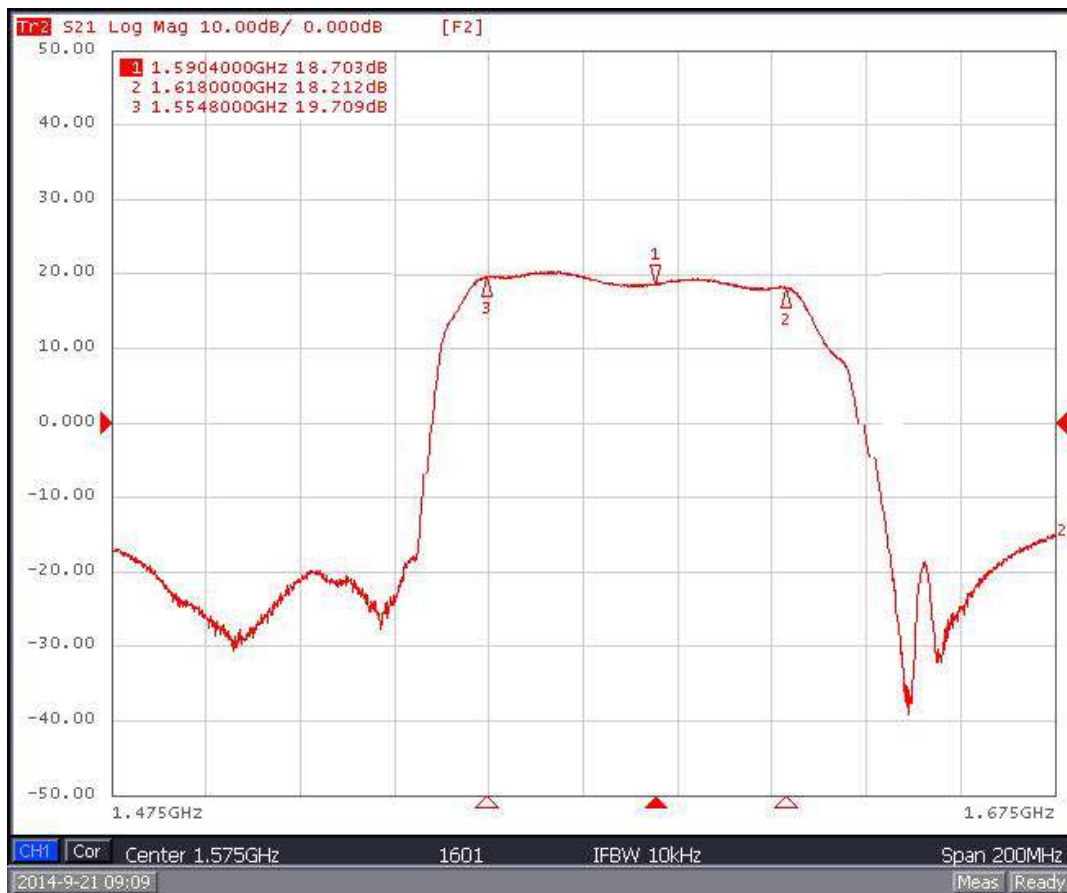
3. Patch antenna

| CHARACTERISTICS | SPEC |
|-----------------------------|----------------------------------------------------------------|
| Dimensions | 15mm(L)×15mm(W)×4mm(H) typ |
| Center Frequency | GPS:1575±1MHz GLONASS:1609±1MHz (18mm(L)×18mm(W) Ground) |
| Bandwidth(10dB return loss) | 5.5MHz min |
| Peak Gain | 1dB typ |
| Output V.S.W.R | 2.0dB max |
| Output Impedance | 50ohm |
| Polarization | R.H.C.P |



4. LNA/Filter

| CHARACTERISTICS | SPEC |
|---------------------------------|-----------------------------------------------------|
| Voltage | DC 2.0 ~ 5.5 V |
| Current | 5mA max |
| Center Frequency | GPS : 1575.42±1.023MHz GLONASS : 1609.3 MHz±5MHz |
| Gain | 15±2dB typ |
| Noise Figure | 1.5dB max |
| Filter(Out of band attenuation) | SAW filter 30dB min fo±60MHz (fo=1590MHz) |
| Output V.S.W.R | 2.0 max |



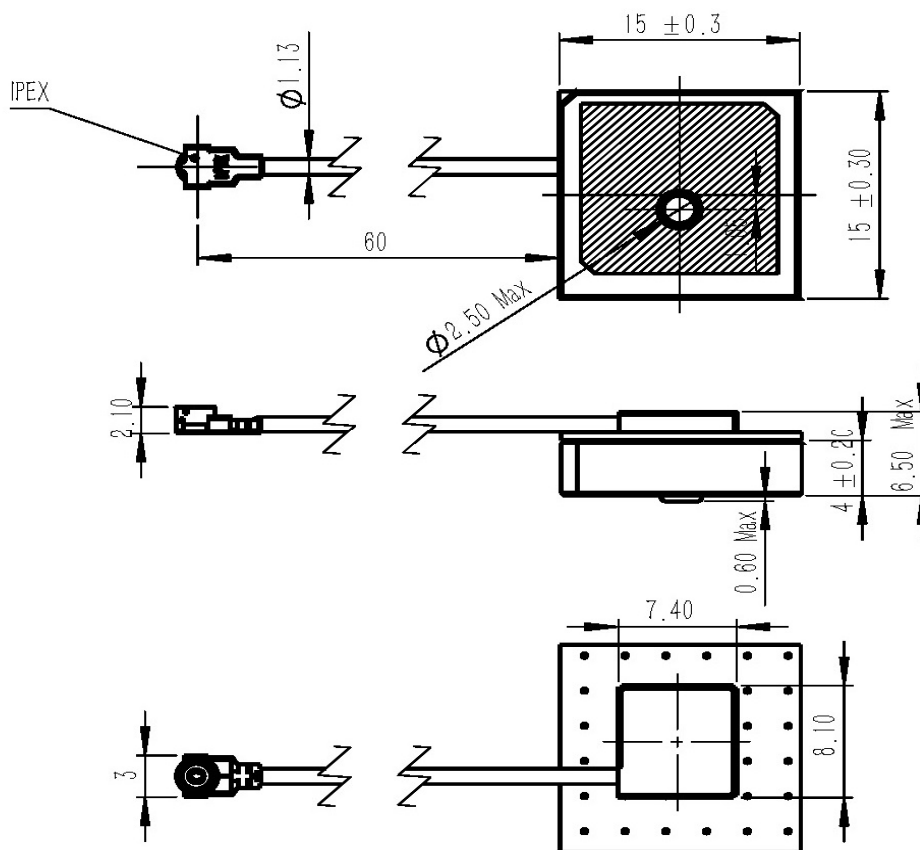
5. OPERATING CONDITION

| | |
|-------------|----------------|
| Temperature | -20°C to +65°C |
| Humidity | 10% to 95% RH |

6. STORAGE CONDITION

| | |
|-------------|----------------|
| Temperature | -20°C to +70°C |
| Humidity | 10% to 95% RH |

7. ANTENNA DIMENSIONS



Unit : mm

8. Note

1、This product specification guarantees the quality of our product as a single unit. Please make sure that your product is evaluated and confirmed against your specifications when our product is mounted to your product.

2、We cannot warrant against failure caused by any use of our product that deviates from the intended use as described in this product specification.

3、The product will get free warranty for three months since the date of purchase users operate in the correct way; users will have to pay cost of the materials and maintaining fee out of the condition.

4、Electrostatic sensitive device. Observe precautions for handling.