

MATERIAL NO.	ENGINEERING NO.	FINISHED LENGTH
1300250513	DNDF99A-M010	1 M (3 FT 3.37 IN )
1300250333	DNDF99A-M030	3 M (9 FT 10.11 IN )
1300250515	DNDF99A-M050	5 M (16 FT 4.85 IN )

**CABLE LENGTH TOLERANCES**

<.3M [1FT]: +19mm-0 [ +.75in-0]

.3 - .9M [1 - 3FT]: +44.5mm-0 [+1.75in-0]

.9 - 1.8M [3 - 6FT]: +55.6mm-0 [+2.19in-0]

1.8 - 3.7M [6 - 12FT]: +88.9mm-0 [+3.50in-0]

3.7 - 7.3M [12 - 24FT]: +165.1mm-0 [+6.50in-0]

7.3-14.6M [24 - 48FT]: +317.5mm-0 [+12.50in-0]

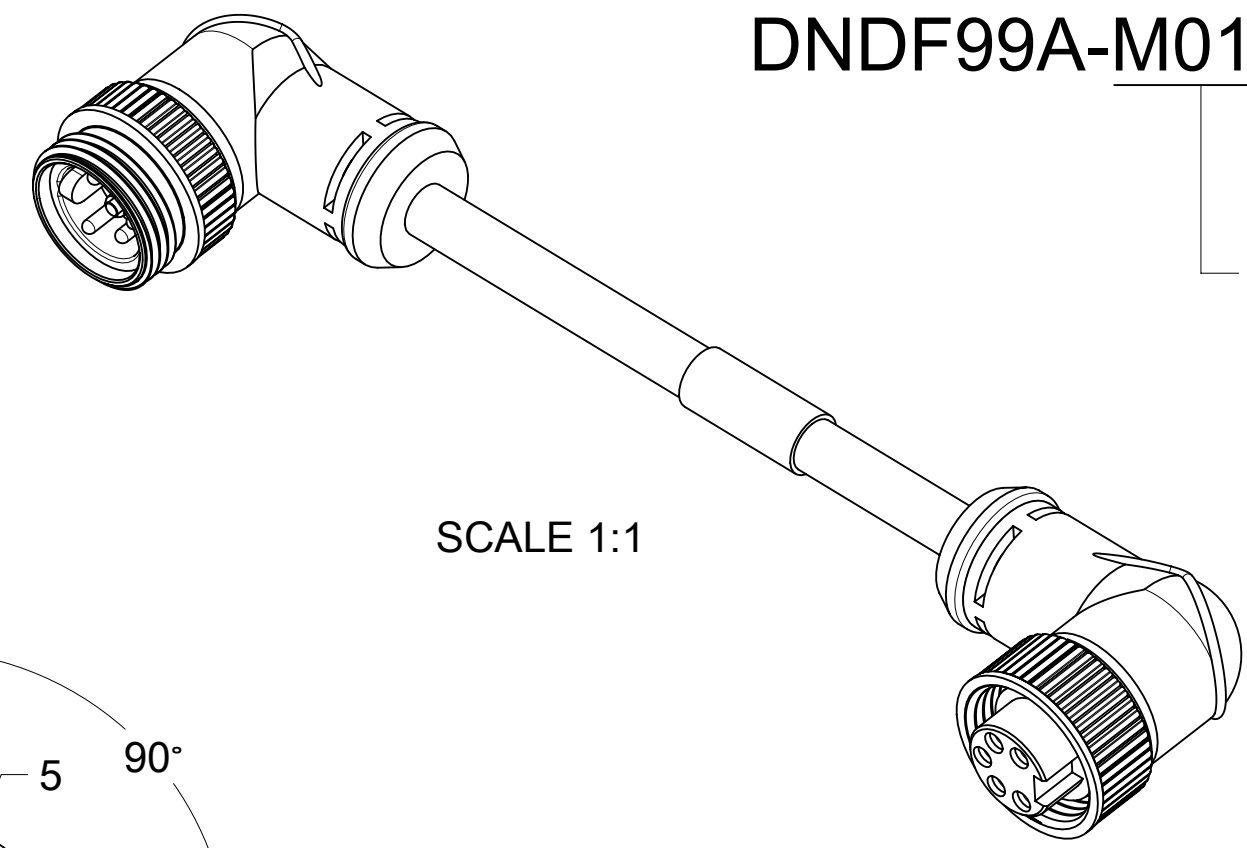
14.6 - 30.5M [48-100FT]: +622.3mm-0 [+24.50in-0]

OVER 30M [100FT] +2% OF FINISHED LENGTH

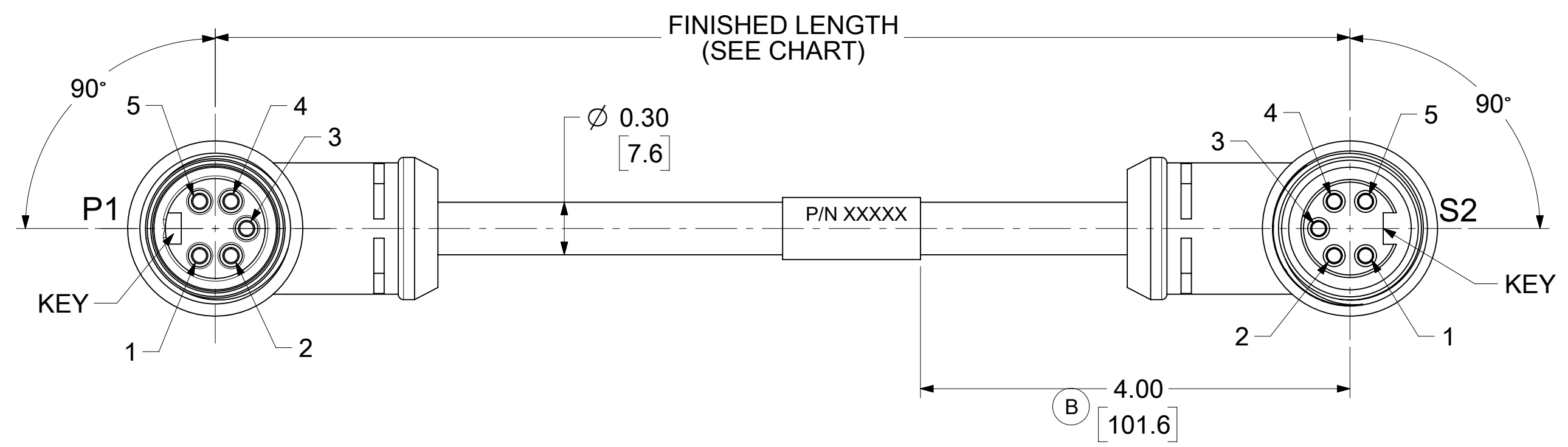
**PART NUMBER LEGEND**

**DNDF99A-M010**

FINISHED LENGTH  
M005= 0.5 M  
M010= 1 M  
M100= 10M

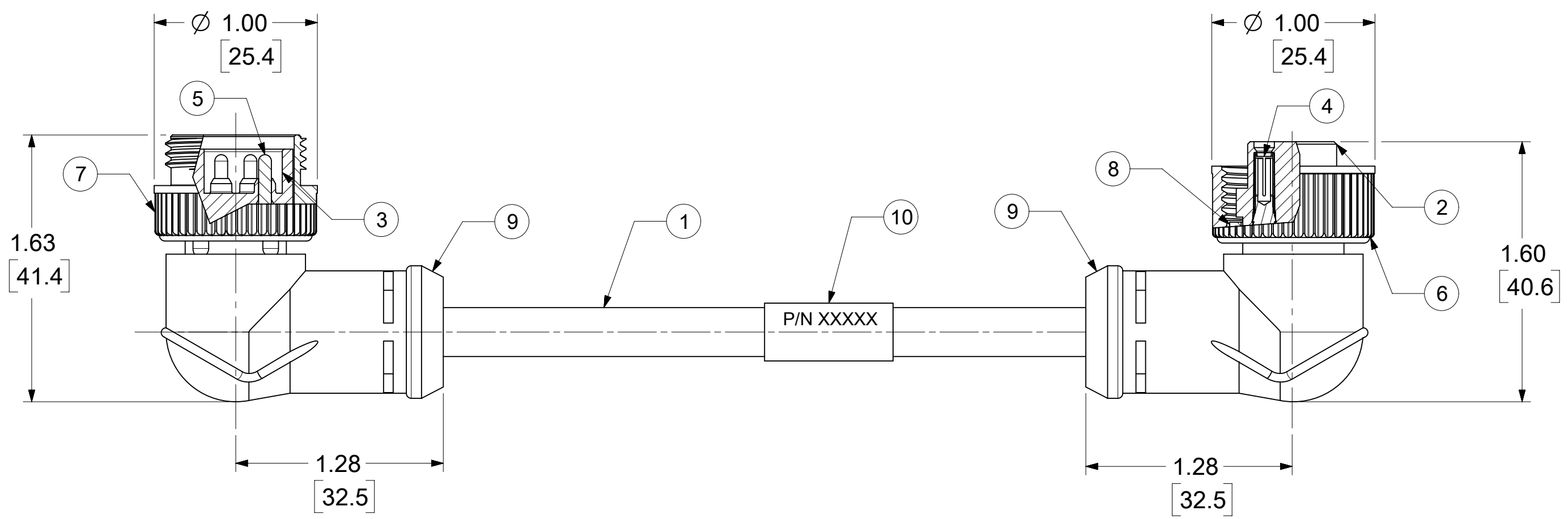


SCALE 1:1



**WIRING DIAGRAM**

P1		S2	
1	DRAIN	1	
2	RED +V	2	
3	BLACK -V	3	
4	WHITE CAN H	4	
5	BLUE CAN L	5	



- NOTES:**
1. MATERIAL: AS NOTED
  2. FINISH: AS NOTED
  3. ELECTRICAL:  
VOLTAGE: 300V PER IEC60664  
300V PER UL2238
  4. TEMP RATING: -20° TO +80°C
  5. PROTECTION: IP67 (WHEN MATED)
  6. COUPLING THREAD: 7/8-16UN
  7. CSA CERTIFIED FILE: LR6837
  8. ALL DIMENSIONS ARE FOR REFERENCE UNLESS TOLERANCED OR NOTED OTHERWISE

10	WRAP LABEL	VINYL	BLACK/YELLOW
9	OVERMOLD	TPE	GRAY
8	FRICITION RING	NYLON	WHITE
7	COUPLING NUT MALE	ZINC DIE CAST	BLACK E-COAT
6	COUPLING NUT FEMALE	ZINC DIE CAST	BLACK E-COAT
5	PIN CONTACT 22AWG	Cu ALLOY	GOLD OVER NICKEL
4	CONTACT SOCKET 22AWG	Cu ALLOY	GOLD OVER NICKEL
3	MALE INSERT	TPE	BLACK
2	FEMALE INSERT	TPE	BLACK
1	CABLE, DEV-NET, DROP, FLEX, 4/22	TPE JACKET	GRAY
ITEM	DESCRIPTION	MATERIAL	FINISH

FUNCTIONAL SYMBOLS				THIS DRAWING CONTAINS INFORMATION THAT IS PROPRIETARY TO MOLEX ELECTRONIC TECHNOLOGIES, LLC AND SHOULD NOT BE USED WITHOUT WRITTEN PERMISSION			
DIMENSION UNITS		SCALE		CURRENT REV DESC: ITEM #2,3,9 WERE PVC, UPDATED LABEL DIM. MATERIAL P/N TABLE, ADDED CSA, IEC VOLT, TEMP RATING, IP RATING, TOL. CHART & PART NUMBER LEGEND			
mm		1.5:1		EC NO: 711366			
GENERAL TOLERANCES (UNLESS SPECIFIED)				DRWN: AKABADI 2021/10/13			
4 PLACES		±		CHK'D: RSTONE 2022/06/21			
3 PLACES		±		APPR: BWOODMAN 2022/06/24			
2 PLACES		±		INITIAL REVISION:			
1 PLACE		±		DRWN: RSTONE 2009/07/31			
0 PLACES		±		APPR: JFMURPHY 2009/08/10			
ANGULAR TOL		± °		THIRD ANGLE PROJECTION			
DRAFT WHERE APPLICABLE MUST REMAIN WITHIN DIMENSIONS				DRAWING		SERIES	
C-SIZE		130025		DOCUMENT NUMBER		DOC TYPE   DOC PART   REVISION	
SEE TABLE		GENERAL MARKET		SD-130025-024		PSD 001 B	
MATERIAL NUMBER		CUSTOMER		SHEET NUMBER		1 OF 1	