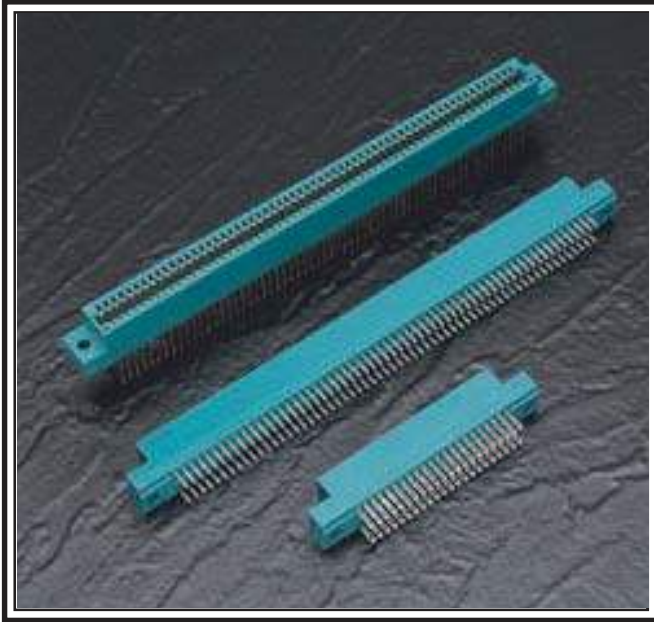


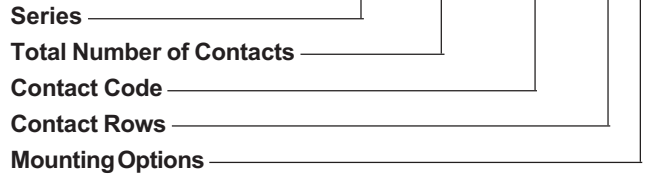
325 SERIES CARD EDGE CONNECTOR

.100" (2.54mm) Contact Spacing, Accepts .125" (3.18mm) Thick Board



325 SERIES ORDERING CODE

Example Part Number **325 - 122 - 520 - 2 09**



Series 325

Total Number of Contacts ¹	Contact Rows
005, 006,...061	Single Row
010, 012,...122	Dual Row

Contact Code	Description & Tail Size	Tail Length "G"
500	Wire Hole .050 x .025 (1.27 x 0.64)	.260 (6.60)
520	P.C. Tail .025 Square (0.64 Square)	.175 (4.45)
540	Wire Wrap .025 Square (0.64 Square)	.560 (14.22)

Contact Rows	Description
1	Single Row
2	Dual Row

Mounting Options ²	Description
01	No Mounting Lugs
07	M3-0.5 Metric Threaded Inserts
08	#4-40 Unified Threaded Inserts
09	.160 (4.06) Dia. Mounting Holes

Ordering Code Notes

- 1) All connector sizes up to 61 contacts single row / 122 contacts dual row are available upon request.
- 2) For details of the mounting options, refer to page 68.

FEATURES

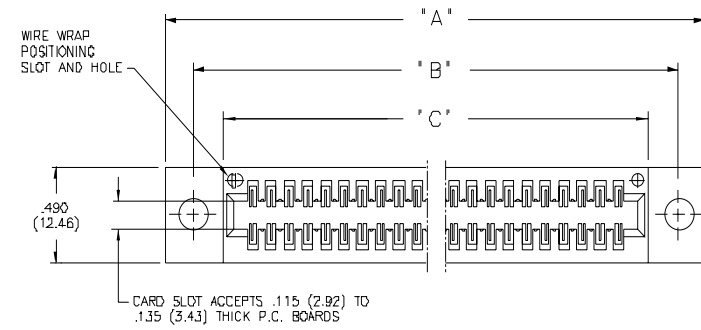
- .100 (2.54) Contact Spacing x .300 (7.62) Row Spacing
- Accepts .125 (3.18) Nominal Thickness P.C. Board
- High Profile Insulator Body, .600 (15.24)
- Contact Termination Options include P.C. Tail, Wire Hole & .025 (0.64) Square Wire Wrap
- Single or Dual Row Configurations
- Variety of Mounting Options
- Accepts In-Contact Polarizing Keys
- Automatic Wire Wrap Positioning Holes

SPECIFICATIONS

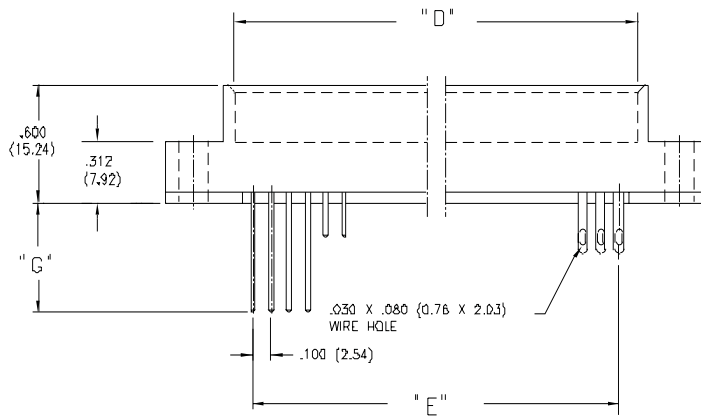
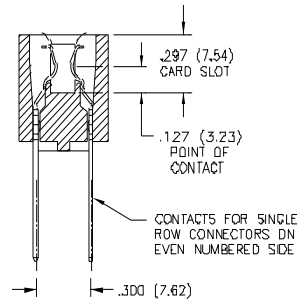
- ◆ Insulator Material: Polyphenylene Sulphide, UL 94V-0, Colour: Green
- ◆ Contact Material: Copper, Nickel, Tin Alloy CA-725
- ◆ Contact Plating: Gold on the Mating Area, Tin on the Contact Tails, Nickel Underplate
- ◆ Current Rating: 3 Amperes Continuous
- ◆ Contact Resistance: 10 Milliohms Maximum
- ◆ Dielectric Withstanding Voltage: 1200 V AC rms at Sea Level Between Adjacent Contacts
- ◆ Insulation Resistance: 5000 Megohms Minimum
- ◆ Operating Temperature: -65 to +105 Degrees C
- ◆ Insertion Force: 16 oz (4.45 N) Maximum per Contact Pair when Tested with a .135 (3.43) Thick Gauge
- ◆ Withdrawal Force: 1 oz (0.28 N) Minimum per Contact Pair when Tested with a .115 (2.92) Thick Gauge

CARD EDGE CONNECTOR SERIES 325

accepts .125" (3.18mm) Thick Board, Contact Spacing .100" (2.54mm)

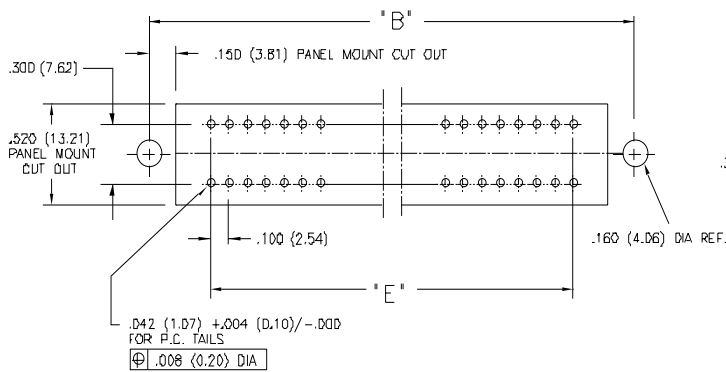
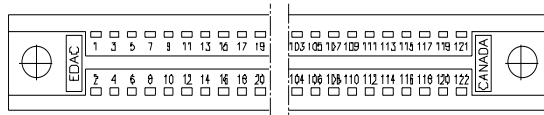
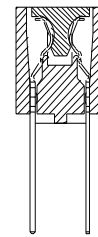


SECTION THROUGH CONTACT POSITION

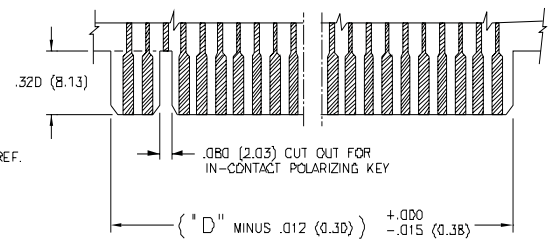


IN-CONTACT POLARIZING KEY

P/N 325-240-328



CONNECTOR MOUNTING PATTERN



RECOMMENDED DAUGHTER BOARD

NUMBER OF CONTACTS		"A"		"B"		"C"		"D"		"E"	
Single	Dual	Inch	(mm)	Inch	(mm)	Inch	(mm)	Inch	(mm)	Inch	(mm)
5	10	1.355	(34.42)	1.056	(26.82)	.722	(18.34)	.600	(15.24)	.400	(10.16)
15	30	2.355	(59.82)	2.056	(52.22)	1.722	(43.74)	1.600	(40.64)	1.400	(35.56)
18	36	2.655	(67.44)	2.356	(59.84)	2.022	(51.36)	1.900	(48.26)	1.700	(43.18)
22	44	3.055	(77.60)	2.756	(70.00)	2.422	(61.52)	2.300	(58.42)	2.100	(53.34)
25	50	3.355	(85.22)	3.056	(77.62)	2.722	(69.14)	2.600	(66.04)	2.400	(60.96)
30	60	3.855	(97.92)	3.556	(90.32)	3.222	(81.84)	3.100	(78.74)	2.900	(73.66)
36	72	4.455	(113.16)	4.156	(105.56)	3.822	(97.08)	3.700	(93.98)	3.500	(88.90)
40	80	4.855	(123.32)	4.556	(115.72)	4.222	(107.24)	4.100	(104.14)	3.900	(99.06)
43	86	5.155	(130.94)	4.856	(123.34)	4.522	(114.86)	4.400	(111.76)	4.200	(106.68)
50	100	5.855	(148.72)	5.556	(141.12)	5.222	(132.64)	5.100	(129.54)	4.900	(124.46)
61	122	6.955	(176.66)	6.656	(169.06)	6.322	(160.58)	6.200	(157.48)	6.000	(152.40)

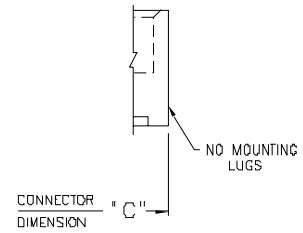
Dimensions of Other Connector Sizes are Listed on Page 72

MOUNTING OPTIONS - CARD EDGE CONNECTORS

Standard Mounting Details

CODE x01 - NO MOUNTING LUGS

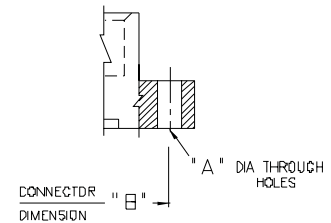
- Applicable for 303, 305, 306, 307, 310, 315, 316, 317, 321, 325, 327, 333, 336, 337, 338, 340, 341, 342, 345, 346, 355, 356, 357, 379, 384, 387, 391, 392, 395 and 396 Series



MOUNTING OPTION
CODE x01

CODE x02, x04 & x09 - THROUGH MOUNTING HOLES

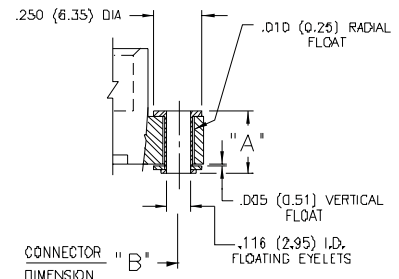
Applicable Series	Code x02 "A" Dia.	Code x04 "A" Dia.	Code x09 "A" Dia.
303, 305, 306, 307, 310, 315, 316, 321, 333, 337, 338, 340, 341, 345, 346, 355, 356, 357, 379, 384, 387, 391, 395, 396	.128 (3.25)	.156 (3.96)	—
317, 323	.144 (3.66)	.156 (3.96)	—
325	—	—	.160 (4.06)
327	—	—	.163 (4.14)
336	.128 (3.25)	.156 (3.96)	.178 (4.52)
342, 392	.128(3.25) x .146 (3.71) Slot	.156 (3.96)	—



MOUNTING OPTION
CODES x02, x04 & x09

CODE x03 - FLOATING EYELETS

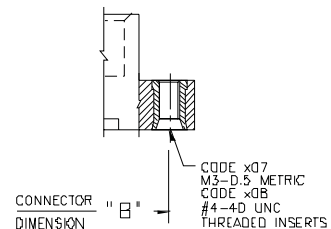
Applicable Series	"A"
303, 305, 306, 307, 310, 315, 316, 317, 321, 323, 333, 336, 337, 338, 341, 345, 346, 355, 356, 357, 379, 384, 387, 391, 395, 396	.328 (8.33)
342, 392	.348 (8.84)



MOUNTING OPTION
CODE x03

CODE x07 & x08 - THREADED INSERTS

- Applicable for 303, 305, 306, 307, 310, 315, 316, 317, 321, 323, 325, 333, 336, 337, 338, 341, 342, 345, 346, 356, 357, 379, 384, 387, 391, 392, 395 and 396 Series
- See Code x12 for Side Mounting Threaded Inserts

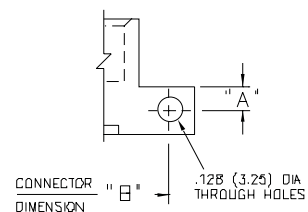


MOUNTING OPTION
CODES x07 & x08

CODE x12 - SIDE MOUNTING HOLES

Applicable Series	"A"
307, 333, 337, 345, 346, 357, 387, 395, 396	.125 (3.18)
342, 392	.135 (3.43)

- Series Listed Above based on Availability of 90 Degree Bend Contact Tails. Side Mounting Holes may also be Used for Other Card Edge Connectors with a Lug Height of .250 (6.35) or Greater.
- For Side Mounting with Threaded Inserts, Specify Code x17 for M3-0.5 Metric Threads or Code x18 for #4-40 Unified Threads.

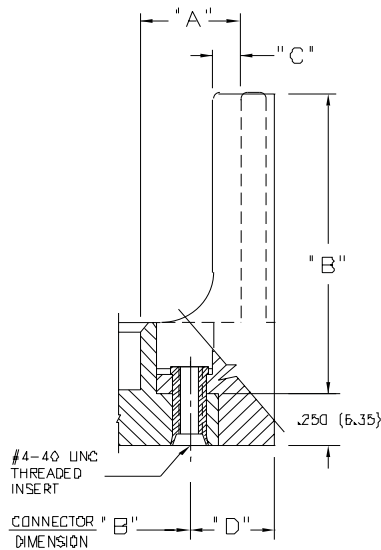


MOUNTING OPTION
CODE x12

CARD EDGE CONNECTORS - MOUNTING OPTIONS

Standard Mounting Details

CODE x58 & x68 - OFFSET CARD GUIDES

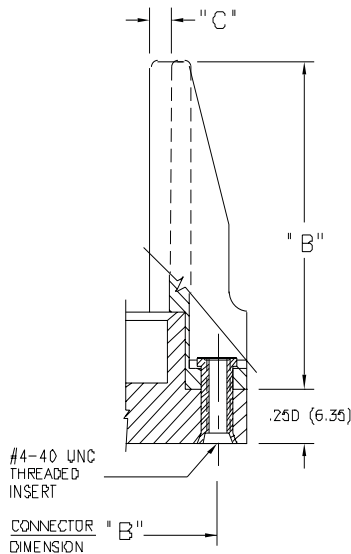


Applicable Series for Code x58 Guides	"A"	"B"	"C"	"D"
305, 306, 307, 315, 316, 337, 338, 355, 356, 357, 387	.468 (11.89)	2.755 (69.98)	.125 (3.18)	.423 (10.74)
345, 395	.468 (11.89)	2.755 (69.98)	.120 (3.05)	.402 (10.21)
346, 396	.468 (11.89)	2.755 (69.98)	.120 (3.05)	.398 (10.11)
Applicable Series for Code x68 Guides	"A"	"B"	"C"	"D"
305, 306, 307, 315, 316, 337, 338, 355, 356, 357, 387	.344 (8.74)	2.505 (63.63)	.060 (1.52)	.242 (6.15)

- For Card Guides with .128 (3.25) Dia. Through Hole Inserts, Specify Code x52 or x62.
- For Card Guides with M3-0.5 Metric Threaded Inserts, Specify Code x57 or x67.
- For Field Assembly of Card Guides, Refer to Page 71.

MOUNTING OPTION
CODES x58 & x68

CODE x78 & x88 - IN-LINE CARD GUIDES



Applicable Series for Code x78 Guides	"B"	"C"
305, 306, 307, 315, 316, 337, 338, 355, 356, 357, 387	1.550 (39.37)	.090 (2.29)
317	1.712 (43.48)	.110 (2.79)
345, 395	2.750 (69.85)	.083 (2.11)
346, 396	2.750 (69.85)	.091 (2.31)
Applicable Series for Code x88 Guides	"B"	"C"
345, 395	1.250 (31.75)	.083 (2.11)

- In-Line Card Guides are Not Suitable for the Flush Mounting Lug Versions of 337, 387, 346 or 396 Series
- For Card Guides with .128 (3.25) Dia. Through Hole Inserts, Specify Code x72 or x82.
- For Card Guides with M3-0.5 Metric Threaded Inserts, Specify Code x77 or x87
- For Field Assembly of Card Guides, Refer to Page 71.

MOUNTING OPTION
CODES x78 & x88