

Suction plate (round)

SUF 160 NBR-60 G1/2-IG

Part no...:10.01.01.14522

<https://www.schmalz.com/10.01.01.14522>

Home > Vacuum Technology for Automation > Vacuum Components > Vacuum Suction Cups > Flat Suction Cups (Round) > Suction Plates SUF > SUF 160 NBR-60 G1/2-IG

Suction plate (round), universal, for smooth and slightly rough surfaces

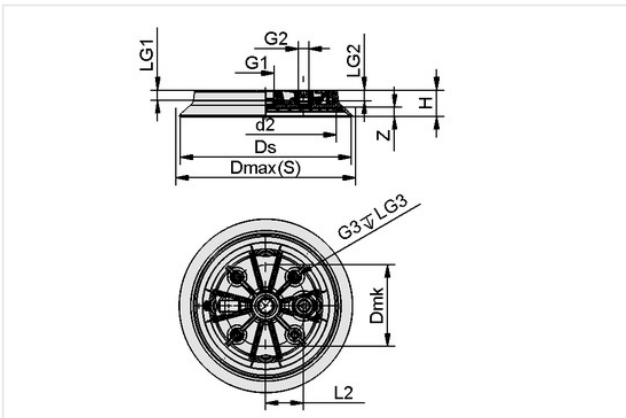


Size: 160

Suction cup material: Nitrile rubber NBR

Material hardness [Shore A]: 60 Shore A

Design Data



Attribute	Value
d2	130 mm
Dmax(S)	170 mm
Dmk	66.50 mm
Ds	160 mm
G1	G1/2"-F
G2	G1/4"-F
G3	M8-F
H	30 mm
L2	32.50 mm
LG1	14 mm
LG2	11.80 mm
LG3	11.10 mm
Z (Stroke)	9 mm

Technical Data

Attribute	Value
Product family	SUF
Size	160
Suction cup material	Nitrile rubber NBR
Material hardness [Shore A]	60 Shore A

Contact Schmalz

Schmalz Inc. | 5850 Oak Forest Drive, Raleigh, NC 27616, United States | +1 (919) 713-0880 | schmalz.us@schmalz.com

Suction plate (round)

SUF 160 NBR-60 G1/2-IG

Part no...:10.01.01.14522

<https://www.schmalz.com/10.01.01.14522>

Volume	176 cm ³
Suction force d2	790 N
Suction force (-600mbar)	1200 N
Curve radius (min) (convex)	400 mm
Hose diameter (empf.) d	12 mm
Weight	380 g

Accessories



SIEB 27x1 MS-A2 100

Part no...:10.07.01.00110



SIEB 15x0.8 MS-A2 0.103/0.07

Part no...:10.07.01.00211

External diameter D: 15 mm

Length L: 0.8 mm

Material: Brass / Stainless steel

Suction plate (round)

SUF 160 NBR-60 G1/2-IG

Part no...:10.01.01.14522

<https://www.schmalz.com/10.01.01.14522>



PC 175

Part no...:10.01.01.13088

Size: 175



TV G1/4-AG 12

Part no...:10.05.10.00086

Thread G1: G1/4"-M

Spring stroke Z: 12 mm

Spare parts



DR-SUF 160 NBR-60

Part no...:10.01.01.14327

Size: 160

Suction cup material: Nitrile rubber NBR

Material hardness [Shore A]: 60 Shore A