



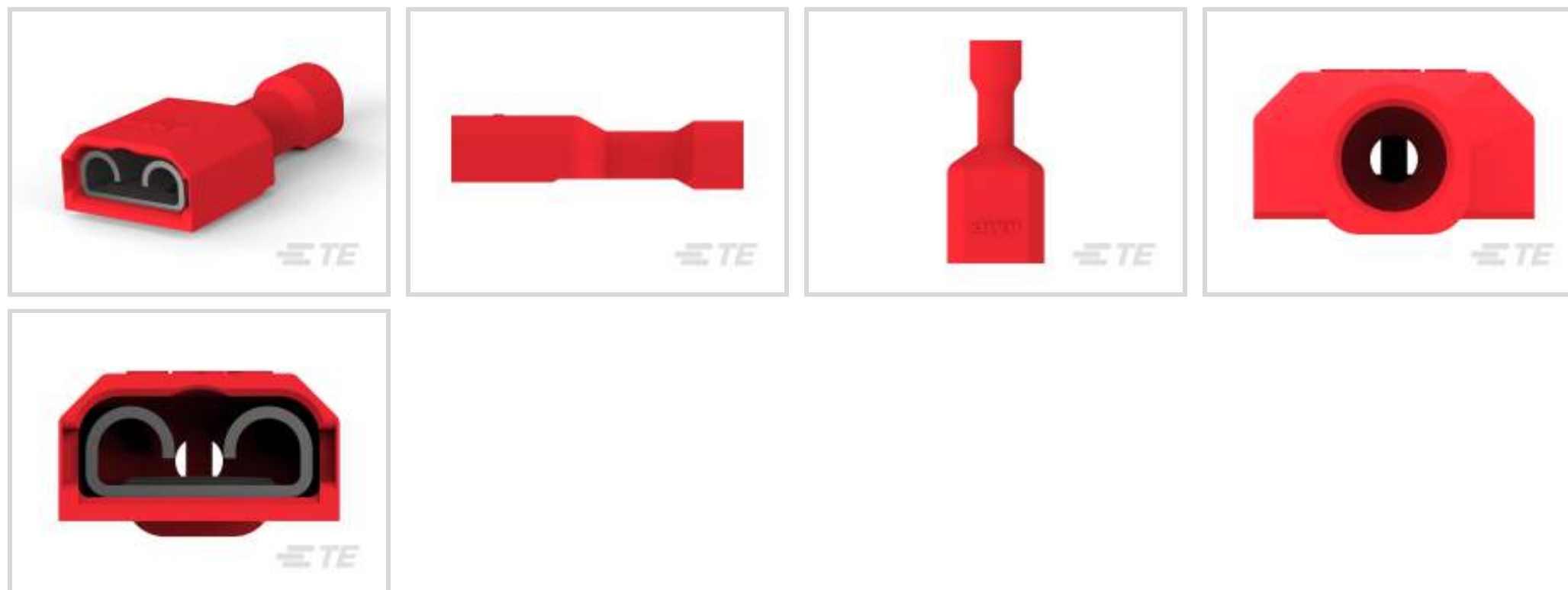
Ultra-Fast | Ultra-Fast 250

TE Internal #: 2-520405-2

Quick Disconnects, Receptacle, 22 – 18 AWG Wire Size, .32 – .82 mm² Wire Size, Mating Tab Width 6.35 mm [.25 in], Straight, Brass, Ultra-Fast 250

[View on TE.com >](#)

Terminals & Splices > Quick Disconnects



Quick Disconnect Terminal Type: **Receptacle**

Wire Size: .32 – .82 mm²

Mating Tab Width: 6.35 mm [.25 in]

Mating Tab Thickness: .81 mm [.032 in]

Features

Product Type Features

| | |
|-------------------|-----------|
| Terminal Features | Wire Stop |
| Insertion Force | Normal |

Configuration Features

| | |
|-----------------------------------|---------------|
| Connection Capacity | Single |
| Compatible With Wire & Cable Type | Discrete Wire |

Electrical Characteristics

| | |
|----------------|-------|
| Voltage Rating | 600 V |
|----------------|-------|

Body Features

| | |
|---------------------|-------|
| Insulation Material | Nylon |
|---------------------|-------|

Contact Features

| | |
|--------------------------------|------------------|
| Quick Disconnect Terminal Type | Receptacle |
| Mating Tab Width | 6.35 mm [.25 in] |
| Mating Tab Thickness | .81 mm [.032 in] |
| Terminal Orientation | Straight |



| | |
|---------------------------|---------|
| Contact Base Material | Brass |
| Terminal Plating Material | Tin |
| Crimp Type | F-Crimp |
| Barrel Type | Closed |

Termination Features

| | |
|-----------------------|--------------|
| Product Terminates To | Wire & Cable |
|-----------------------|--------------|

Mechanical Attachment

| | |
|-------------------------|--------|
| Wire Insulation Support | With |
| Mating Retention Type | Dimple |

Dimensions

| | |
|--------------------------------------|-------------------------------|
| Terminal Material Thickness | .41 mm[.016 in] |
| Product Length | 21.75 mm[.855 in] |
| Compatible Insulation Diameter Range | 1.52 – 3.43 mm[.06 – .135 in] |
| Wire Size | .32 – .82 mm ² |

Usage Conditions

| | |
|-----------------------------|----------------------------|
| Insulation Option | Fully Insulated |
| Operating Temperature Range | -40 – 110 °C[-40 – 230 °F] |

Industry Standards

| | |
|------------------------|----------|
| Agency/Standard | UL |
| UL Flammability Rating | UL 94V-2 |

Packaging Features

| | |
|--------------------|------------|
| Packaging Quantity | 2200 |
| Packaging Method | Strip/Reel |

Other

| | |
|--------------|-----|
| Barrel Color | Red |
|--------------|-----|

Product Compliance

[For compliance documentation, visit the product page on TE.com>](#)

| | |
|---|---|
| EU RoHS Directive 2011/65/EU | Compliant |
| EU ELV Directive 2000/53/EC | Compliant |
| China RoHS 2 Directive MIIT Order No 32, 2016 | No Restricted Materials Above Threshold |
| EU REACH Regulation (EC) No. 1907/2006 | |



Current ECHA Candidate List: JUNE 2023 (235)
 Candidate List Declared Against: JUNE 2023 (235)
 Does not contain REACH SVHC

Halogen Content
 Low Halogen - Br, Cl, F, I < 900 ppm per homogenous material. Also BFR/CFR/PVC Free

Solder Process Capability
 Not applicable for solder process capability

Product Compliance Disclaimer

This information is provided based on reasonable inquiry of our suppliers and represents our current actual knowledge based on the information they provided. This information is subject to change. The part numbers that TE has identified as EU RoHS compliant have a maximum concentration of 0.1% by weight in homogenous materials for lead, hexavalent chromium, mercury, PBB, PBDE, DBP, BBP, DEHP, DIBP, and 0.01% for cadmium, or qualify for an exemption to these limits as defined in the Annexes of Directive 2011/65/EU (RoHS2). Finished electrical and electronic equipment products will be CE marked as required by Directive 2011/65/EU. Components may not be CE marked. Additionally, the part numbers that TE has identified as EU ELV compliant have a maximum concentration of 0.1% by weight in homogenous materials for lead, hexavalent chromium, and mercury, and 0.01% for cadmium, or qualify for an exemption to these limits as defined in the Annexes of Directive 2000/53/EC (ELV). Regarding the REACH Regulation, the information TE provides on SVHC in articles for this part number is based on the latest European Chemicals Agency (ECHA) 'Guidance on requirements for substances in articles' posted at this URL: <https://echa.europa.eu/guidance-documents/guidance-on-reach>

Compatible Parts



Also in the Series | [Ultra-Fast 250](#)



Automotive Housings(6)

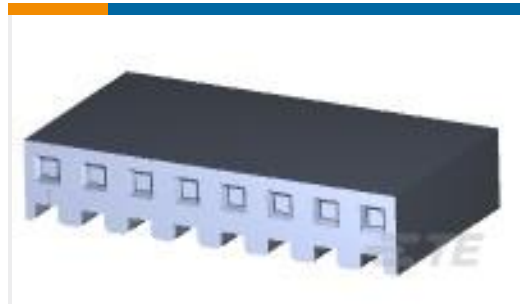


Quick Disconnects(49)

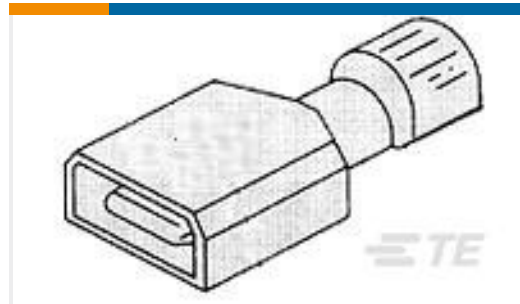
Customers Also Bought



TE Part #6609012-4
6EH3=F7286A S0



TE Part #640251-8
08P SL156 HSG W/O LCK RAMP



TE Part #2-521055-2
ULTRAFast 250 ASSY TAB 22-18
AWG TPBR



TE Part #63475-1
187 FASTON REC 20-16 AWG BR



TE Part #63667-1
MAG-MATE 187 FAST TAB 020TPBR



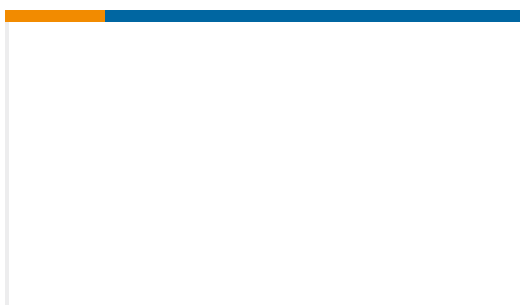
TE Part #1601033-5
STD SMZ 187X020 BARB TAB TERM



TE Part #4-1803224-4
CRIMPER, WIRE F



TE Part #1803432-1
ANVIL, AMPLIVAR FLAT PROFILE



TE Part #2238069-1
TERM,SPL,TRI-SLOT,MAG-MATE



TE Part #2825663-1
MAG-MATE W/250 CONN TAB TPBR

Documents

Product Drawings

[ULTRA-FAST 250 ASY REC 22-18 TPBR](#)

English

CAD Files

[3D PDF](#)

[3D](#)

Customer View Model

[ENG_CVM_CVM_2-520405-2_K.2d_dxf.zip](#)



English

Customer View Model

[ENG_CVM_CVM_2-520405-2_K.3d_igs.zip](#)

English

Customer View Model

[ENG_CVM_CVM_2-520405-2_K.3d_stp.zip](#)

English

By downloading the CAD file I accept and agree to the [Terms and Conditions](#) of use.

Datasheets & Catalog Pages

Ultra-Fast and Ultra Fast Plus

English

Product Specifications

Application Specification

English

Application Specification

English

Product Environmental Compliance

Product Compliance Document

English

Product Compliance Document

English

Agency Approvals

Agency Approval Document

English

Agency Approval Document

English