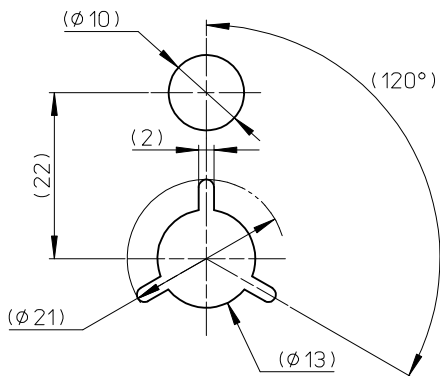
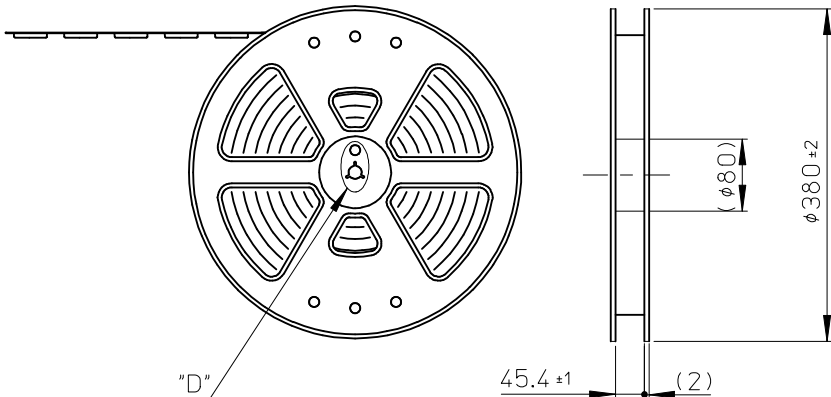


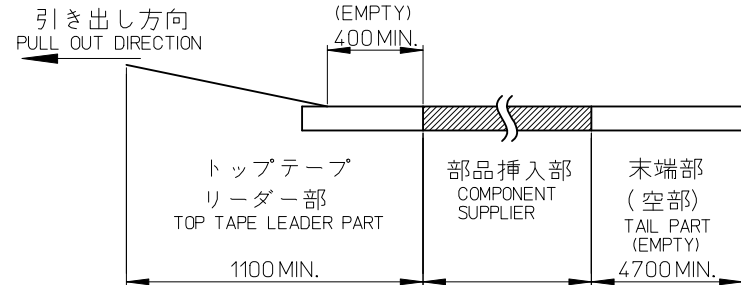
引き出し方向
PULL OUT DIRECTION



DETAIL "D"

NOTES

- 梱包数量：1000 個／リール
NUMBER OF CONNECTORS :1000 PCS/REEL.
- リードテープ長さ トップテープ接着部
LEAD TAPE LENGTH. TOP TAPE BONDED PART.
(空エンボス)
(EMPTY)

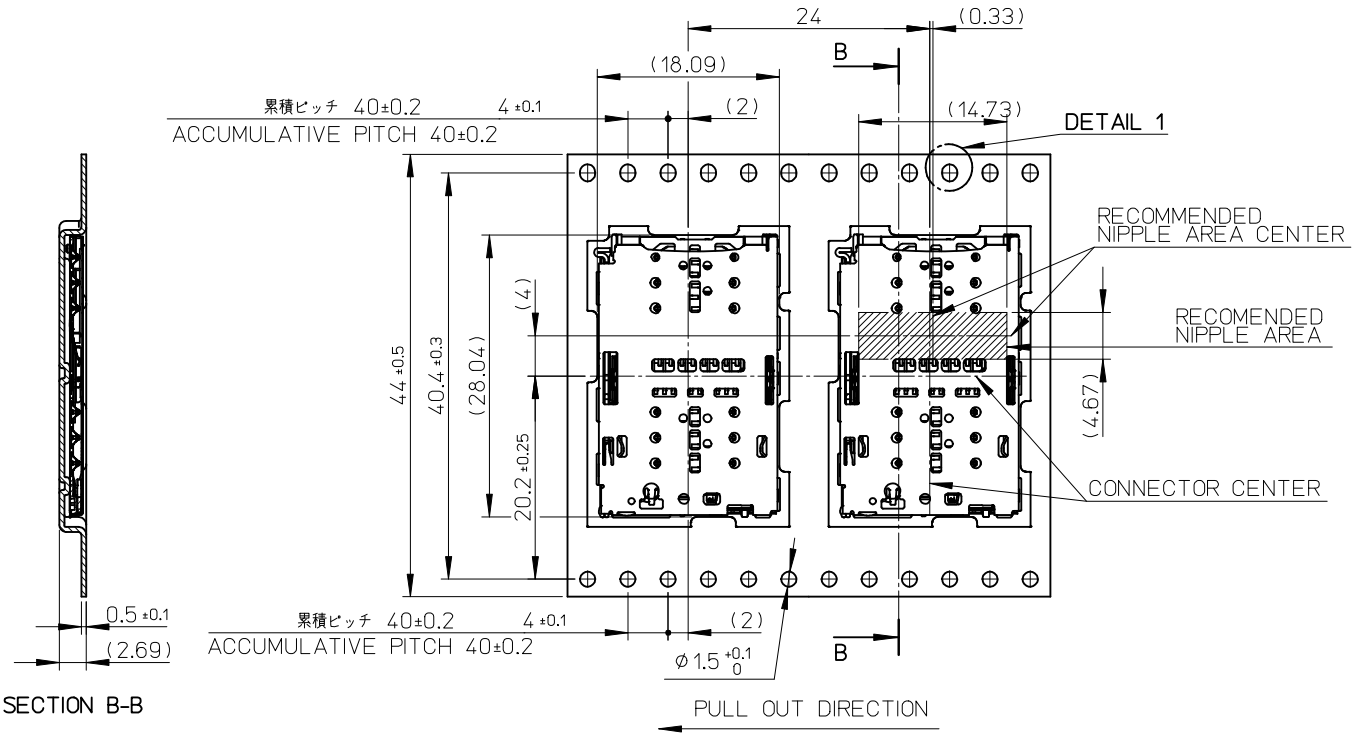


3. 材料 MATERIAL

キャリアテープ (CARRIER TAPE): ポリスチレン (POLYSTYRENE)
 トップテープ (TOP TAPE): PET, PE, OTHER
 リール (REEL): ポリスチレン (PS) <リサイクル材含む>
 POLYSTYRENE(PS)<RECYCLE MATERIAL CONTAINED>

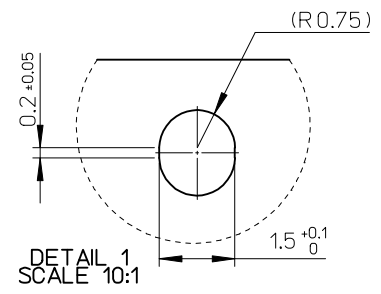
5053302091	6+8+6
EMBOSSD PACKAGE	
ORDER NO.	CIRCUIT
CONNECTOR SERIES NO. 505330****	

RELEASED EC NO: J2016-0072 DRWN:TKON 2015/07/23 CHKD: APPR:NUKITA 2015/07/24	GENERAL TOLERANCES (UNLESS SPECIFIED)		DIMENSION STYLE MM ONLY		SCALE 1:1	DESIGN UNITS METRIC	THIRD ANGLE PROJECTION
	0.25 UNDER	±0.03	DRAWN BY DATE		TITLE		
	0.25 OVER 0.5 UNDER	±0.05	TKON 2015/05/21		3IN2 BAR-PUSH TRAY TYPE EMBOSSD PACKAGE (DUAL NSIM / NSIM+MSD)		
	0.5 OVER 1.0 UNDER	±0.1	CHECKED BY DATE				
1.0 OVER 10 UNDER	±0.2	SMARUYAMA 2015/05/21					
10 OVER 30 UNDER	±0.25	APPROVED BY DATE		DOCUMENT NO.		SHEET NO.	
30 OVER	±0.3	NUKITA 2015/07/24		SD-505330-002		1 OF 2	
ANGULAR ±1 °		MATERIAL NO.		SEE TABLE			
DRAFT WHERE APPLICABLE MUST REMAIN WITHIN DIMENSIONS		SIZE A3	THIS DRAWING CONTAINS INFORMATION THAT IS PROPRIETARY TO MOLEX INCORPORATED AND SHOULD NOT BE USED WITHOUT WRITTEN PERMISSION				



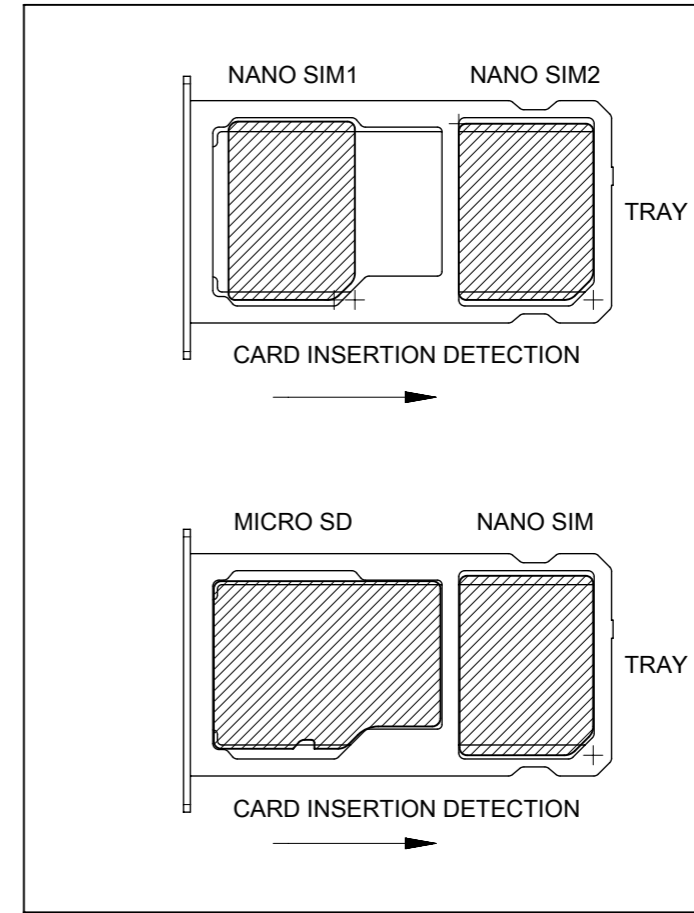
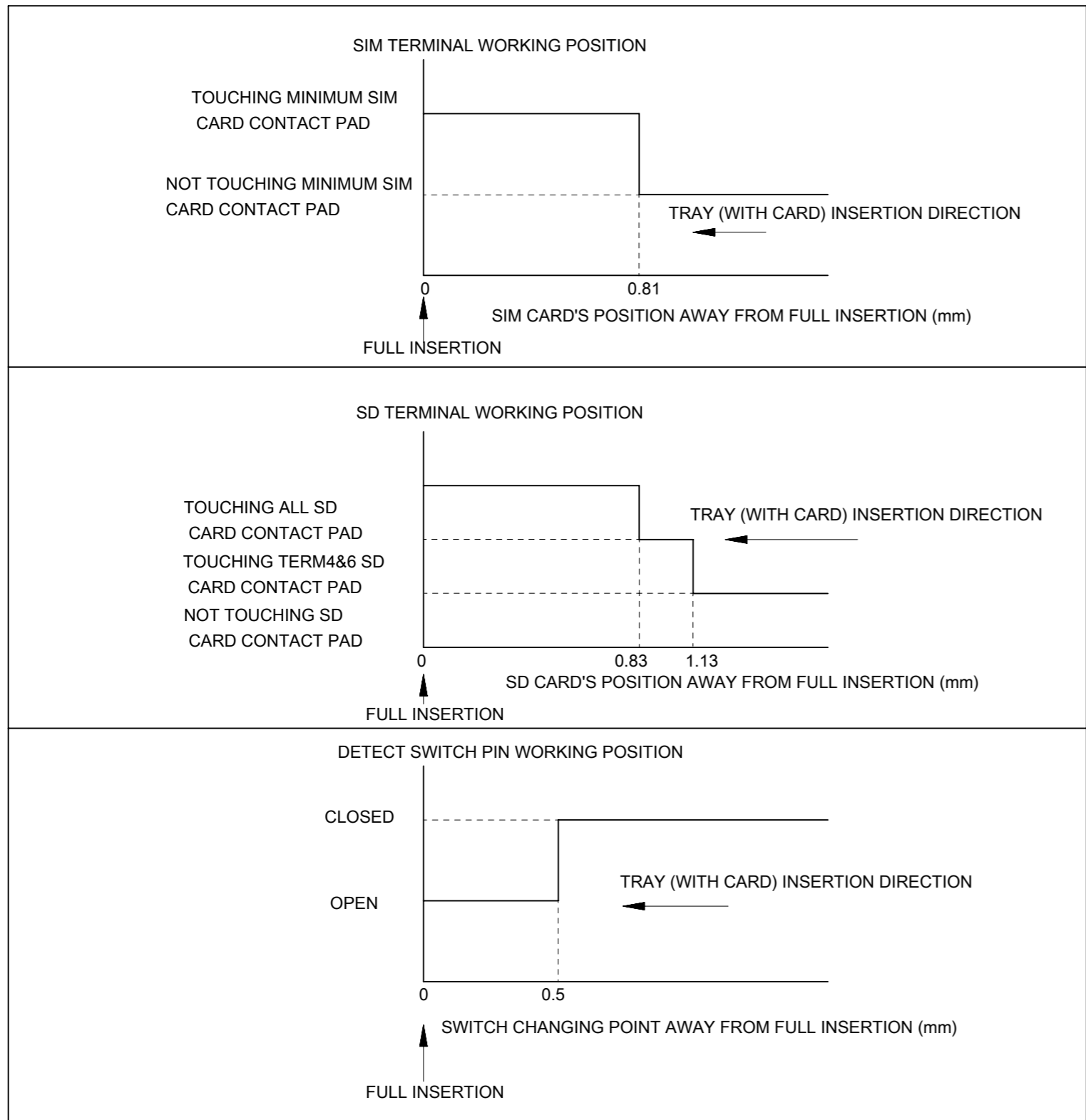
SECTION B-B

DIRECTION OF CONNECTOR IN EMBOSSED TAPE

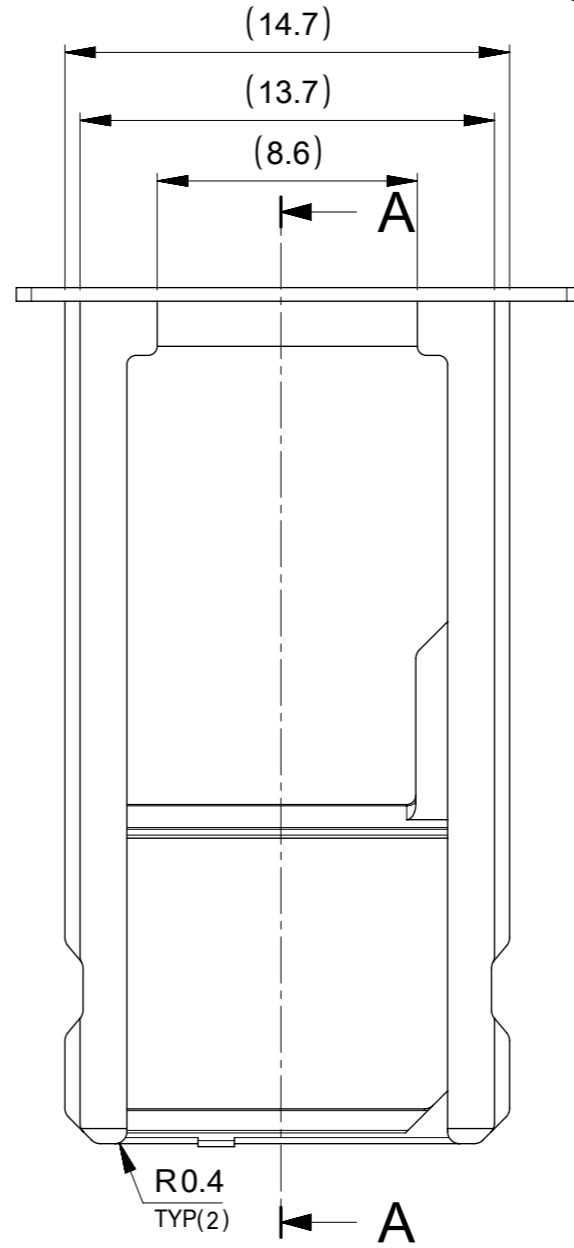
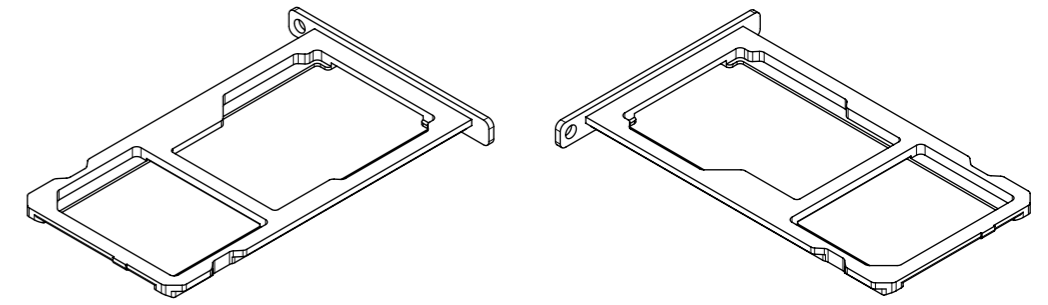
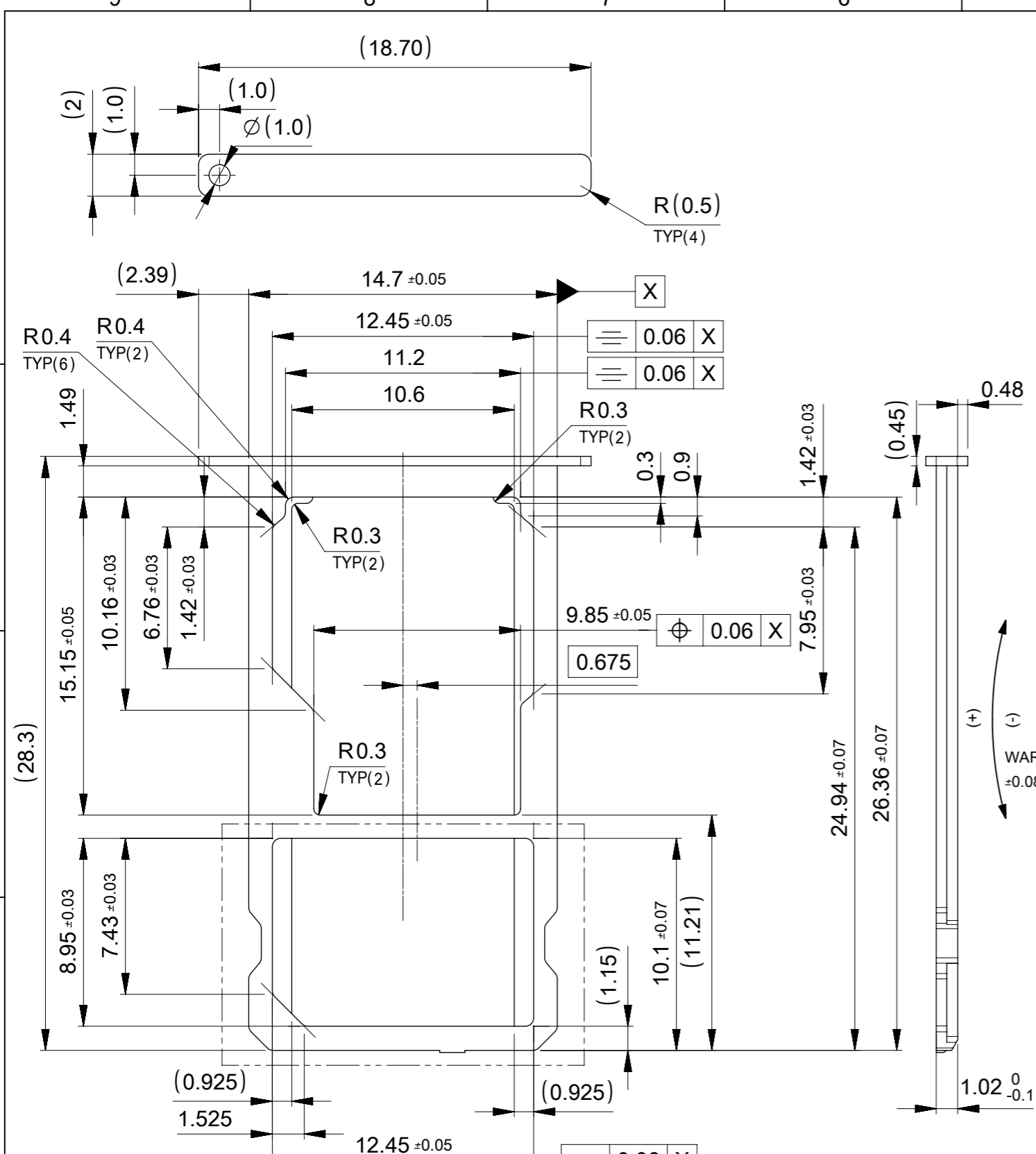


DETAIL 1
SCALE 10:1

SEE SHEET 1 EC NO: J2016-0072 DRWN:TKON 2015/07/23 CHKD: APPR: NUKITA 2015/07/24	GENERAL TOLERANCES (UNLESS SPECIFIED)		DIMENSION STYLE MM ONLY		SCALE 2:1	DESIGN UNITS METRIC	THIRD ANGLE PROJECTION
	0.25 UNDER	±0.03	DRAWN BY	DATE	TITLE		
	0.25 OVER 0.5 UNDER	±0.05	TKON	2015/05/21	3IN2 BAR-PUSH TRAY TYPE EMBOSSED PACKAGE (DUAL NSIM / NSIM+MSD)		
	0.5 OVER 1.0 UNDER	±0.1	CHECKED BY	DATE	molex DOCUMENT NO. SD-505330-002 SHEET NO. 2 OF 2		
	1.0 OVER 30 UNDER	±0.2	SMARUYAMA	2015/05/21			
30 OVER	±0.3	APPROVED BY	DATE	MATERIAL NO.			
ANGULAR ±1 °		NUKITA	2015/07/24	SEE SHEET 1			
DRAFT WHERE APPLICABLE MUST REMAIN WITHIN DIMENSIONS		SIZE A3	THIS DRAWING CONTAINS INFORMATION THAT IS PROPRIETARY TO MOLEX INCORPORATED AND SHOULD NOT BE USED WITHOUT WRITTEN PERMISSION				



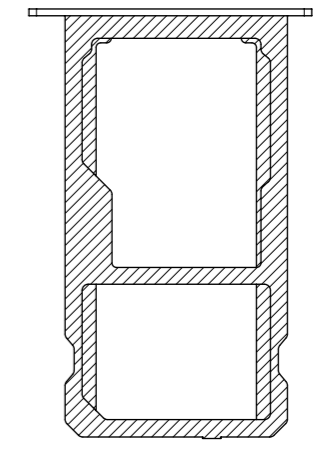
THIS DRAWING CONTAINS INFORMATION THAT IS PROPRIETARY TO MOLEX ELECTRONIC TECHNOLOGIES, LLC AND SHOULD NOT BE USED WITHOUT WRITTEN PERMISSION													
QUALITY SYMBOLS		GENERAL TOLERANCES (UNLESS SPECIFIED)				DIMENSION UNITS		SCALE		molex [®]			
FA	= 0	ANGULAR TOL ± 3.0 °				MM		2:1					
FE	= 0	4 PLACES ± 0.03				DRWN BY		DATE		3IN2 BAR-PUSH TRAY TYPE CONNECTOR ASSY			
FP	= 0	3 PLACES ± 0.03				YHONDA01		2016/06/29					
▼	= 0	2 PLACES ± 0.05				CHK'D BY		DATE		PRODUCT CUSTOMER DRAWING			
∇	= 0	1 PLACE ± 0.1				SMARUYAMA		2016/07/14					
⊗	= 0	0 PLACES ± 0.2				APPR BY		DATE		SERIES MATERIAL NUMBER CUSTOMER			
■	= 0	DRAFT WHERE APPLICABLE MUST REMAIN WITHIN DIMENSIONS				TKUSUHARA01		2016/07/27					505330
∇	= 0	EC NO: 106554		REDRAWN		DRAWING SIZE		THIRD ANGLE PROJECTION		DOCUMENT NUMBER			
		A		REV		A3		THIRD ANGLE PROJECTION		5053302011	DOC TYPE	DOC PART	SHEET NUMBER
		A		REV		A3		THIRD ANGLE PROJECTION		5053302011	PSD	000	2 OF 5



APPLICABLE MIM TRAY (REFERENCE ONLY)

TOLERANCE: ±0.08
 SURFACE ROUGHNESS: Ra=1um MAX.
 MATERIAL: SUS630
 FINISHED: INSULATION PLATING

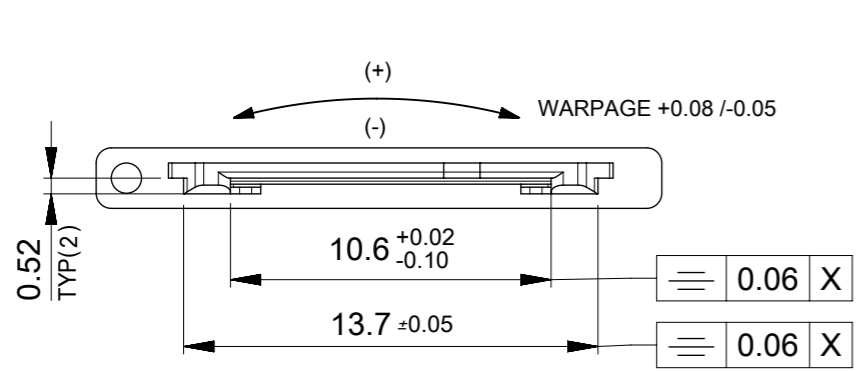
[*1]: DIM. THAT INCLUDING WARPAGE



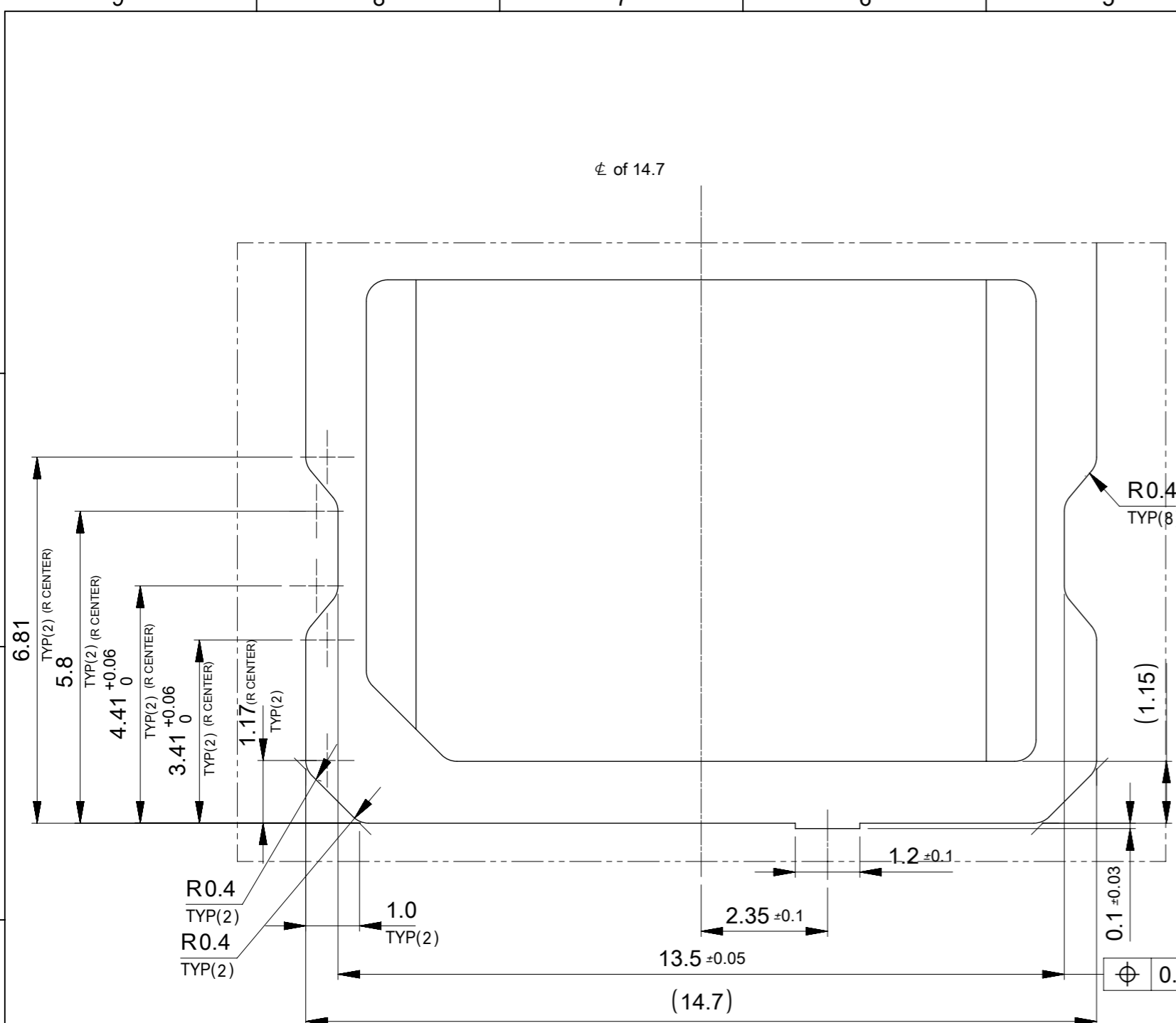
INSULATION PLATING AREA

SCALE 2:1

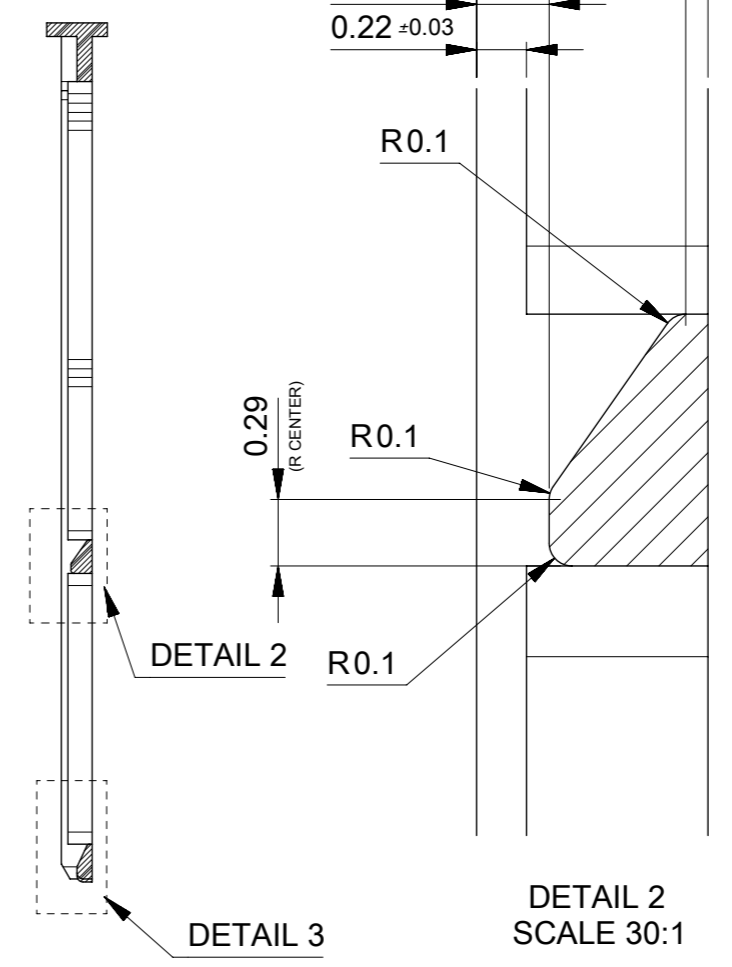
DETAIL 1



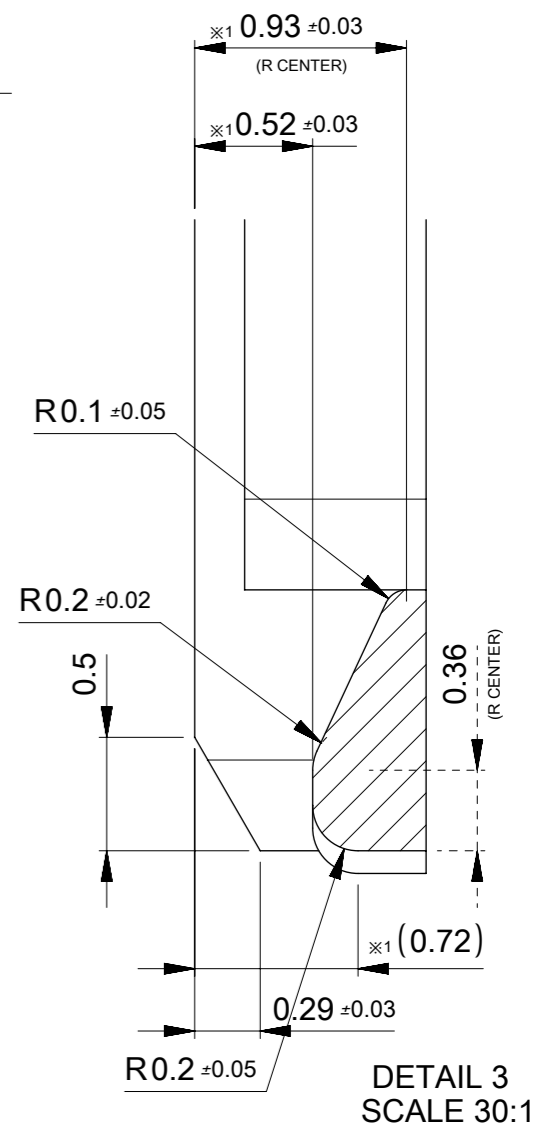
THIS DRAWING CONTAINS INFORMATION THAT IS PROPRIETARY TO MOLEX ELECTRONIC TECHNOLOGIES, LLC AND SHOULD NOT BE USED WITHOUT WRITTEN PERMISSION									
QUALITY SYMBOLS	EC NO: 106554 DRWN: YHONDA01 CHK'D: SMARUYAMA APPR: TKUSUHARA01	REDRAWN 2016/06/29 2016/07/14 2016/07/27	GENERAL TOLERANCES (UNLESS SPECIFIED)		DIMENSION UNITS	SCALE			
			ANGULAR TOL ± 3.0 ° 4 PLACES ± 0.03 3 PLACES ± 0.03 2 PLACES ± 0.05 1 PLACE ± 0.1 0 PLACES ± 0.2		MM	4:1			
$\nabla_A = 0$ $\nabla_B = 0$ $\nabla_C = 0$ $\nabla_D = 0$ $\nabla_E = 0$ $\nabla_F = 0$ $\nabla_G = 0$ $\nabla_H = 0$ $\nabla_I = 0$ $\nabla_J = 0$ $\nabla_K = 0$ $\nabla_L = 0$	YHONDA01 SMARUYAMA TKUSUHARA01		DRWN BY: YHONDA01 DATE: 2016/06/29 CHK'D BY: SMARUYAMA DATE: 2016/07/14 APPR BY: TKUSUHARA01 DATE: 2016/07/27		3IN2 BAR-PUSH TRAY TYPE CONNECTOR ASSY				
DRAFT WHERE APPLICABLE MUST REMAIN WITHIN DIMENSIONS							PRODUCT CUSTOMER DRAWING		
DRAWING SIZE: A3 THIRD ANGLE PROJECTION		SERIES: 505330 MATERIAL NUMBER: SEE TABLE IN SHEET 1 CUSTOMER: GENERAL		DOCUMENT NUMBER: 5053302011 DOC TYPE: PSD DOC PART: 000 SHEET NUMBER: 4 OF 5					



DETAIL 1
SCALE 10:1



SECTION A-A
SCALE 4:1



DETAIL 2
SCALE 30:1

DETAIL 3
SCALE 30:1

Molex shall not be responsible for any infringement to the extent such infringement is the result of (a) use of the Product(s) in combination with any other products not provided by Molex if the infringement would not have occurred but for such combination, (b) any alteration of modification of the Product(s) not undertaken or authorized by Molex if the infringement would not have occurred but for such alteration or modification, (c) Molex's compliance with Buyer's specifications if the infringement would not have occurred but for such compliance, or (d) Buyer's failure to comply with Molex's instructions regarded as necessary to render the Product(s) non-infringing if the infringement would not have occurred if Buyer would have complied with Molex's instructions.

THIS DRAWING CONTAINS INFORMATION THAT IS PROPRIETARY TO MOLEX ELECTRONIC TECHNOLOGIES, LLC AND SHOULD NOT BE USED WITHOUT WRITTEN PERMISSION												
QUALITY SYMBOLS		GENERAL TOLERANCES (UNLESS SPECIFIED)				DIMENSION UNITS		SCALE				
FA = 0 FE = 0 FB = 0 FC = 0 FD = 0 FE = 0 FF = 0 FG = 0 FH = 0 FI = 0		ANGULAR TOL ± 3.0 ° 4 PLACES ± 0.03 3 PLACES ± 0.03 2 PLACES ± 0.05 1 PLACE ± 0.1 0 PLACES ± 0.2				MM		5:1				
REDRAWN EC NO: 106554 DRWN: YHONDA01 CHK'D: SMARUYAMA APPR: TKUSUHARA01		DRAFT WHERE APPLICABLE MUST REMAIN WITHIN DIMENSIONS				DRWN BY YHONDA01		DATE 2016/06/29		3IN2 BAR-PUSH TRAY TYPE CONNECTOR ASSY		
A REV		A3				THIRDS ANGLE PROJECTION		CHK'D BY SMARUYAMA				
PRODUCT CUSTOMER DRAWING		SERIES 505330		MATERIAL NUMBER SEE TABLE IN SHEET 1		CUSTOMER GENERAL			DOCUMENT NUMBER 5053302011			
RELEASE STATUS P1		RELEASE DATE 27.07.2016		09:29:24		DOC TYPE PSD		DOC PART 000		SHEET NUMBER 5 OF 5		