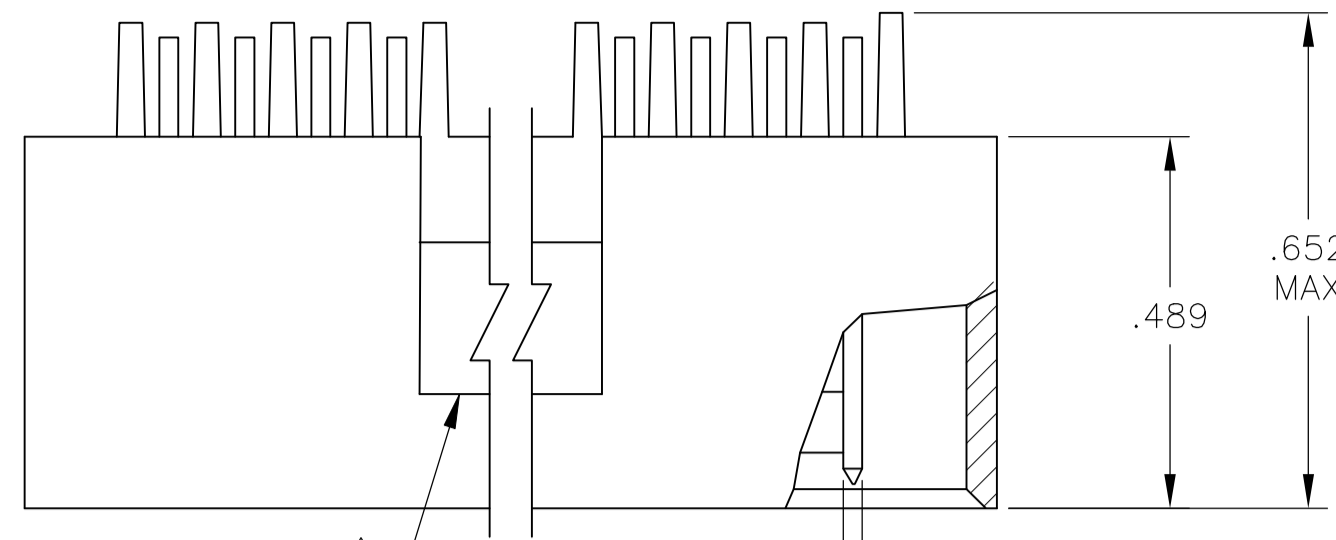
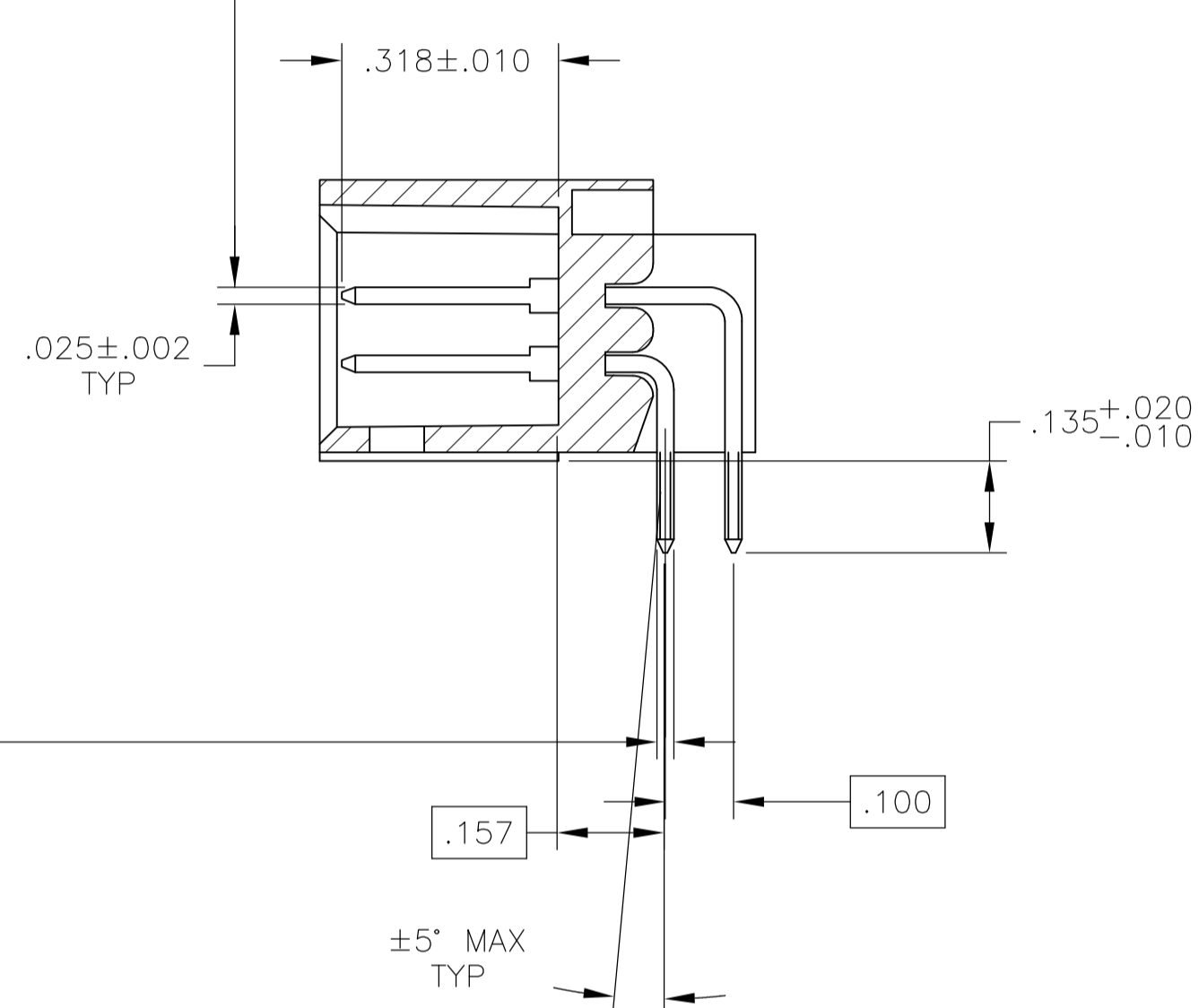
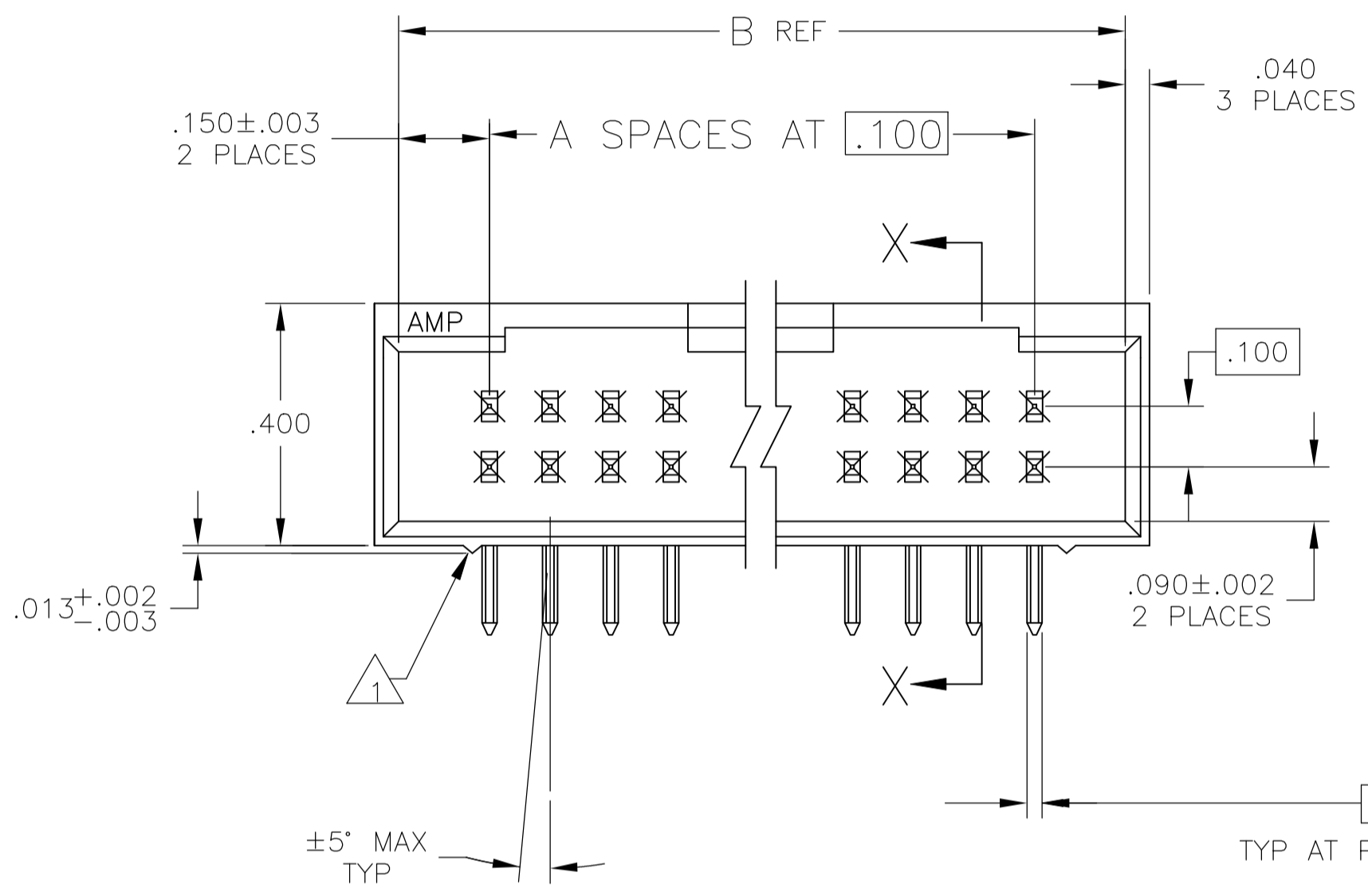


THIS DRAWING IS UNPUBLISHED. RELEASED FOR PUBLICATION. ALL RIGHTS RESERVED.
 © COPYRIGHT - TE Connectivity Ltd.

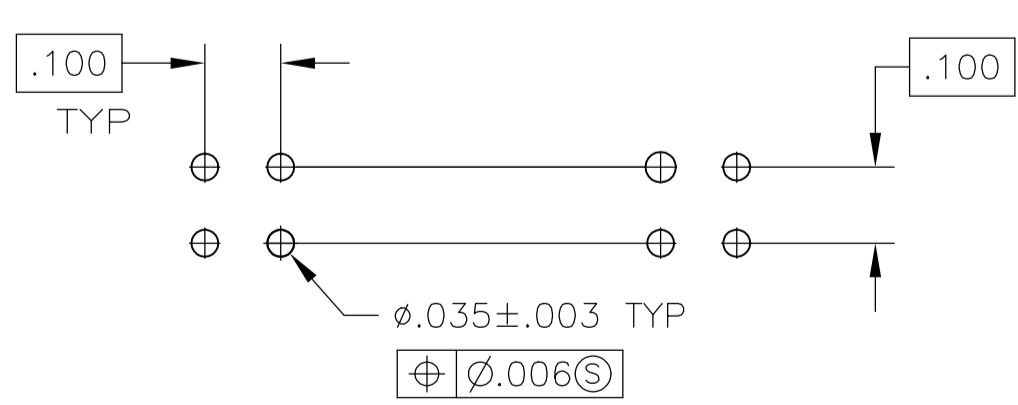
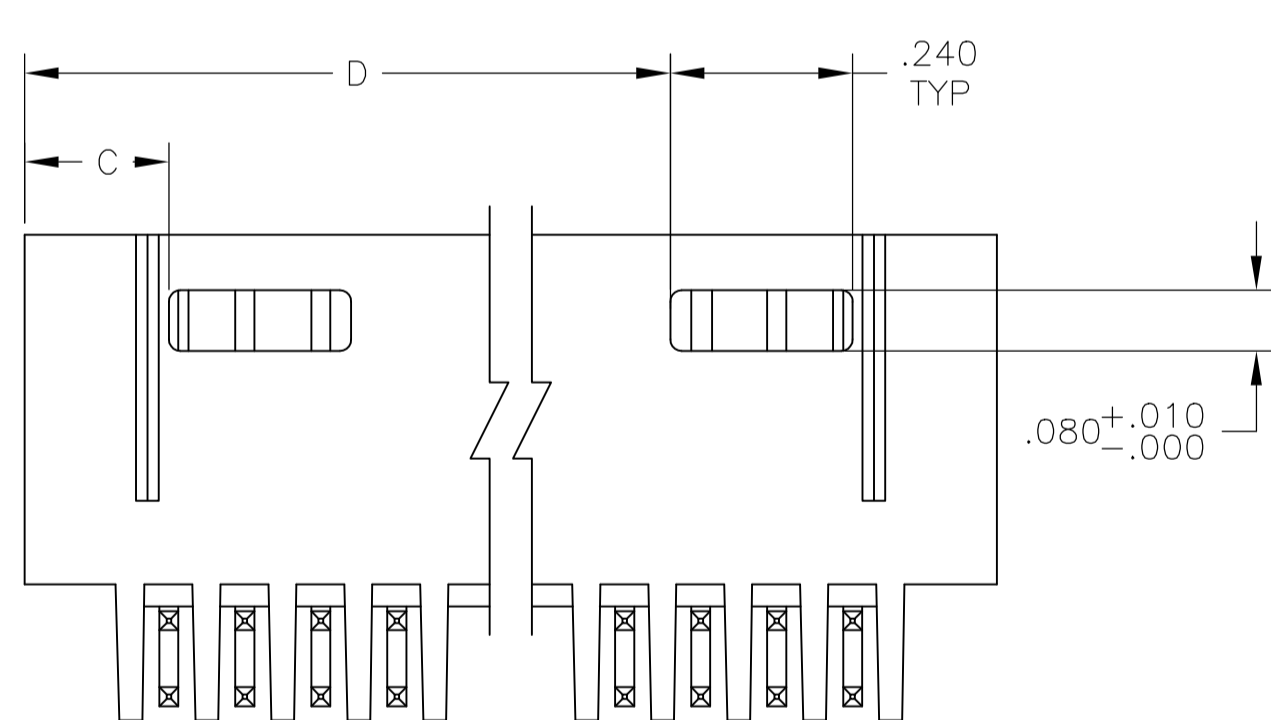
| REVISIONS | | | | |
|-----------|-----|--|-----------|-------|
| P | LTR | DESCRIPTION | DATE | APPD |
| M2 | | PART STATUS UPDATED IN PART LIST TABLE | 16FEB2018 | SD PS |



Φ .015 @
TYP AT POST TIPS



SECTION X-X



RECOMMENDED HOLE LAYOUT

- △ 1 STAND-OFFS:
8 THRU 18 POS (2) REQD LOCATED AS SHOWN OUTBOARD OF END CIRCUITS
20 THRU 38 POS (3) REQD LOCATED OUTBOARD OF END CIRCUITS PLUS (1) CENTERED
40 THRU 72 POS (4) REQD LOCATED OUTBOARD OF END CIRCUITS WITH (2) EVENLY SPACED
WITHIN THE REMAINING LENGTH
- △ 2 OBSOLETE PART NUMBER.
- △ 3 ACCESS SLOT.
- △ 4 CONTACTS: .000100-.000200 BRIGHT TIN-LEAD OVER .000050 NICKEL
- △ 5 CONTACTS: .000100-.000200 MATTE TIN OVER .000050 NICKEL
- △ 6 OBSOLETE PARTS: OBSOLETE CIS STREAMLINING PER D.RENAUD/D.SINISI

| | | | | | | | | |
|-----|----------|-----|-------|------|-------|----|----|-----------|
| △ 6 | OBSOLETE | △ 5 | 3.490 | .190 | 3.800 | 35 | 72 | 8-87577-3 |
| △ 6 | OBSOLETE | △ 5 | 3.390 | .190 | 3.700 | 34 | 70 | 8-87577-2 |
| △ 6 | OBSOLETE | △ 5 | 3.290 | .190 | 3.600 | 33 | 68 | 8-87577-1 |
| △ 6 | OBSOLETE | △ 5 | 3.190 | .190 | 3.500 | 32 | 66 | 8-87577-0 |
| △ 6 | OBSOLETE | △ 5 | 3.090 | .190 | 3.400 | 31 | 64 | 7-87577-9 |
| △ 6 | OBSOLETE | △ 5 | 2.990 | .190 | 3.300 | 30 | 62 | 7-87577-8 |
| △ 6 | OBSOLETE | △ 5 | 2.890 | .190 | 3.200 | 29 | 60 | 7-87577-7 |
| △ 6 | OBSOLETE | △ 5 | 2.790 | .190 | 3.100 | 28 | 58 | 7-87577-6 |
| △ 6 | OBSOLETE | △ 5 | 2.690 | .190 | 3.000 | 27 | 56 | 7-87577-5 |
| △ 6 | OBSOLETE | △ 5 | 2.590 | .190 | 2.900 | 26 | 54 | 7-87577-4 |
| △ 6 | OBSOLETE | △ 5 | 2.490 | .190 | 2.800 | 25 | 52 | 7-87577-3 |
| △ 6 | OBSOLETE | △ 5 | 2.390 | .190 | 2.700 | 24 | 50 | 7-87577-2 |
| △ 6 | OBSOLETE | △ 5 | 2.290 | .190 | 2.600 | 23 | 48 | 7-87577-1 |
| △ 6 | OBSOLETE | △ 5 | 2.190 | .190 | 2.500 | 22 | 46 | 7-87577-0 |
| △ 6 | OBSOLETE | △ 5 | 2.090 | .190 | 2.400 | 21 | 44 | 6-87577-9 |
| △ 6 | OBSOLETE | △ 5 | 1.990 | .190 | 2.300 | 20 | 42 | 6-87577-8 |
| △ 6 | OBSOLETE | △ 5 | 1.890 | .190 | 2.200 | 19 | 40 | 6-87577-7 |
| △ 6 | OBSOLETE | △ 5 | 1.790 | .190 | 2.100 | 18 | 38 | 6-87577-6 |
| △ 6 | OBSOLETE | △ 5 | 1.690 | .190 | 2.000 | 17 | 36 | 6-87577-5 |
| △ 6 | OBSOLETE | △ 5 | 1.590 | .190 | 1.900 | 16 | 34 | 6-87577-4 |
| △ 6 | OBSOLETE | △ 5 | 1.490 | .190 | 1.800 | 15 | 32 | 6-87577-3 |
| △ 6 | OBSOLETE | △ 5 | 1.390 | .190 | 1.700 | 14 | 30 | 6-87577-2 |
| △ 6 | OBSOLETE | △ 5 | 1.290 | .190 | 1.600 | 13 | 28 | 6-87577-1 |
| △ 6 | OBSOLETE | △ 5 | 1.190 | .190 | 1.500 | 12 | 26 | 6-87577-0 |
| △ 6 | OBSOLETE | △ 5 | 1.090 | .190 | 1.400 | 11 | 24 | 5-87577-9 |
| △ 6 | OBSOLETE | △ 5 | .990 | .190 | 1.300 | 10 | 22 | 5-87577-8 |
| △ 6 | OBSOLETE | △ 5 | .890 | .190 | 1.200 | 9 | 20 | 5-87577-7 |
| △ 6 | OBSOLETE | △ 5 | .490 | .190 | 1.100 | 8 | 18 | 5-87577-6 |
| △ 6 | OBSOLETE | △ 5 | .390 | .190 | 1.000 | 7 | 16 | 5-87577-5 |
| △ 6 | OBSOLETE | △ 5 | .290 | .190 | .900 | 6 | 14 | 5-87577-4 |
| △ 6 | OBSOLETE | △ 5 | .290 | .190 | .800 | 5 | 12 | 5-87577-3 |
| △ 6 | OBSOLETE | △ 5 | .290 | .190 | .700 | 4 | 10 | 5-87577-2 |
| △ 6 | OBSOLETE | △ 5 | .190 | .190 | .600 | 3 | 8 | 5-87577-1 |
| △ 6 | OBSOLETE | △ 4 | 3.490 | .190 | 3.800 | 35 | 72 | 3-87577-β |
| △ 6 | OBSOLETE | △ 4 | 3.390 | .190 | 3.700 | 34 | 70 | 3-87577-2 |
| △ 6 | OBSOLETE | △ 4 | 3.290 | .190 | 3.600 | 33 | 68 | 3-87577-1 |
| △ 6 | OBSOLETE | △ 4 | 3.190 | .190 | 3.500 | 32 | 66 | 3-87577-0 |
| △ 6 | OBSOLETE | △ 4 | 3.090 | .190 | 3.400 | 31 | 64 | 2-87577-9 |
| △ 6 | OBSOLETE | △ 4 | 2.990 | .190 | 3.300 | 30 | 62 | 2-87577-8 |
| △ 6 | OBSOLETE | △ 4 | 2.890 | .190 | 3.200 | 29 | 60 | 2-87577-7 |
| △ 6 | OBSOLETE | △ 4 | 2.790 | .190 | 3.100 | 28 | 58 | 2-87577-6 |
| △ 6 | OBSOLETE | △ 4 | 2.690 | .190 | 3.000 | 27 | 56 | 2-87577-5 |
| △ 6 | OBSOLETE | △ 4 | 2.590 | .190 | 2.900 | 26 | 54 | 2-87577-4 |
| △ 6 | OBSOLETE | △ 4 | 2.490 | .190 | 2.800 | 25 | 52 | 2-87577-3 |
| △ 6 | OBSOLETE | △ 4 | 2.390 | .190 | 2.700 | 24 | 50 | 2-87577-2 |
| △ 6 | OBSOLETE | △ 4 | 2.290 | .190 | 2.600 | 23 | 48 | 2-87577-1 |
| △ 6 | OBSOLETE | △ 4 | 2.190 | .190 | 2.500 | 22 | 46 | 2-87577-0 |
| △ 6 | OBSOLETE | △ 4 | 2.090 | .190 | 2.400 | 21 | 44 | 1-87577-9 |
| △ 6 | OBSOLETE | △ 4 | 1.990 | .190 | 2.300 | 20 | 42 | 1-87577-8 |
| △ 6 | OBSOLETE | △ 4 | 1.890 | .190 | 2.200 | 19 | 40 | 1-87577-7 |
| △ 6 | OBSOLETE | △ 4 | 1.790 | .190 | 2.100 | 18 | 38 | 1-87577-6 |
| △ 6 | OBSOLETE | △ 4 | 1.690 | .190 | 2.000 | 17 | 36 | 1-87577-5 |
| △ 6 | OBSOLETE | △ 4 | 1.590 | .190 | 1.900 | 16 | 34 | 1-87577-4 |
| △ 6 | OBSOLETE | △ 4 | 1.490 | .190 | 1.800 | 15 | 32 | 1-87577-3 |
| △ 6 | OBSOLETE | △ 4 | 1.390 | .190 | 1.700 | 14 | 30 | 1-87577-2 |
| △ 6 | OBSOLETE | △ 4 | 1.290 | .190 | 1.600 | 13 | 28 | 1-87577-1 |
| △ 6 | OBSOLETE | △ 4 | 1.190 | .190 | 1.500 | 12 | 26 | 1-87577-0 |
| △ 6 | OBSOLETE | △ 4 | 1.090 | .190 | 1.400 | 11 | 24 | 87577-9 |
| △ 6 | OBSOLETE | △ 4 | .990 | .190 | 1.300 | 10 | 22 | 87577-8 |
| △ 6 | OBSOLETE | △ 4 | .890 | .190 | 1.200 | 9 | 20 | 87577-7 |
| △ 6 | OBSOLETE | △ 4 | .490 | .190 | 1.100 | 8 | 18 | 87577-6 |
| △ 6 | OBSOLETE | △ 4 | .390 | .190 | 1.000 | 7 | 16 | 87577-5 |
| △ 6 | OBSOLETE | △ 4 | .390 | .190 | .900 | 6 | 14 | 87577-4 |
| △ 6 | OBSOLETE | △ 4 | .290 | .190 | .800 | 5 | 12 | 87577-3 |
| △ 6 | OBSOLETE | △ 4 | .290 | .190 | .700 | 4 | 10 | 87577-2 |
| △ 6 | OBSOLETE | △ 4 | .190 | .190 | .600 | 3 | 8 | 87577-1 |

| PLATING | D | C | B | A | NO OF POSN | ASSEMBLY PART NUMBER |
|---------|---|---|---|---|------------|----------------------|
| | | | | | | |

THIS DRAWING IS A CONTROLLED DOCUMENT. DWN J GALLUCCI 11-10-89
 DW R ELICKER 25-10-89
 APVD -

DIMENSIONS: INCHES
 0 PLC ± -
 1 PLC ± -
 2 PLC ± -
 3 PLC ± .005
 4 PLC ± -
 ANGLES ± -

TOLERANCES UNLESS OTHERWISE SPECIFIED:
 SEE TABLE

MATERIAL: HOUSING: FLAME RETARDANT THERMOPLASTIC; COLOR-BLACK; CONTACTS: PHOS BRONZE

FINISH: SEE TABLE

WEIGHT: -

SCALE: 4:1

SHEET 1 OF 1

REV M2

NAME: HDR ASSY,MOD II,.100X.100 q
 .025 SQ POST, RT ANGLE
 W/ DETENTS AND STAND-OFFS

SIZE: A1
 CAGE CODE: 00779
 DRAWING NO: 87577

RESTRICTED TO: -

CUSTOMER DRAWING