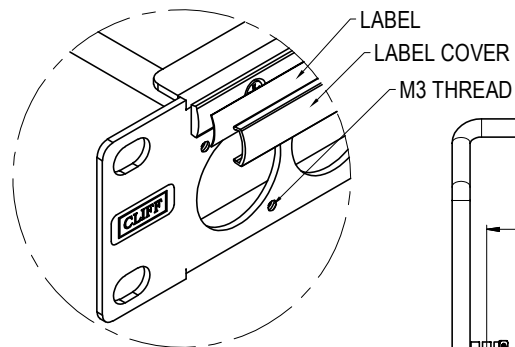
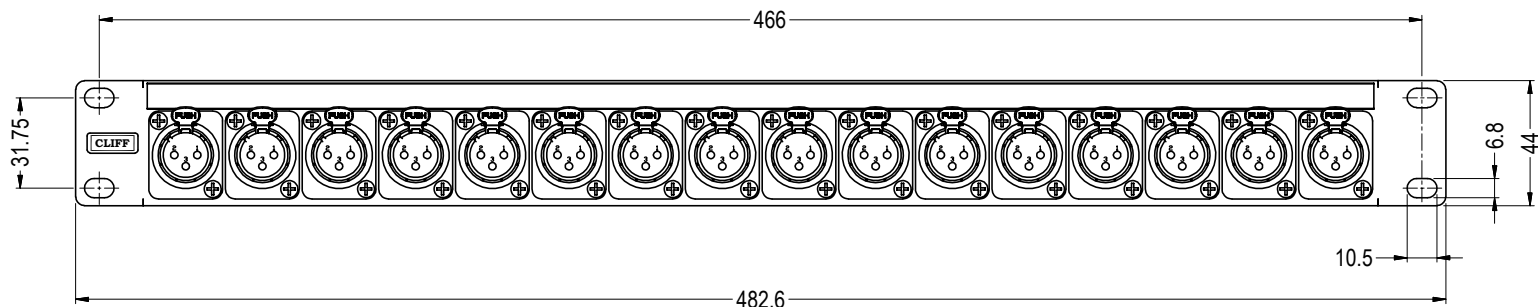
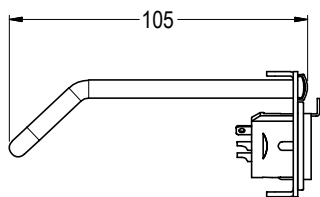
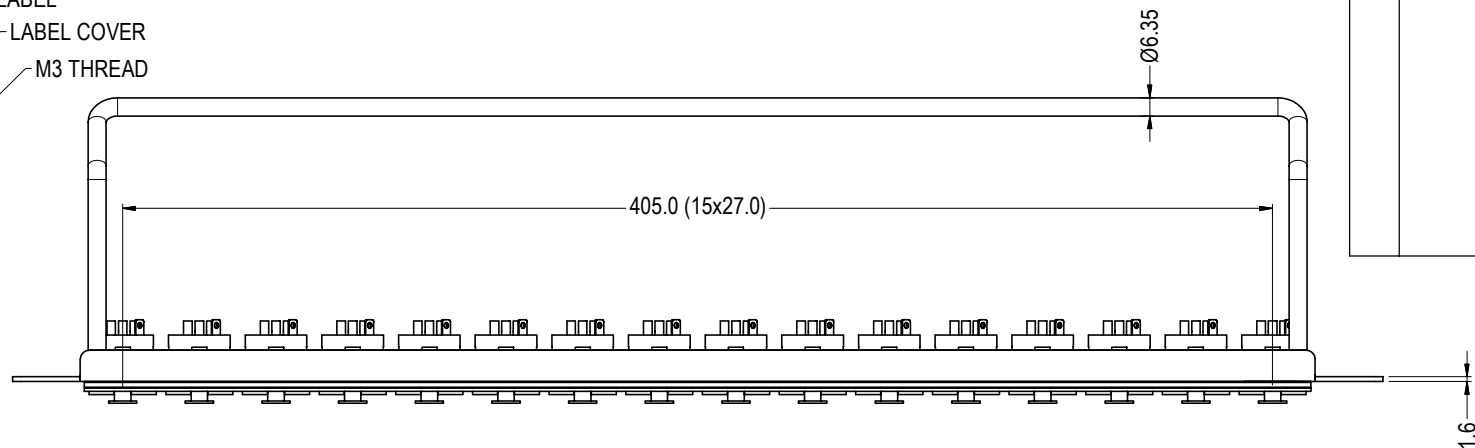


ISS.	AMEND	DATE
1	ISSUED	22/10/18
2	CLIFF LABEL	20/05/19

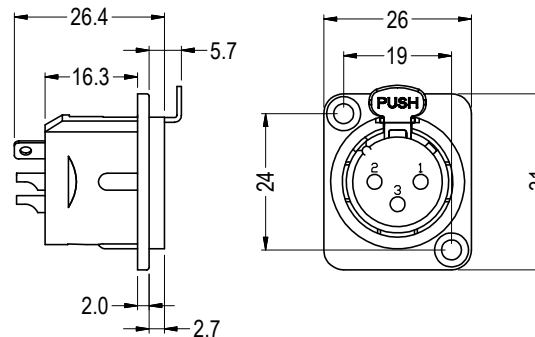


VIEW SHOWING LABEL & LABEL COVER REMOVED



ASSEMBLE:

- 1x CP30151 1U 16x PANEL - M3 HOLES
- 16x FC61900 XLR SOCKET FEMALE 3DCF/BM LATCH



FC61900 - XLR SOCKET FEMALE 3DCF/BM LATCH  
Scale 2:1

**RoHS**  
COMPLIANT

TOLERANCE  
NO DEC. PLACE ±  
1 DEC. PLACE ±  
2 DEC. PLACE ±  
HOLE Ø ±  
ANGLES ±  
UNLESS OTHERWISE STATED

DO NOT SCALE

**Cliff Electronic Components Ltd.**  
76 Holmethorpe Avenue, Holmethorpe Industrial Estate,  
Redhill, Surrey, RH1 2PF, England, UK  
Tel: 01737-771375 Fax: 01737-766012 Website: www.cliffuk.co.uk

DIMENSIONS IN MILLIMETERS UNLESS OTHERWISE STATED. WORK TO DIMENSIONS. REMOVE ALL BURRS. IF IN DOUBT ASK.

3rd ANGLE PROJECTION:

MATERIAL: SEE CP30151 + FC61900 DRAWINGS  
FINISH: BLACK - SEE CP30151 + FC61900 DRAWINGS  
DRAWN: T.J.O. APPROVED: DPJ

TITLE: RACK 16x XLR 3DCF BM FM M3

DRWG. No. **CP30182**

FORM: A4DRWGf