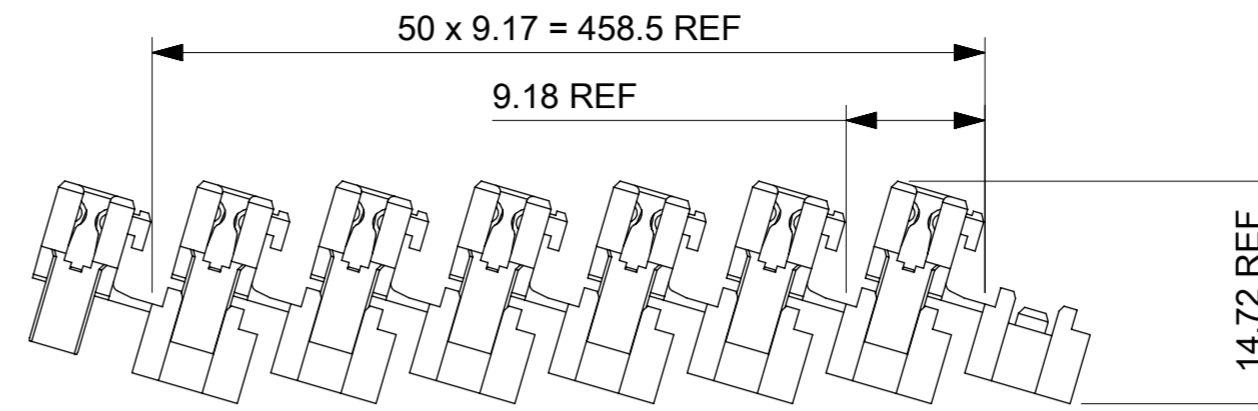
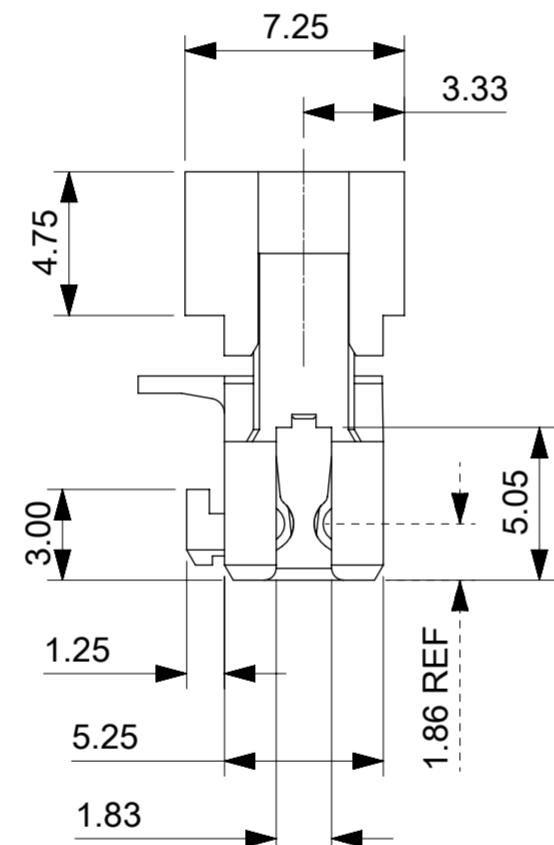
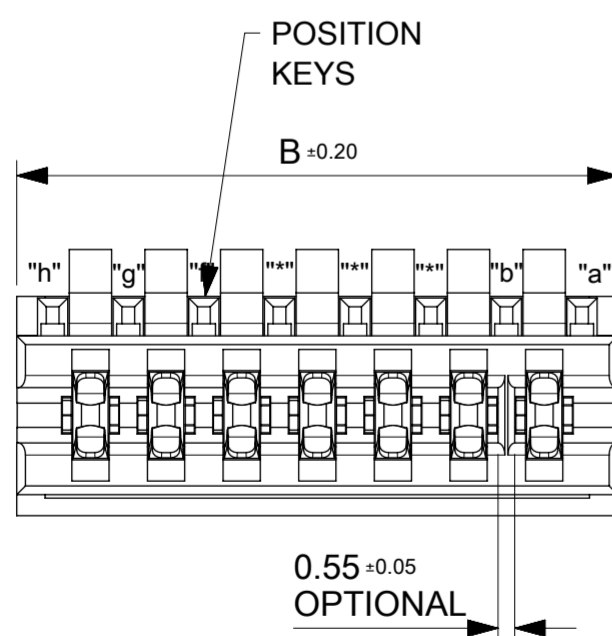
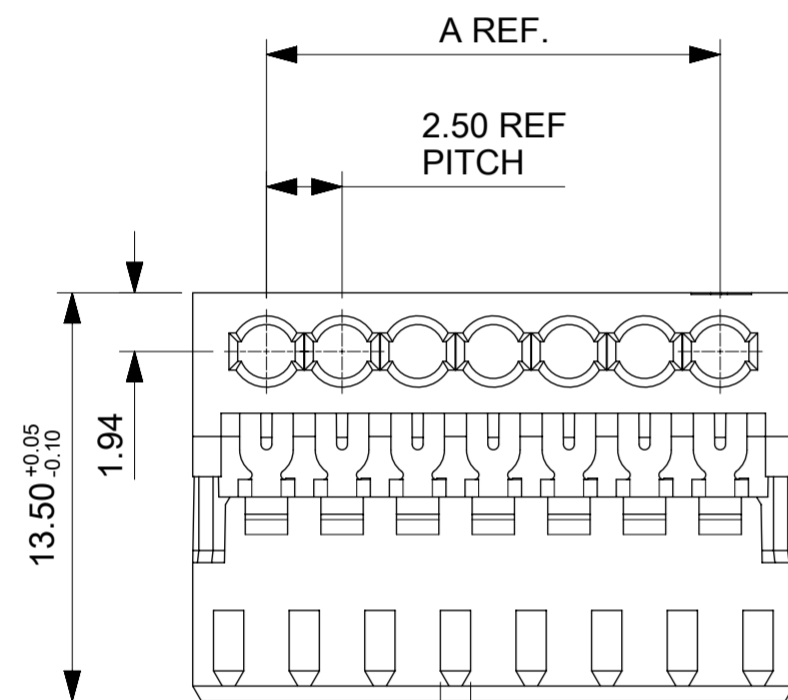
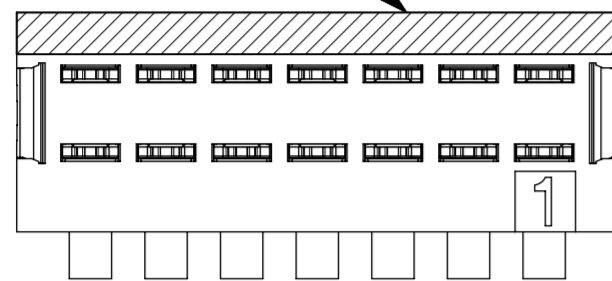
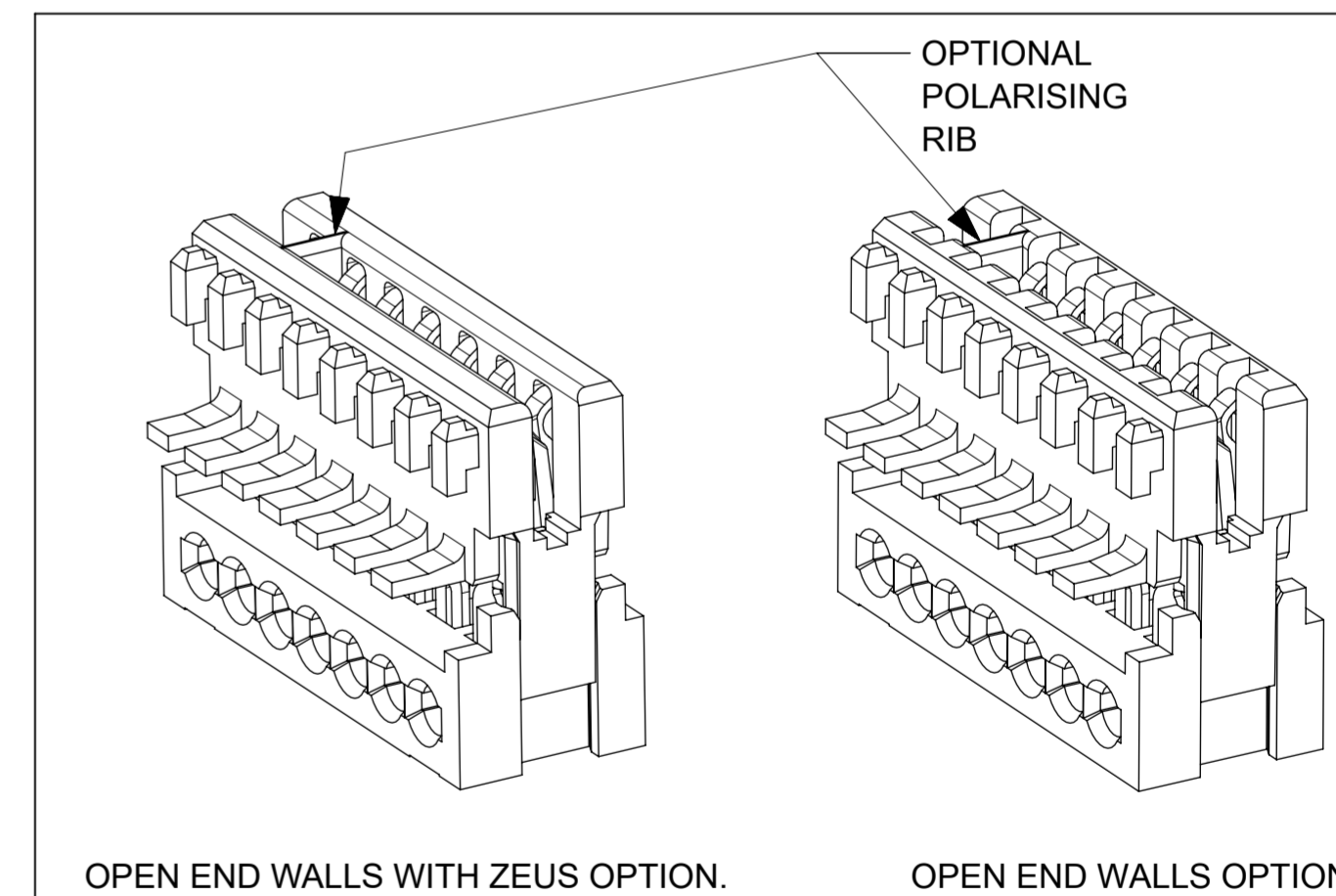


POSITION OF COLOUR STRIPE (see note 3)



SHIPPING ARRANGEMENT

| CCT | A | B |
|-----|------|--------|
| 2 | 2.5 | 7.375 |
| 3 | 5 | 9.875 |
| 4 | 7.5 | 12.375 |
| 5 | 10 | 14.875 |
| 6 | 12.5 | 17.375 |
| 7 | 15 | 19.875 |
| 8 | 17.5 | 22.375 |
| 9 | 20 | 24.875 |
| 10 | 22.5 | 27.375 |
| 11 | 25 | 29.875 |
| 12 | 27.5 | 32.375 |
| 13 | 30 | 34.875 |
| 14 | 32.5 | 37.375 |
| 15 | 35 | 39.875 |
| 16 | 37.5 | 42.375 |
| 17 | 40 | 44.875 |
| 18 | 42.5 | 47.375 |
| 19 | 45 | 49.875 |
| 20 | 47.5 | 52.375 |

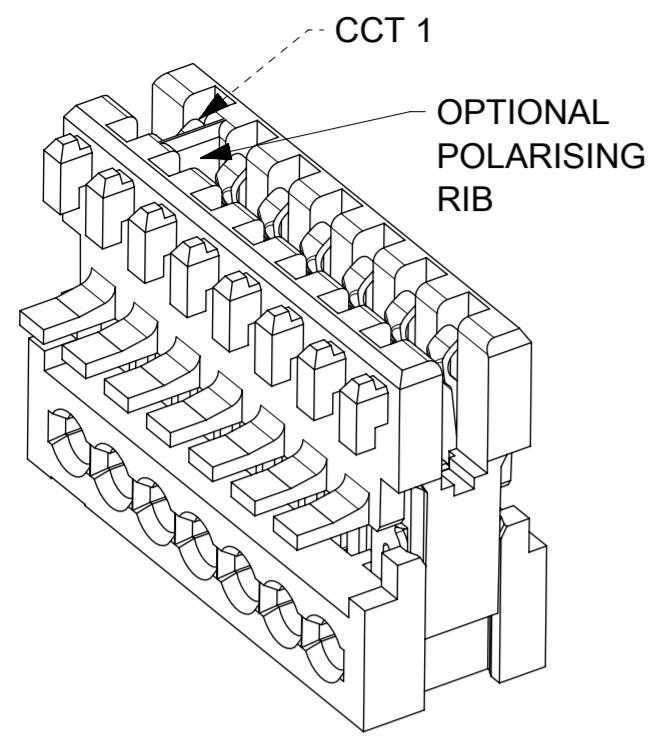


NOTES:

- REFER TO PRODUCT SPECIFICATION: PS-99020-0040.
- MATERIAL: HOUSING -POLYAMIDE 6 (PA6) UL94-V2. COLOUR NATURAL.
TERMINAL: PHOSPHOR BRONZE 0.30 REF. THICK - PLATING HOT TIN DIP.
- COLOUR STRIPE IS OPTIONAL. AVAILABLE IN THE FOLLOWING COLOURS: RED, GREEN, BLUE, ORANGE, BROWN & YELLOW. (BLACK SIGNIFIES CUSTOMER SPECIFIC CONFIGURATION).
- REFER TO PACKAGING SPEC (PK-90871-001)
- REFER TO APPLICATION SPEC (990330008 AS)

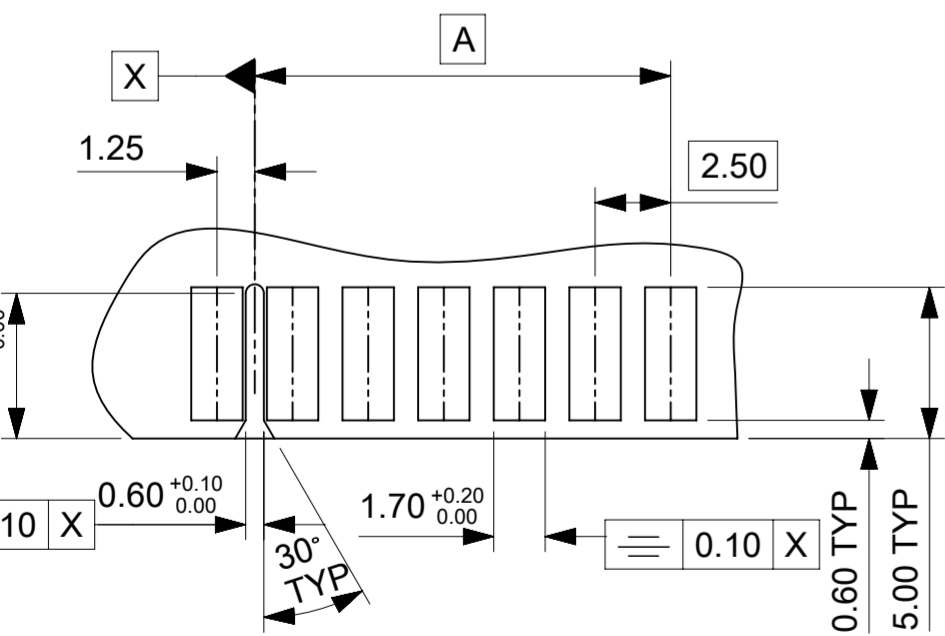
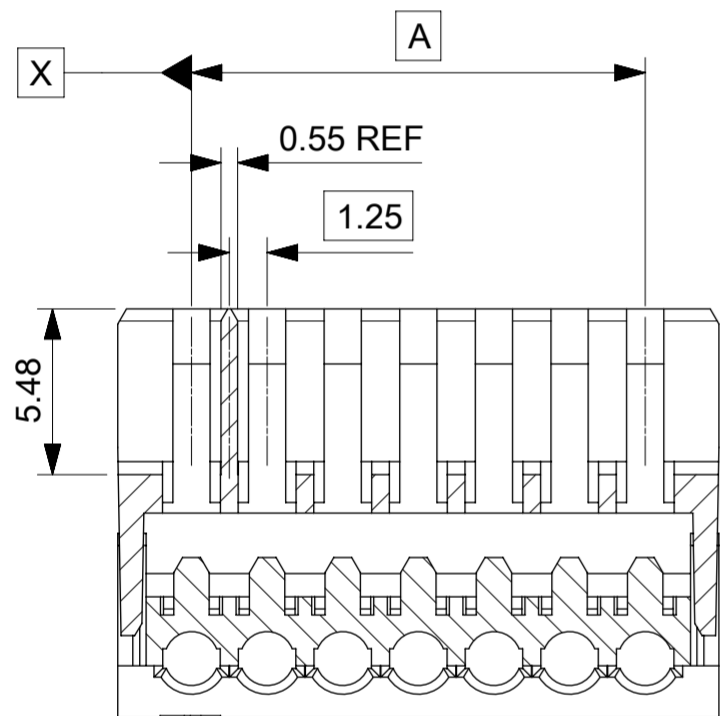
THIS DRAWING CONTAINS INFORMATION THAT IS PROPRIETARY TO MOLEX ELECTRONIC TECHNOLOGIES, LLC AND SHOULD NOT BE USED WITHOUT WRITTEN PERMISSION

| DIMENSION UNITS | SCALE | CURRENT REV DESC: | molex | | | |
|--|--------|---|---|----------------|----------|----------|
| mm | 4:1 | | APPLI-MATE 2.5 FEMALE G.W.T. 750 AND 850 VERSION GF MATERIAL | | | |
| GENERAL TOLERANCES (UNLESS SPECIFIED) | | | PRODUCT CUSTOMER DRAWING | | | |
| ANGULAR TOL | ± 0.5° | EC NO: 675456 | DOCUMENT NUMBER | DOC TYPE | DOC PART | REVISION |
| 4 PLACES | ± | DRWN: MBN02 2021/08/26 | 934660001 | PSD | 000 | AG1 |
| 3 PLACES | ± 0.05 | CHK'D: MBN02 2021/08/26 | | | | |
| 2 PLACES | ± 0.1 | APPR: SDEVITT 2021/09/28 | MATERIAL NUMBER CUSTOMER SHEET NUMBER | | | |
| 1 PLACE | ± 0.2 | INITIAL REVISION: DRWN: CFISHER01 2016/01/11 | SEE TABLE | GENERAL MARKET | 1 OF 11 | |
| 0 PLACES | ± | APPR: MSHANAHAN 2016/02/09 | | | | |
| DRAFT WHERE APPLICABLE MUST REMAIN WITHIN DIMENSIONS | | THIRD ANGLE PROJECTION | DRAWING | SERIES | | |
| | | | A2-SIZE | 93466 | | |

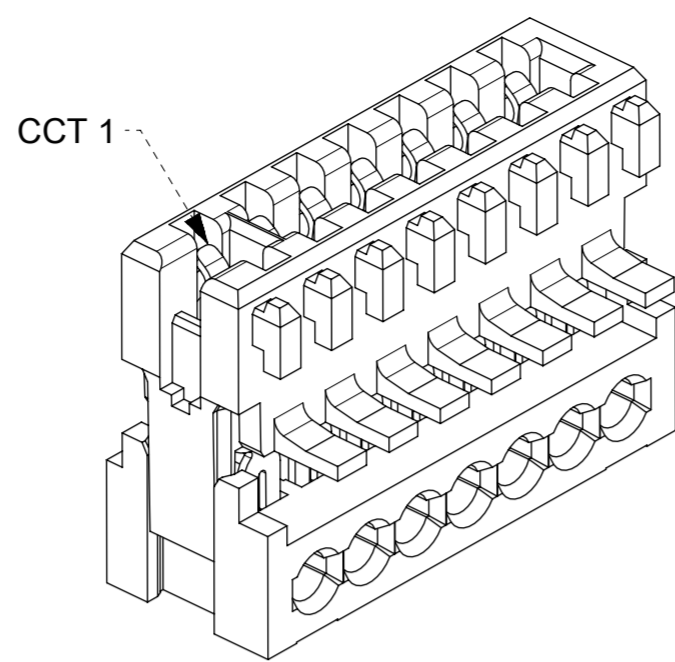


OPEN END WALL OPTION

| FIRST END WALL | LAST END WALL |
|----------------|---------------|
| OPEN | OPEN |

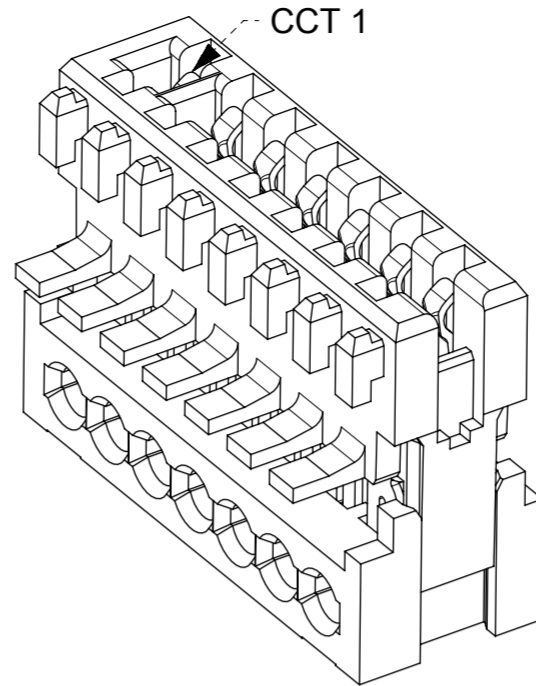
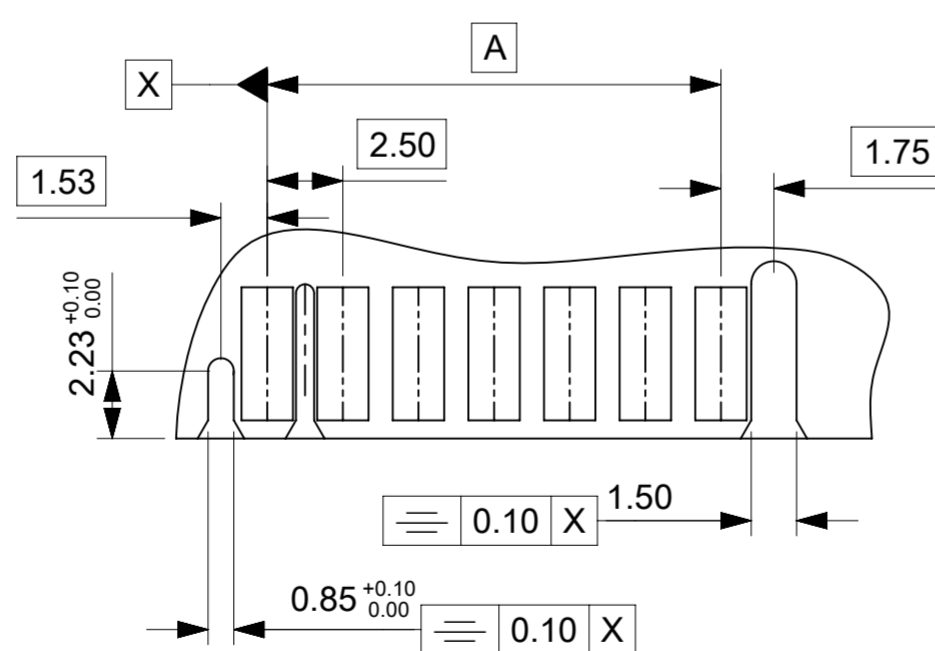
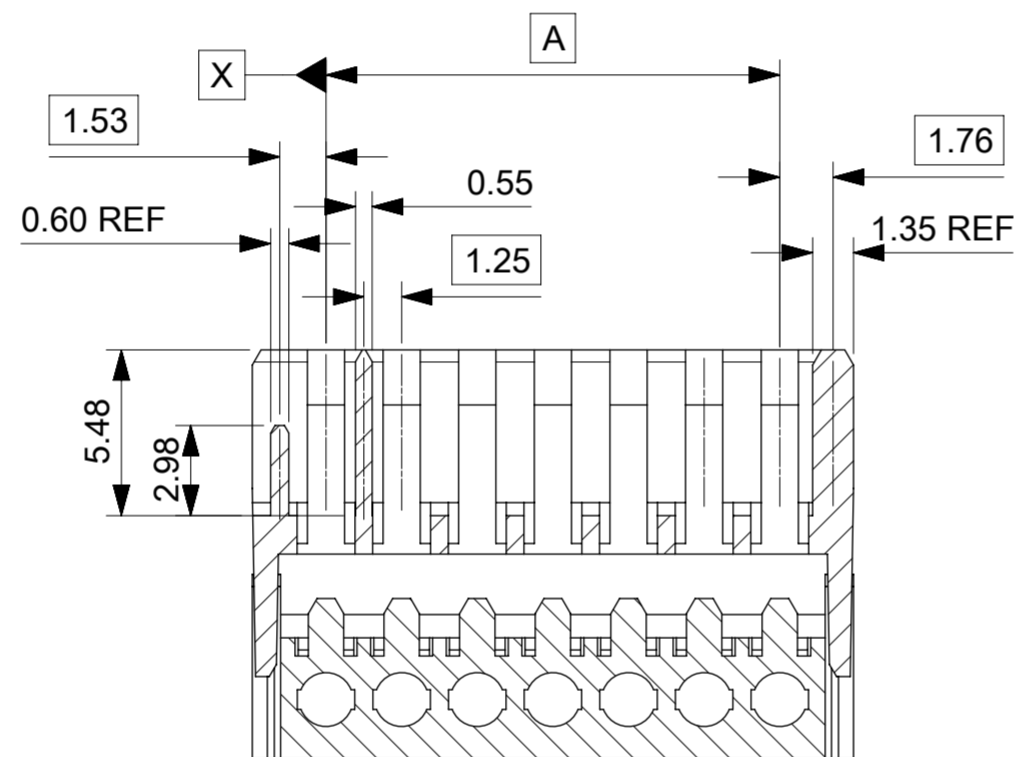


- PCB LAYOUT CCTCONNECTOR
(WITH OPTIONAL POSITIONAL RIB SLOT BETWEEN
CCT 1 & 2)
- RECOMMENDED PCB THICKNESS 1.5 ± 0.14



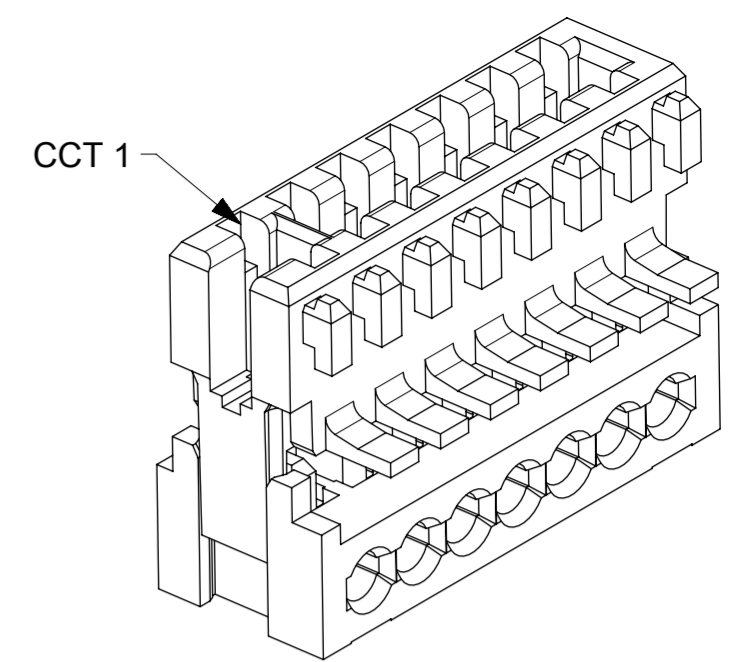
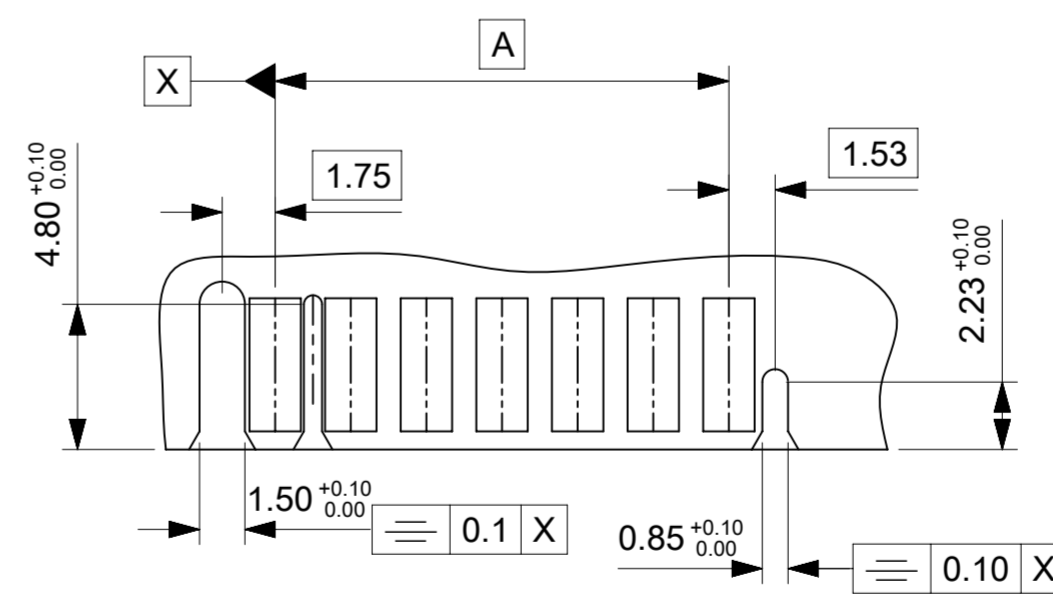
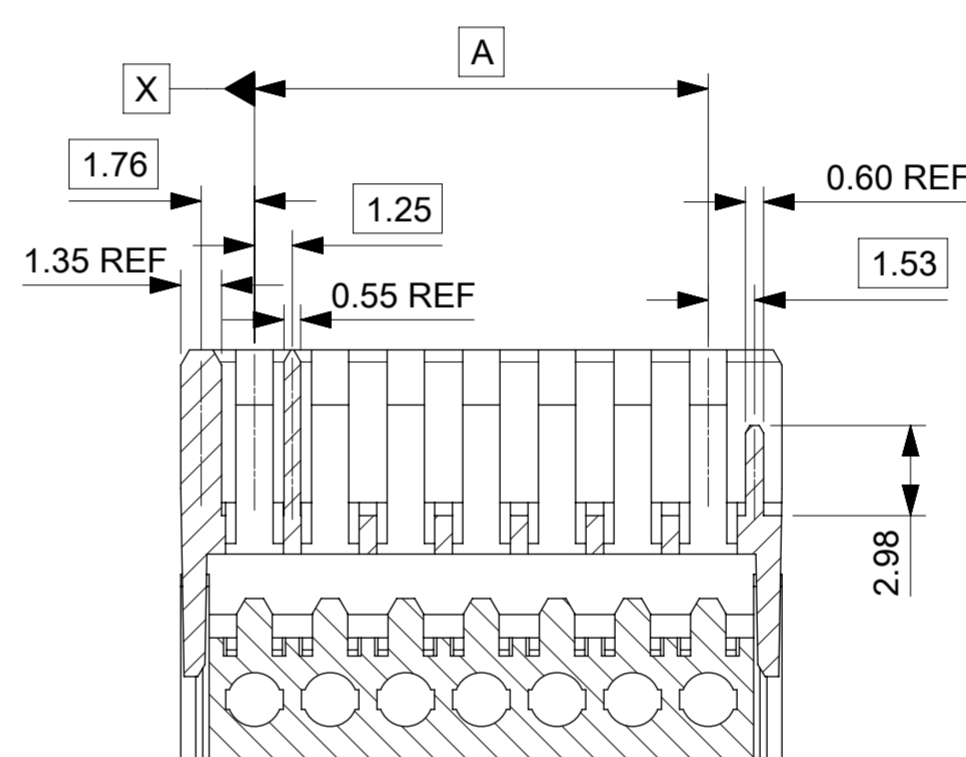
END WALL OPTION A

| FIRST END WALL | LAST END WALL |
|----------------|---------------|
| HALF | CLOSED |



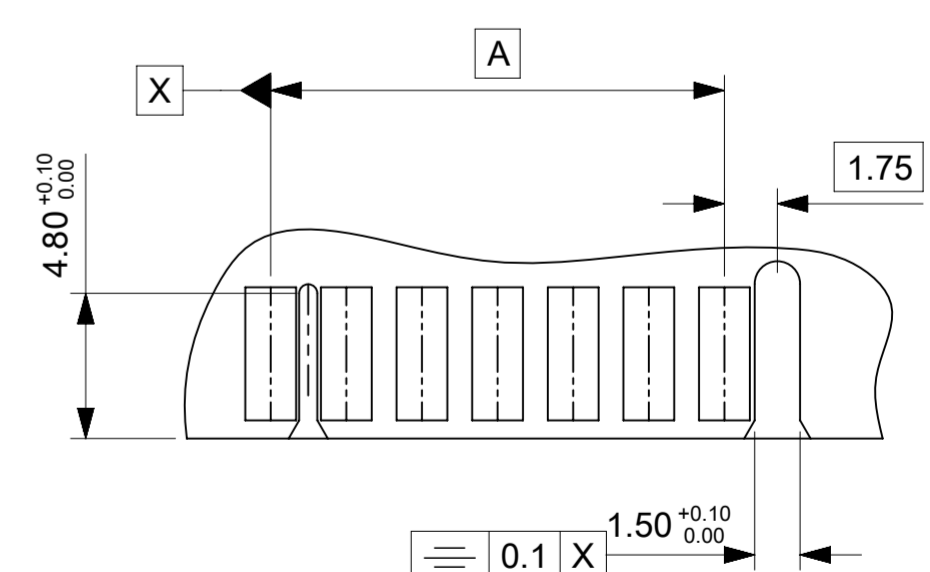
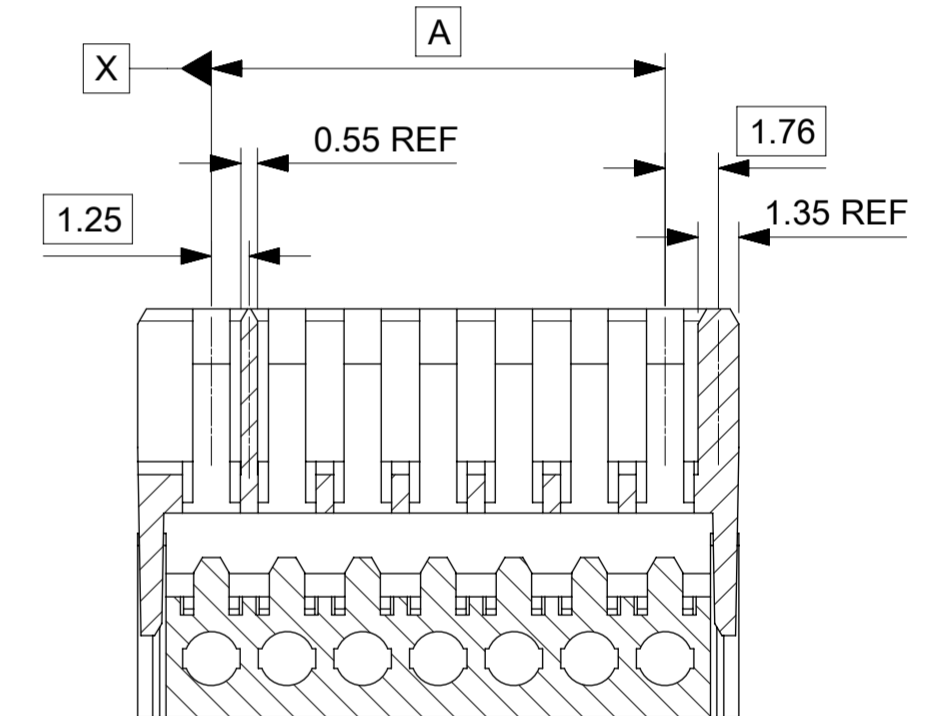
END WALL OPTION B

| FIRST END WALL | LAST END WALL |
|----------------|---------------|
| CLOSED | HALF |



END WALL OPTION C

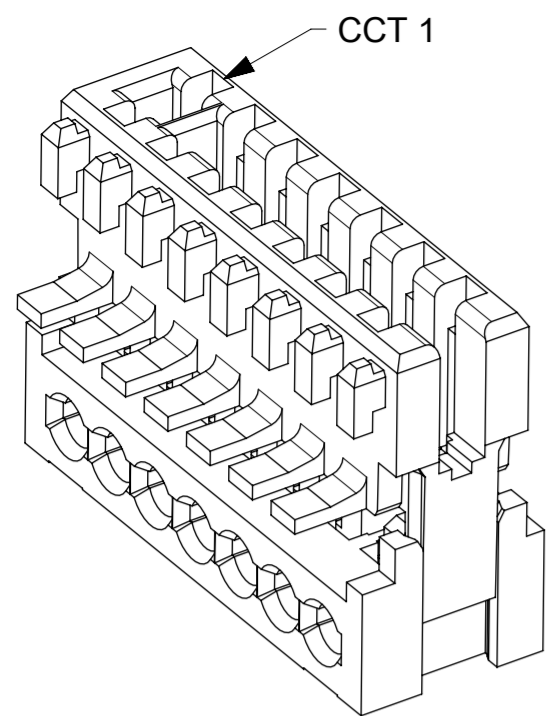
| FIRST END WALL | LAST END WALL |
|----------------|---------------|
| OPEN | CLOSED |



THIS DRAWING CONTAINS INFORMATION THAT IS PROPRIETARY TO MOLEX ELECTRONIC TECHNOLOGIES, LLC AND SHOULD NOT BE USED WITHOUT WRITTEN PERMISSION

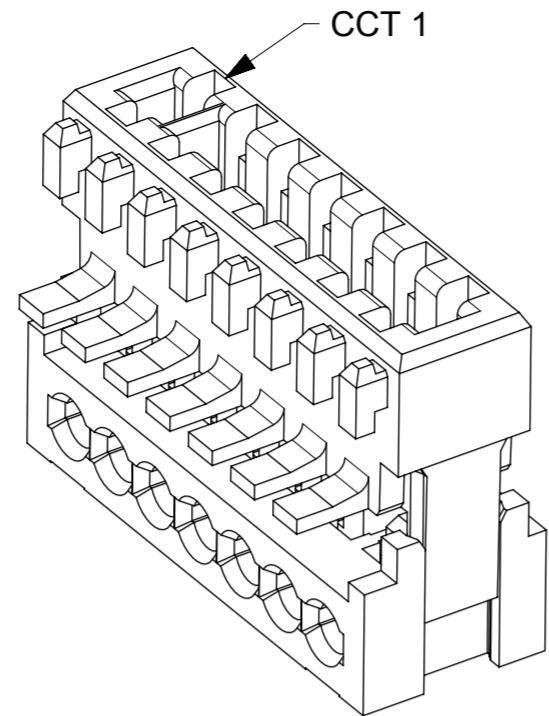
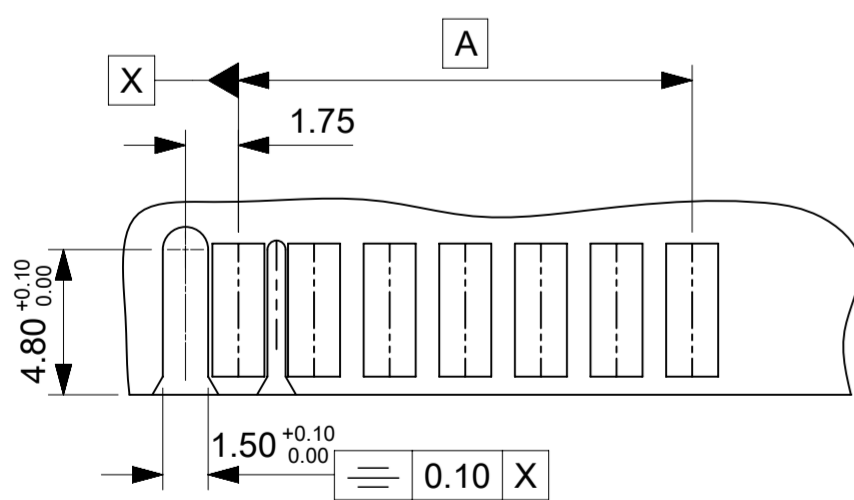
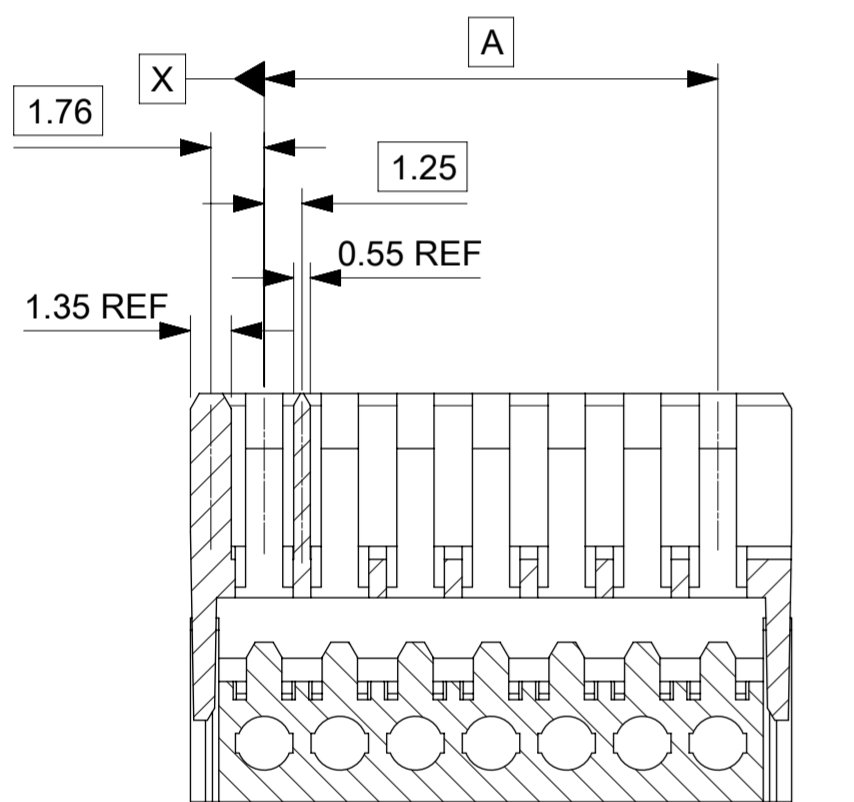
| | | | | | |
|--|--------|---|------------|-----------------|----------|
| DIMENSION UNITS | SCALE | CURRENT REV DESC: | | | |
| mm | 4:1 | | | | |
| GENERAL TOLERANCES (UNLESS SPECIFIED) | | APPLI-MATE 2.5 FEMALE G.W.T. 750 AND 850 VERSION GF MATERIAL | | | |
| ANGULAR TOL | ± 0.5° | PRODUCT CUSTOMER DRAWING | | | |
| 4 PLACES | ± | EC NO: 675456 | 2021/08/26 | | |
| 3 PLACES | ± 0.05 | DRWN: MBN02 | 2021/08/26 | | |
| 2 PLACES | ± 0.1 | CHK'D: MBN02 | 2021/09/28 | | |
| 1 PLACE | ± 0.2 | APPR: SDEVITT | | | |
| 0 PLACES | ± | INITIAL REVISION: | | | |
| DRAFT WHERE APPLICABLE MUST REMAIN WITHIN DIMENSIONS | | DRWN: CFISHER01 | 2016/01/11 | DOCUMENT NUMBER | DOC TYPE |
| THIRD ANGLE PROJECTION | | APPR: MSHANAHAN | 2016/02/09 | 934660001 | PSD |
| DRAWING | | SERIES | | DOC PART | REVISION |
| A2-SIZE | | 93466 | | 000 | AG1 |
| MATERIAL NUMBER | | CUSTOMER | | SHEET NUMBER | |
| SEE TABLE | | GENERAL MARKET | | 2 OF 11 | |

| | | | | |
|-----------------|----|--------------|------------|----------|
| DOCUMENT STATUS | P1 | RELEASE DATE | 2021/09/28 | 05:26:26 |
|-----------------|----|--------------|------------|----------|



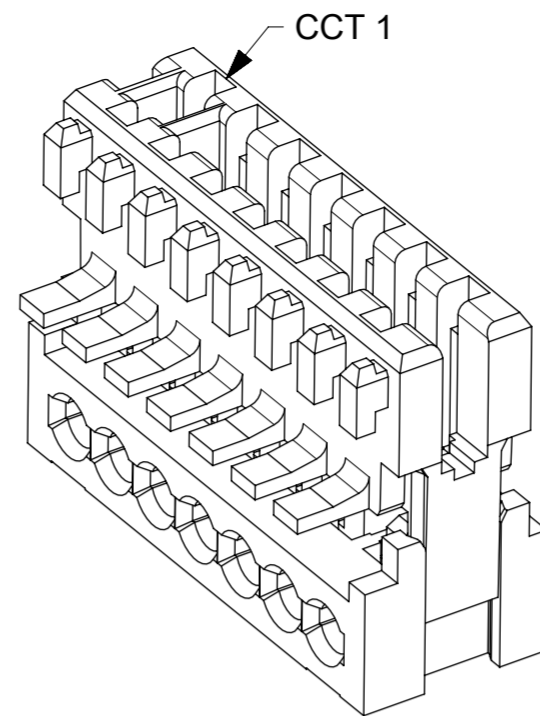
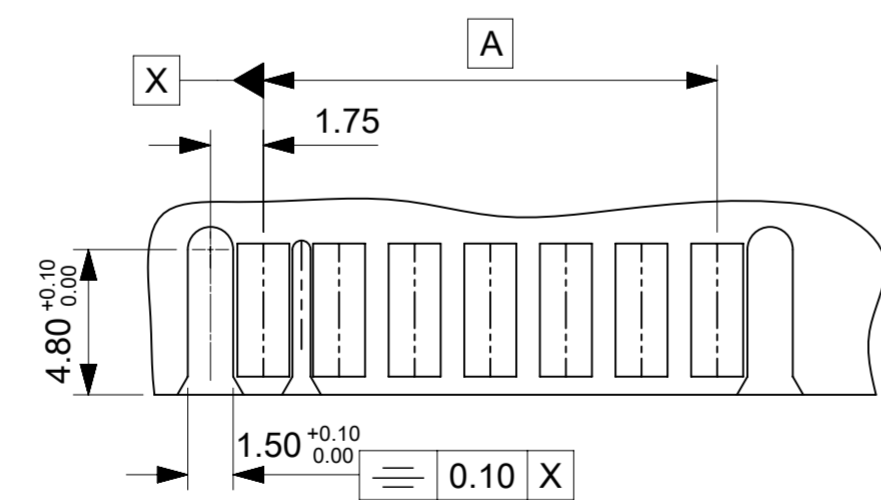
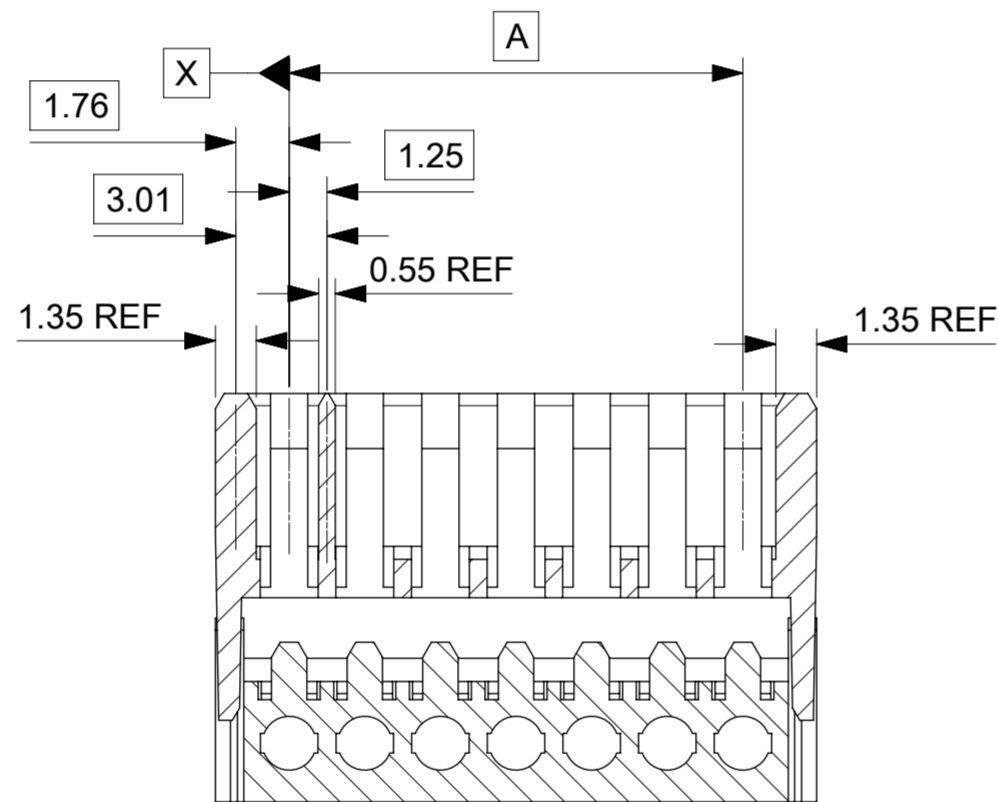
END WALL OPTION D

| FIRST END WALL | LAST END WALL |
|----------------|---------------|
| CLOSED | OPEN |



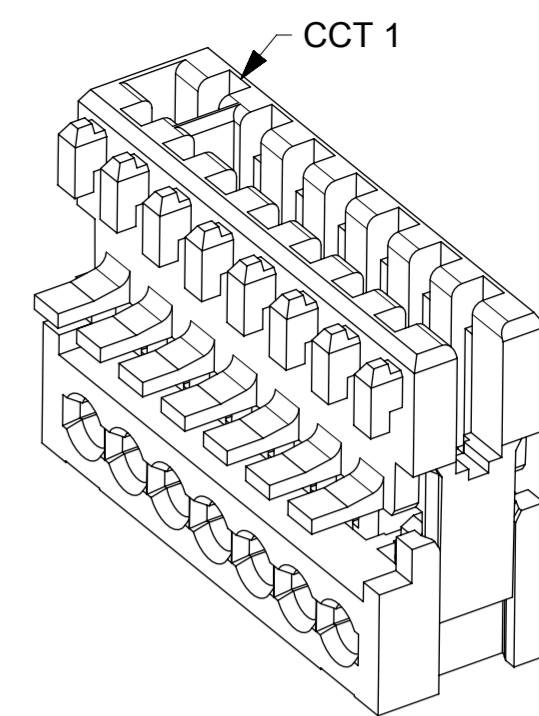
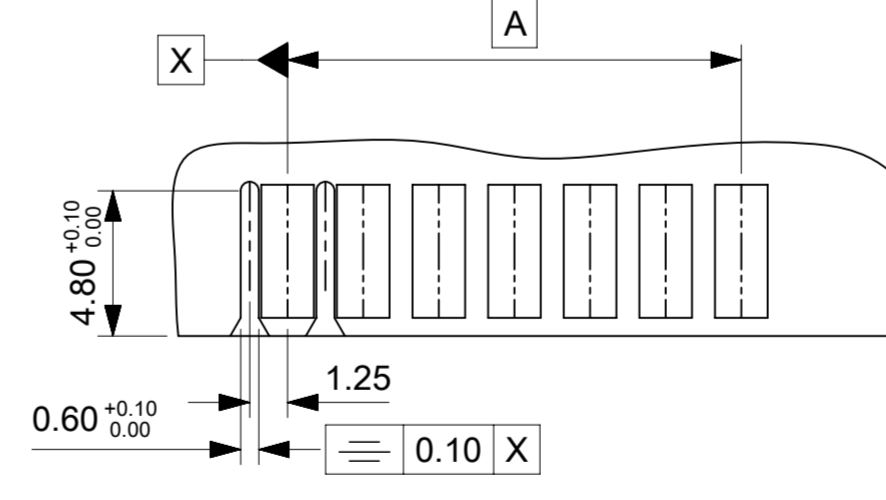
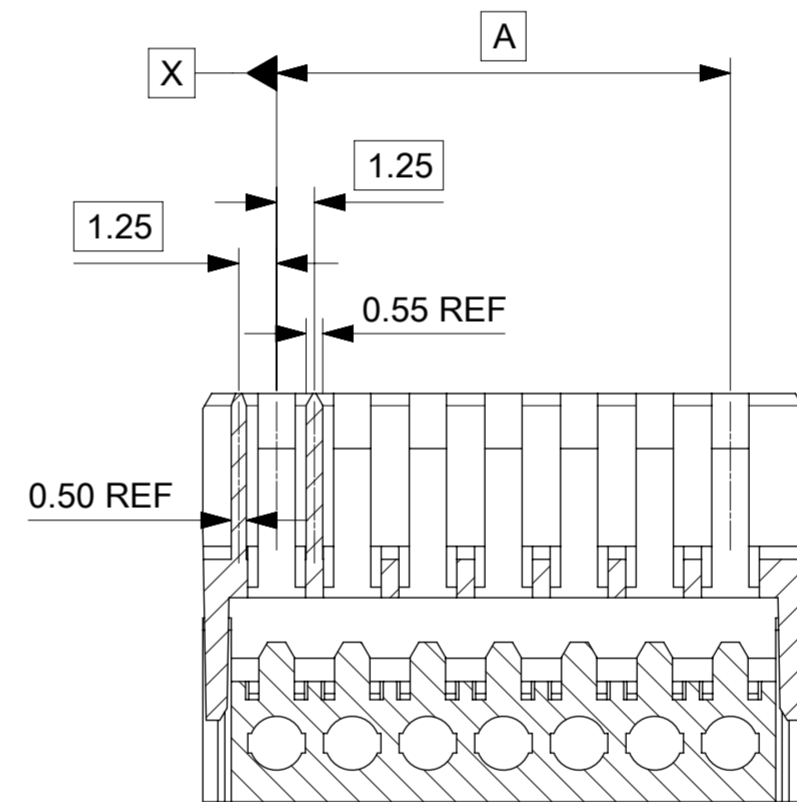
END WALL OPTION E

| FIRST END WALL | LAST END WALL |
|----------------|---------------|
| CLOSED | CLOSED |



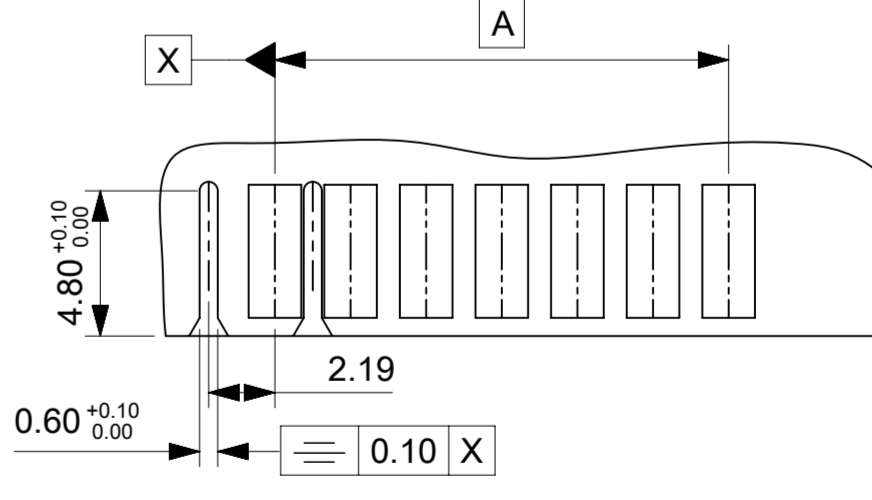
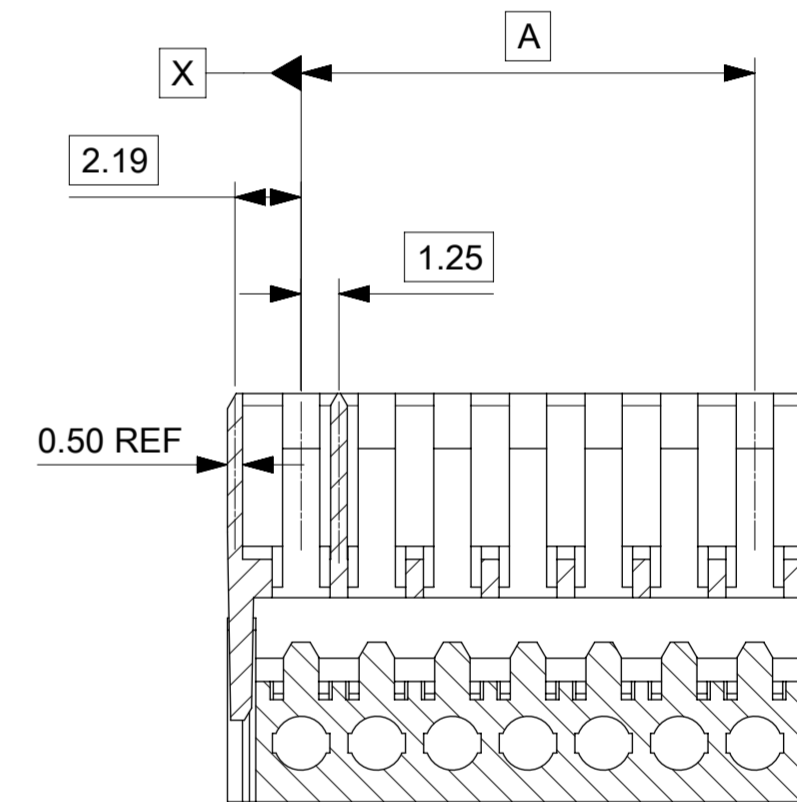
END WALL OPTION F

| FIRST END WALL | LAST END WALL |
|----------------|---------------|
| NARROW | OPEN |



END WALL OPTION G

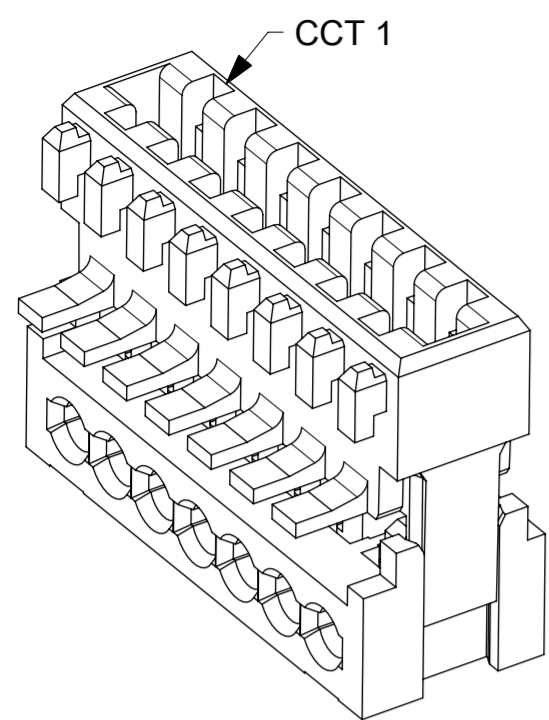
| FIRST END WALL | LAST END WALL |
|----------------|---------------|
| NARROW FLUSH | OPEN |



THIS DRAWING CONTAINS INFORMATION THAT IS PROPRIETARY TO MOLEX ELECTRONIC TECHNOLOGIES, LLC AND SHOULD NOT BE USED WITHOUT WRITTEN PERMISSION

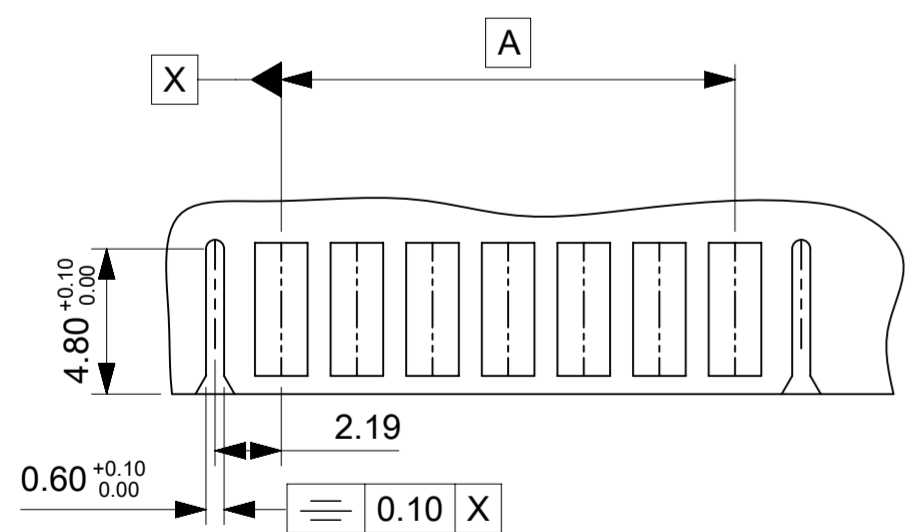
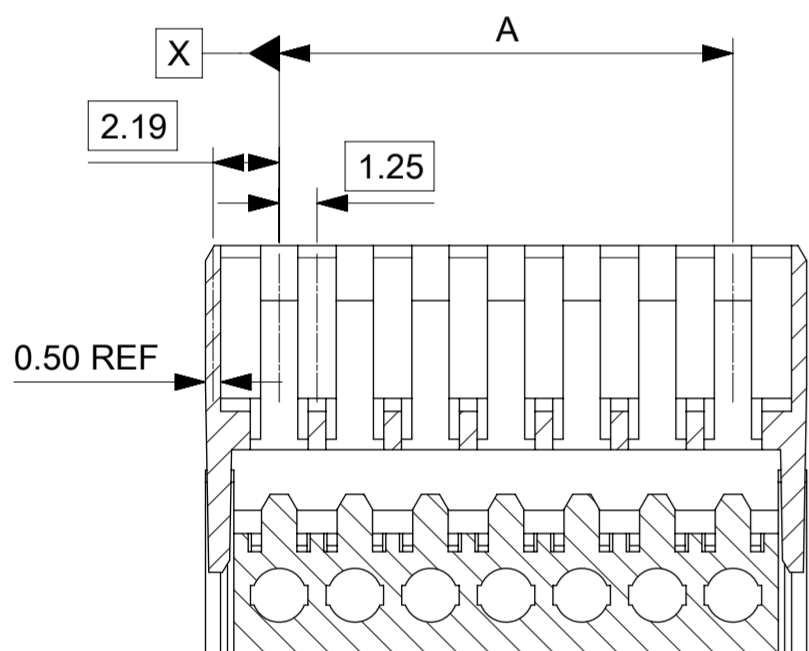
| | | | | |
|--|----------------|-------------------|------------|----------|
| DIMENSION UNITS | SCALE | CURRENT REV DESC: | | |
| mm | 1:1 | | | |
| GENERAL TOLERANCES (UNLESS SPECIFIED) | | | | |
| ANGULAR TOL | ± 0.5° | | | |
| 4 PLACES | ± | EC NO: 675456 | | |
| 3 PLACES | ± 0.05 | DRWN: MBN02 | 2021/08/26 | |
| 2 PLACES | ± 0.1 | CHK'D: MBN02 | 2021/08/26 | |
| 1 PLACE | ± 0.2 | APPR: SDEVITT | 2021/09/28 | |
| 0 PLACES | ± | INITIAL REVISION: | | |
| DRAFT WHERE APPLICABLE MUST REMAIN WITHIN DIMENSIONS | | DRWN: CFISHER01 | 2016/01/11 | |
| THIRD ANGLE PROJECTION | | APPR: MSHANAHAN | 2016/02/09 | |
| DRAWING | SERIES | DOCUMENT NUMBER | DOC TYPE | DOC PART |
| A2-SIZE | 93466 | 934660001 | PSD | 000 |
| MATERIAL NUMBER | CUSTOMER | REVISION | | |
| SEE TABLE | GENERAL MARKET | AG1 | | |
| SHEET NUMBER | | 3 OF 11 | | |

| | | | | |
|-----------------|----|--------------|------------|----------|
| DOCUMENT STATUS | P1 | RELEASE DATE | 2021/09/28 | 05:26:26 |
|-----------------|----|--------------|------------|----------|



END WALL OPTION H

| | |
|----------------|---------------|
| FIRST END WALL | LAST END WALL |
| NARROW FLUSH | NARROW FLUSH |



THIS DRAWING CONTAINS INFORMATION THAT IS PROPRIETARY TO MOLEX ELECTRONIC TECHNOLOGIES, LLC AND SHOULD NOT BE USED WITHOUT WRITTEN PERMISSION

| | | | | | | | | |
|--|------------------------|-------------------|------------|---|----------------|--------------|----------|----------|
| DIMENSION UNITS | SCALE | CURRENT REV DESC: | | molex | | | | |
| mm | 1:1 | | | | | | | |
| GENERAL TOLERANCES (UNLESS SPECIFIED) | | | | APPLI-MATE 2.5 FEMALE G.W.T. 750 AND 850 VERSION GF MATERIAL | | | | |
| ANGULAR TOL | ± 0.5° | EC NO: 675456 | | PRODUCT CUSTOMER DRAWING | | | | |
| 4 PLACES | ± | DRWN: MBN02 | 2021/08/26 | | | | | |
| 3 PLACES | ± 0.05 | CHK'D: MBN02 | 2021/08/26 | | | | | |
| 2 PLACES | ± 0.1 | APPR: SDEVITT | 2021/09/28 | | | | | |
| 1 PLACE | ± 0.2 | INITIAL REVISION: | | DOCUMENT NUMBER | | | | |
| 0 PLACES | ± | DRWN: CFISHER01 | 2016/01/11 | 934660001 | | DOC TYPE | DOC PART | REVISION |
| | | APPR: MSHANAHAN | 2016/02/09 | | | PSD | 000 | AG1 |
| DRAFT WHERE APPLICABLE MUST REMAIN WITHIN DIMENSIONS | THIRD ANGLE PROJECTION | DRAWING | SERIES | MATERIAL NUMBER | CUSTOMER | SHEET NUMBER | | |
| | | A2-SIZE | 93466 | SEE TABLE | GENERAL MARKET | 4 OF 11 | | |

| | | | | |
|-----------------|----|--------------|------------|----------|
| DOCUMENT STATUS | P1 | RELEASE DATE | 2021/09/28 | 05:26:26 |
|-----------------|----|--------------|------------|----------|

2 CIRCUIT

| PART NUMBER | HOUSING USED | TERMINAL VOID POSITION | REMOVED POSITION KEYS | CONFIGURATION | FIRST ENDWALL | LAST ENDWALL | POLARIZING RIB BETWEEN | COLOUR STRIPE |
|-------------|-----------------|------------------------|-----------------------|---------------|---------------|--------------|------------------------|---------------|
| 93466-9001 | 93464-0002 | NONE | NONE | | OPEN | OPEN | NONE | NONE |
| 93466-9002 | 93464-0102 | NONE | NONE | | OPEN | OPEN | BETWEEN CCT 1&2 | NONE |
| 93466-9003 | 93464-0002 | NONE | a | | OPEN | OPEN | NONE | NONE |
| 93466-9004 | 93464-0002 | NONE | b | | OPEN | OPEN | NONE | NONE |
| 93466-9005 | 93464-0002 | NONE | c | | OPEN | OPEN | NONE | NONE |
| 93466-9006 | 93464-0002 | NONE | a b c | | OPEN | OPEN | NONE | NONE |
| 93466-9007 | 94006-0002 ZEUS | NONE | NONE | | OPEN | OPEN | NONE | NONE |
| 93466-9008 | 94006-0102 ZEUS | NONE | a b c | | OPEN | OPEN | BETWEEN CCT 1&2 | NONE |
| 93466-9009 | 94006-0002 ZEUS | NONE | a b c | | OPEN | OPEN | NONE | NONE |
| 93466-9010 | 94006-0102 ZEUS | NONE | NONE | | OPEN | OPEN | BETWEEN CCT 1&2 | NONE |
| 93466-9011 | 94006-0202 ZEUS | NONE | NONE | | OPEN | OPEN | BETWEEN CCT 1&2 | BLACK |
| 93466-9012 | 93464-0022 | NONE | NONE | | CLOSED | CLOSED | NONE | NONE |
| 93466-9013 | 94006-0002 ZEUS | NONE | a | | OPEN | OPEN | NONE | NONE |

3 CIRCUIT

| PART NUMBER | HOUSING USED | TERMINAL VOID POSITION | REMOVED POSITION KEYS | CONFIGURATION | FIRST ENDWALL | LAST ENDWALL | POLARIZING RIB BETWEEN | COLOUR STRIPE |
|-------------|-----------------|------------------------|-----------------------|---------------|---------------|--------------|------------------------|---------------|
| 93466-0001 | 93464-0003 | NONE | NONE | | OPEN | OPEN | NONE | BLUE |
| 93466-0002 | 93464-0003 | NONE | d | | OPEN | OPEN | NONE | NONE |
| 93466-0003 | 93464-0003 | NONE | a b | | OPEN | OPEN | NONE | NONE |
| 93466-0004 | 93464-0063 | NONE | d | | CLOSED | OPEN | NONE | NONE |
| 93466-0005 | 93464-0063 | NONE | a c | | CLOSED | OPEN | NONE | NONE |
| 93466-0006 | 93464-0003 | NONE | a | | OPEN | OPEN | NONE | NONE |
| 93466-0007 | 93464-0003 | NONE | NONE | | OPEN | OPEN | NONE | NONE |
| 93466-0008 | 93464-0003 | NONE | b d | | OPEN | OPEN | NONE | NONE |
| 93466-0009 | 93464-0003 | NONE | a c | | OPEN | OPEN | NONE | NONE |
| 93466-0010 | 93464-0043 | NONE | d | | OPEN | CLOSED | NONE | NONE |
| 93466-0011 | 93464-0083 | NONE | d | | NARROW | OPEN | NONE | NONE |
| 93466-0012 | 93464-0083 | NONE | a c | | NARROW | OPEN | NONE | NONE |
| 93466-0013 | 93464-0003 | NONE | a b c | | OPEN | OPEN | NONE | BLUE |
| 93466-0014 | 93464-9903 | NONE | d | | NARROW FLUSH | OPEN | NONE | NONE |
| 93466-0015 | 93464-0003 | NONE | a b c d | | OPEN | OPEN | NONE | NONE |
| 93466-0016 | 93464-0203 | NONE | NONE | | OPEN | OPEN | BETWEEN CCT 2&3 | NONE |
| 93466-0017 | 93464-9903 | NONE | a c | | NARROW FLUSH | OPEN | NONE | NONE |
| 93466-0018 | 93464-0103 | NONE | a b c d | | OPEN | OPEN | BETWEEN CCT 1&2 | NONE |
| 93466-0019 | 93464-0003 | NONE | a | | OPEN | OPEN | NONE | BLUE |
| 93466-0020 | 93464-0003 | NONE | d | | OPEN | OPEN | NONE | BLUE |
| 93466-0021 | 93464-0103 | NONE | a b d | | OPEN | OPEN | BETWEEN CCT 1&2 | BLACK |
| 93466-0022 | 93464-0103 | NONE | a c d | | OPEN | OPEN | BETWEEN CCT 1&2 | NONE |
| 93466-0023 | 94006-0003 ZEUS | NONE | NONE | | OPEN | OPEN | NONE | NONE |
| 93466-0024 | 93464-0103 | NONE | a b d | | OPEN | OPEN | BETWEEN CCT 1&2 | YELLOW |

NOTES

- 1. + DENOTES TERMINAL VOIDED POSITION
- ⊕ DENOTES TERMINAL LOADED POSITION
- | DENOTES POLARIZING RIB POSITION
- 2. MOLEX HOUSING NO. FOR REFERENCE ONLY

THIS DRAWING CONTAINS INFORMATION THAT IS PROPRIETARY TO MOLEX ELECTRONIC TECHNOLOGIES, LLC AND SHOULD NOT BE USED WITHOUT WRITTEN PERMISSION

| | | | | | |
|--|--------------------------|----------------------------|---|--|--|
| DIMENSION UNITS | SCALE | CURRENT REV DESC: | <h1 style="margin: 0;">molex</h1> | | |
| mm | 1:1 | | | | |
| GENERAL TOLERANCES (UNLESS SPECIFIED) | | | APPLI-MATE 2.5 FEMALE G.W.T. 750 AND 850 VERSION GF MATERIAL | | |
| ANGULAR TOL ± 0.5° | | | | | |
| 4 PLACES ± | EC NO: 675456 | | PRODUCT CUSTOMER DRAWING | | |
| 3 PLACES ± 0.05 | DRWN: MBN02 2021/08/26 | | | | |
| 2 PLACES ± 0.1 | CHK'D: MBN02 2021/08/26 | | DOCUMENT NUMBER 934660001 | | |
| 1 PLACE ± 0.2 | APPR: SDEVITT 2021/09/28 | | | | |
| 0 PLACES ± | INITIAL REVISION: | | DOC TYPE DOC PART REVISION PSD 000 AG1 | | |
| DRAFT WHERE APPLICABLE MUST REMAIN WITHIN DIMENSIONS | | DRWN: CFISHER01 2016/01/11 | | | |
| THIRD ANGLE PROJECTION | | APPR: MSHANAHAN 2016/02/09 | MATERIAL NUMBER CUSTOMER SHEET NUMBER SEE TABLE GENERAL MARKET 5 OF 11 | | |
| DRAWING | | SERIES | | | |
| A2-SIZE | | 93466 | | | |

3 CIRCUIT

| PART NUMBER | HOUSING USED | TERMINAL VOID POSITION | REMOVED POSITION KEYS | CONFIGURATION | FIRST ENDWALL | LAST ENDWALL | POLARIZING RIB BETWEEN | COLOUR STRIPE |
|-------------|-----------------|------------------------|-----------------------|---------------|---------------|--------------|------------------------|---------------|
| 93466-0025 | 93464-0003 | NONE | b c | | OPEN | OPEN | NONE | NONE |
| 93466-0026 | 93464-0003 | NONE | c d | | OPEN | OPEN | NONE | NONE |
| 93466-0027 | 93464-0103 | NONE | NONE | | OPEN | OPEN | 1&2 | NONE |
| 93466-0028 | 93464-0003 | NONE | a d | | OPEN | OPEN | NONE | NONE |
| 93466-0029 | 94006-0003 ZEUS | NONE | a d | | OPEN | OPEN | NONE | NONE |
| 93466-0030 | 94006-0103 ZEUS | NONE | NONE | | OPEN | OPEN | 1&2 | NONE |
| 93466-0031 | 94006-0203 ZEUS | NONE | NONE | | OPEN | OPEN | 2&3 | NONE |
| 93466-0032 | 94006-0023 ZEUS | NONE | NONE | | CLOSED | CLOSED | NONE | NONE |
| 93466-0033 | 94006-0003 ZEUS | NONE | a c | | OPEN | OPEN | NONE | NONE |
| 93466-0035 | 94006-0003 ZEUS | NONE | ALL | | OPEN | OPEN | NONE | NONE |
| 93466-0036 | 94006-0003 ZEUS | NONE | b d | | OPEN | OPEN | NONE | NONE |
| 93466-0037 | 94006-0003 ZEUS | NONE | b c | | OPEN | OPEN | NONE | NONE |
| 93466-0039 | 94006-0003 ZEUS | NONE | a b | | OPEN | OPEN | NONE | NONE |
| 93466-0040 | 94006-0003 ZEUS | NONE | c d | | OPEN | OPEN | NONE | NONE |
| 93466-0041 | 93464-0203 | NONE | a b d | | OPEN | OPEN | 2&3 | NONE |
| 93466-0042 | 93464-0203 | NONE | a b c d | | OPEN | OPEN | 2&3 | NONE |
| 93466-0043 | 93464-0203 | NONE | c | | OPEN | OPEN | 2&3 | BLUE |
| 93466-0044 | 93464-0203 | NONE | b c d | | OPEN | OPEN | 2&3 | NONE |
| 93466-0045 | 93464-0103 | NONE | b c | | OPEN | OPEN | 1&2 | NONE |
| 93466-0046 | 94006-0203 ZEUS | NONE | c | | OPEN | OPEN | 2&3 | NONE |
| 93466-0047 | 94006-0023 ZEUS | NONE | NONE | | CLOSED | CLOSED | NONE | ORANGE |
| 93466-0048 | 94006-0103 ZEUS | NONE | ALL | | OPEN | OPEN | 1&2 | NONE |
| 93466-0049 | 94006-0003 ZEUS | NONE | a | | OPEN | OPEN | NONE | NONE |
| 93466-0050 | 94006-9915 ZEUS | NONE | NONE | | NARROW FLUSH | NARROW FLUSH | NONE | NONE |
| 93466-0051 | 93464-0003 | NONE | b | | OPEN | OPEN | NONE | NONE |
| 93466-0052 | 93464-0003 | NONE | a b d | | OPEN | OPEN | NONE | NONE |
| 93466-0053 | 94006-0203 ZEUS | NONE | NONE | | OPEN | OPEN | 2&3 | RED |

NOTES

- + DENOTES TERMINAL VOIDED POSITION
⊕ DENOTES TERMINAL LOADED POSITION
| DENOTES POLARIZING RIB POSITION
- MOLEX HOUSING NO. FOR REFERENCE ONLY

4 CIRCUIT

| PART NUMBER | HOUSING USED | TERMINAL VOID POSITION | REMOVED POSITION KEYS | CONFIGURATION | FIRST ENDWALL | LAST ENDWALL | POLARIZING RIB BETWEEN | COLOUR STRIPE |
|-------------|--------------|------------------------|-----------------------|---------------|---------------|--------------|------------------------|---------------|
| 93466-0501 | 93464-0004 | NONE | NONE | | OPEN | OPEN | NONE | NONE |
| 93466-0502 | 93464-0004 | NONE | b | | OPEN | OPEN | NONE | NONE |
| 93466-0503 | 93464-0004 | NONE | b c | | OPEN | OPEN | NONE | NONE |
| 93466-0504 | 93464-0004 | NONE | d e | | OPEN | OPEN | NONE | NONE |
| 93466-0505 | 93464-0104 | NONE | a b d e | | OPEN | OPEN | BETWEEN CCT 1&2 | NONE |
| 93466-0506 | 93464-0064 | NONE | NONE | | CLOSED | OPEN | NONE | NONE |
| 93466-0507 | 93464-0044 | NONE | b | | OPEN | CLOSED | NONE | NONE |
| 93466-0508 | 93464-0084 | NONE | NONE | | NARROW | OPEN | NONE | NONE |
| 93466-0510 | 93464-0004 | NONE | a c | | OPEN | OPEN | NONE | NONE |
| 93466-0511 | 93464-0204 | NONE | NONE | | OPEN | OPEN | BETWEEN CCT 2&3 | NONE |
| 93466-0512 | 93464-0304 | NONE | b c | | OPEN | OPEN | BETWEEN CCT 3&4 | NONE |
| 93466-0513 | 93464-0104 | CCT 1 | a c e | | OPEN | OPEN | BETWEEN CCT 1&2 | NONE |
| 93466-0514 | 93464-0304 | CCT 2,4 | NONE | | OPEN | OPEN | BETWEEN CCT 3&4 | NONE |
| 93466-0515 | 93464-0304 | NONE | NONE | | OPEN | OPEN | BETWEEN CCT 3&4 | NONE |
| 93466-0516 | 93464-9901 | NONE | NONE | | NARROW FLUSH | OPEN | NONE | NONE |
| 93466-0517 | 93464-0304 | NONE | NONE | | OPEN | OPEN | BETWEEN CCT 3&4 | RED |
| 93466-0518 | 93464-0204 | NONE | NONE | | OPEN | OPEN | BETWEEN CCT 2&3 | BLUE |
| 93466-0519 | 93464-0104 | NONE | NONE | | OPEN | OPEN | BETWEEN CCT 1&2 | NONE |
| 93466-0520 | 93464-0004 | CCT 3 | a b e | | OPEN | OPEN | NONE | RED |
| 93466-0521 | 93464-0104 | NONE | a e | | OPEN | OPEN | BETWEEN CCT 1&2 | NONE |
| 93466-0522 | 93464-0104 | NONE | a e | | OPEN | OPEN | BETWEEN CCT 1&2 | BLACK |
| 93466-0523 | 93464-0304 | NONE | a e | | OPEN | OPEN | BETWEEN CCT 3&4 | NONE |
| 93466-0524 | 93464-0144 | NONE | a c | | OPEN | CLOSED | BETWEEN CCT 1&2 | NONE |
| 93466-0525 | 93464-0264 | NONE | NONE | | CLOSED | OPEN | BETWEEN CCT 2&3 | NONE |

THIS DRAWING CONTAINS INFORMATION THAT IS PROPRIETARY TO MOLEX ELECTRONIC TECHNOLOGIES, LLC AND SHOULD NOT BE USED WITHOUT WRITTEN PERMISSION

| | | | | | | |
|--|---------------------|--------------------------------------|------------------------|-------------------------------------|----------------------------|-------------------------|
| DIMENSION UNITS mm | SCALE 1:1 | CURRENT REV DESC: | | | | |
| GENERAL TOLERANCES (UNLESS SPECIFIED) | | EC NO: 675456 | | | | |
| ANGULAR TOL ± 0.5° | 4 PLACES ± | DRWN: MBN02 | 2021/08/26 | PRODUCT CUSTOMER DRAWING | | |
| 3 PLACES ± 0.05 | 2 PLACES ± 0.1 | CHK'D: MBN02 | 2021/08/26 | | | |
| 1 PLACE ± 0.2 | 0 PLACES ± | APPR: SDEVITT | 2021/09/28 | DOCUMENT NUMBER 934660001 | | |
| DRAFT WHERE APPLICABLE MUST REMAIN WITHIN DIMENSIONS | | INITIAL REVISION: DRWN: CFISHER01 | 2016/01/11 | | | |
| THIRD ANGLE PROJECTION | | DRAWING A2-SIZE | SERIES 93466 | MATERIAL NUMBER SEE TABLE | CUSTOMER GENERAL MARKET | SHEET NUMBER 6 OF 11 |

| | | | | |
|-----------------|----|--------------|------------|----------|
| DOCUMENT STATUS | P1 | RELEASE DATE | 2021/09/28 | 05:26:26 |
|-----------------|----|--------------|------------|----------|

| 4 CIRCUIT | | | | | | | | |
|-------------|-----------------|------------------------|-----------------------|---------------|---------------|--------------|------------------------|---------------|
| PART NUMBER | HOUSING USED | TERMINAL VOID POSITION | REMOVED POSITION KEYS | CONFIGURATION | FIRST ENDWALL | LAST ENDWALL | POLARIZING RIB BETWEEN | COLOUR STRIPE |
| 93466-0526 | 93464-0144 | NONE | a e | | OPEN | CLOSED | BETWEEN CCT 1&2 | NONE |
| 93466-0527 | 93464-0344 | NONE | b c | | OPEN | CLOSED | BETWEEN CCT 3&4 | NONE |
| 93466-0528 | 93464-0164 | NONE | a b d e | | CLOSED | OPEN | BETWEEN CCT1&2 | NONE |
| 93466-0529 | 93464-0144 | NONE | d e | | OPEN | CLOSED | BETWEEN CCT1&2 | NONE |
| 93466-0530 | 93464-0264 | NONE | b c d | | CLOSED | OPEN | BETWEEN CCT2&3 | NONE |
| 93466-0531 | 93464-0264 | NONE | a e | | CLOSED | OPEN | BETWEEN CCT2&3 | NONE |
| 93466-0532 | 93464-0004 | NONE | b c d | | OPEN | OPEN | NONE | NONE |
| 93466-0533 | 93464-0004 | NONE | a e | | OPEN | OPEN | NONE | NONE |
| 93466-0534 | 93464-0004 | NONE | a c e | | OPEN | OPEN | NONE | NONE |
| 93466-0535 | 94006-0004 ZEUS | NONE | NONE | | OPEN | OPEN | NONE | NONE |
| 93466-0536 | 94006-0024 ZEUS | NONE | NONE | | CLOSED | CLOSED | NONE | NONE |
| 93466-0537 | 93464-0004 | CCT 2 | NONE | | OPEN | OPEN | NONE | NONE |
| 93466-0538 | 94006-0004 ZEUS | NONE | b c d | | OPEN | OPEN | NONE | NONE |
| 93466-0539 | 94006-0004 ZEUS | NONE | a e | | OPEN | OPEN | NONE | NONE |
| 93466-0540 | 94006-0004 ZEUS | NONE | a c e | | OPEN | OPEN | NONE | NONE |
| 93466-0541 | 94006-0004 ZEUS | NONE | b d e | | OPEN | OPEN | NONE | NONE |
| 93466-0542 | 94006-0004 ZEUS | NONE | a b d | | OPEN | OPEN | NONE | NONE |
| 93466-0543 | 93464-0064 | NONE | b | | CLOSED | OPEN | NONE | NONE |
| 93466-0544 | 94006-0064 ZEUS | NONE | b | | CLOSED | OPEN | NONE | NONE |
| 93466-0545 | 93464-0104 | NONE | b c d | | OPEN | OPEN | BETWEEN CCT1&2 | NONE |
| 93466-0546 | 93464-0304 | NONE | b c d | | OPEN | OPEN | BETWEEN CCT3&4 | NONE |
| 93466-0547 | 94006-0004 ZEUS | NONE | a b c d e | | OPEN | OPEN | NONE | NONE |
| 93466-0548 | 94006-0304 ZEUS | NONE | b c d | | OPEN | OPEN | BETWEEN CCT3&4 | NONE |
| 93466-0549 | 94006-0304 ZEUS | NONE | b c e | | OPEN | OPEN | BETWEEN CCT3&4 | NONE |
| 93466-0553 | 94006-0044 ZEUS | NONE | NONE | | OPEN | CLOSED | NONE | NONE |
| 93466-0554 | 94006-0004 ZEUS | NONE | b d | | OPEN | OPEN | NONE | NONE |
| 93466-0555 | 94006-0024 ZEUS | NONE | a b | | CLOSED | CLOSED | NONE | NONE |
| 93466-0556 | 94006-0064 ZEUS | NONE | NONE | | CLOSED | OPEN | NONE | NONE |
| 93466-0557 | 94006-0004 ZEUS | NONE | a | | OPEN | OPEN | NONE | NONE |

| 5 CIRCUIT | | | | | | | | | | | | |
|-------------|-----------------|------------------------|-----------------------|---------------|---------------|--------------|------------------------|---------------|--|--|--|--|
| PART NUMBER | HOUSING USED | TERMINAL VOID POSITION | REMOVED POSITION KEYS | CONFIGURATION | FIRST ENDWALL | LAST ENDWALL | POLARIZING RIB BETWEEN | COLOUR STRIPE | | | | |
| 93466-1001 | 93464-0005 | NONE | c d | | OPEN | OPEN | NONE | NONE | | | | |
| 93466-1003 | 93464-0005 | CCT 1, 2, 4 | a d e f | | OPEN | OPEN | NONE | NONE | | | | |
| 93466-1004 | 93464-0005 | CCT 2, 3, 4 | ALL | | OPEN | OPEN | NONE | NONE | | | | |
| 93466-1005 | 93464-0105 | NONE | NONE | | OPEN | OPEN | BETWEEN CCT 1&2 | NONE | | | | |
| 93466-1006 | 93464-0005 | CCT 2, 3, 4 | a d e f | | OPEN | OPEN | NONE | NONE | | | | |
| 93466-1007 | 93464-0005 | NONE | NONE | | OPEN | OPEN | NONE | NONE | | | | |
| 93466-1008 | 93464-0005 | NONE | a b d e | | OPEN | OPEN | NONE | NONE | | | | |
| 93466-1009 | 93464-0005 | NONE | a f | | OPEN | OPEN | NONE | NONE | | | | |
| 93466-1010 | 93464-0025 | NONE | NONE | | CLOSED | CLOSED | NONE | NONE | | | | |
| 93466-1011 | 93464-0205 | NONE | a f | | OPEN | OPEN | BETWEEN CCT 2&3 | BLUE | | | | |
| 93466-1012 | 93464-0005 | CCT 2, 4 | NONE | | OPEN | OPEN | NONE | NONE | | | | |
| 93466-1013 | 93464-0105 | CCT 3 | a f | | OPEN | OPEN | BETWEEN CCT 1&2 | NONE | | | | |
| 93466-1014 | 93464-0205 | NONE | NONE | | OPEN | OPEN | BETWEEN CCT 2&3 | NONE | | | | |
| 93466-1015 | 93464-0105 | NONE | c d e | | OPEN | OPEN | BETWEEN CCT 1&2 | NONE | | | | |
| 93466-1016 | 93464-0205 | NONE | c d e | | OPEN | OPEN | BETWEEN CCT 2&3 | NONE | | | | |
| 93466-1017 | 93464-0005 | NONE | a b c d e f | | OPEN | OPEN | NONE | NONE | | | | |
| 93466-1018 | 94006-0005 ZEUS | NONE | c d | | OPEN | OPEN | NONE | NONE | | | | |
| 93466-1019 | 94006-0005 ZEUS | NONE | NONE | | OPEN | OPEN | NONE | NONE | | | | |
| 93466-1020 | 93464-0005 | NONE | b d e | | OPEN | OPEN | NONE | NONE | | | | |
| 93466-1021 | 93464-0005 | NONE | a c f | | OPEN | OPEN | NONE | NONE | | | | |
| 93466-1022 | 93464-0005 | NONE | b c d e f | | OPEN | OPEN | NONE | NONE | | | | |
| 93466-1024 | 93464-0005 | CCT 3 | NONE | | OPEN | OPEN | NONE | NONE | | | | |
| 93466-1025 | 94006-0005 ZEUS | NONE | b d e | | OPEN | OPEN | NONE | NONE | | | | |
| 93466-1026 | 94006-0005 ZEUS | NONE | b c d e | | OPEN | OPEN | NONE | NONE | | | | |

AG1 NOTES

- + DENOTES TERMINAL VOIDED POSITION
 - ⊕ DENOTES TERMINAL LOADED POSITION
 - | DENOTES POLARIZING RIB POSITION
2. MOLEX HOUSING NO. FOR REFERENCE ONLY

| | | | | | | | | | | | | | |
|---|--|-------|------------------------|-------------------|---------|--------------|--------|------------|-----------------|----------|----------------|--|--|
| THIS DRAWING CONTAINS INFORMATION THAT IS PROPRIETARY TO MOLEX ELECTRONIC TECHNOLOGIES, LLC AND SHOULD NOT BE USED WITHOUT WRITTEN PERMISSION | | | | | | | | | | | | | |
| DIMENSION UNITS | | SCALE | | CURRENT REV DESC: | | | | | | | | | |
| mm | | 1:1 | | | | | | | | | | | |
| GENERAL TOLERANCES (UNLESS SPECIFIED) | | | | EC NO: 675456 | | | | | | | 2021/08/26 | | |
| ANGULAR TOL ± 0.5° | | | | DRWN: MBN02 | | | | | | | 2021/08/26 | | |
| 4 PLACES ± | | | | CHK'D: MBN02 | | | | | | | 2021/09/28 | | |
| 3 PLACES ± 0.05 | | | | APPR: SDEVITT | | | | | | | | | |
| 2 PLACES ± 0.1 | | | | INITIAL REVISION: | | | | | | | | | |
| 1 PLACE ± 0.2 | | | | DRWN: CFISHER01 | | | | | | | 2016/01/11 | | |
| 0 PLACES ± | | | | APPR: MSHANAHAN | | | | | | | 2016/02/09 | | |
| DRAFT WHERE APPLICABLE MUST REMAIN WITHIN DIMENSIONS | | | THIRD ANGLE PROJECTION | | DRAWING | | SERIES | | MATERIAL NUMBER | | CUSTOMER | | |
| | | | | | A2-SIZE | | 93466 | | SEE TABLE | | GENERAL MARKET | | |
| DOCUMENT STATUS | | | | P1 | | RELEASE DATE | | 2021/09/28 | | 05:26:26 | | | |

APPLI-MATE 2.5 FEMALE
G.W.T. 750 AND 850 VERSION GF MATERIAL

PRODUCT CUSTOMER DRAWING

DOCUMENT NUMBER: 934660001

DOC TYPE: PSD | DOC PART: 000 | REVISION: AG1

SHEET NUMBER: 7 OF 11

| 5 CIRCUIT | | | | | | | | |
|-------------|-----------------|------------------------|-----------------------|---------------|---------------|--------------|------------------------|---------------|
| PART NUMBER | HOUSING USED | TERMINAL VOID POSITION | REMOVED POSITION KEYS | CONFIGURATION | FIRST ENDWALL | LAST ENDWALL | POLARIZING RIB BETWEEN | COLOUR STRIPE |
| 93466-1027 | 94006-0005 ZEUS | NONE | a c e | | OPEN | OPEN | NONE | NONE |
| 93466-1028 | 94006-0005 ZEUS | NONE | a c f | | OPEN | OPEN | NONE | NONE |
| 93466-1030 | 94006-0405 ZEUS | NONE | NONE | | OPEN | OPEN | BETWEEN CCT 4&5 | NONE |
| 93466-1032 | 94006-0105 ZEUS | 4 | NONE | | OPEN | OPEN | BETWEEN CCT 1&2 | GREEN |
| 93466-1033 | 94006-0205 ZEUS | NONE | NONE | | OPEN | OPEN | BETWEEN CCT 2&3 | NONE |
| 93466-1034 | 94006-0005 ZEUS | NONE | c | | OPEN | OPEN | NONE | NONE |
| 93466-1035 | 94006-0005 ZEUS | NONE | e | | OPEN | OPEN | NONE | NONE |
| 93466-1036 | 94006-0105 ZEUS | NONE | NONE | | OPEN | OPEN | NONE | NONE |

| 6 CIRCUIT | | | | | | | | | | |
|-------------|-----------------|------------------------|-----------------------|---------------|---------------|--------------|------------------------|---------------|--|--|
| PART NUMBER | HOUSING USED | TERMINAL VOID POSITION | REMOVED POSITION KEYS | CONFIGURATION | FIRST ENDWALL | LAST ENDWALL | POLARIZING RIB BETWEEN | COLOUR STRIPE | | |
| 93466-1517 | 93464-0106 | NONE | a b | | OPEN | OPEN | BETWEEN CCT 1&2 | NONE | | |
| 93466-1518 | 93464-0506 | NONE | d f | | OPEN | OPEN | BETWEEN CCT 5&6 | NONE | | |
| 93466-1519 | 93464-0106 | NONE | a b c d | | OPEN | OPEN | BETWEEN CCT 1&2 | NONE | | |
| 93466-1520 | 93464-9904 | CCT 2,5 | NONE | | NARROW FLUSH | NARROW FLUSH | NONE | NONE | | |
| 93466-1521 | 93464-0306 | NONE | c f | | OPEN | OPEN | BETWEEN CCT 3&4 | NONE | | |
| 93466-1522 | 93464-0326 | CCT 2,5 | a b c | | CLOSED | CLOSED | BETWEEN CCT 3&4 | NONE | | |
| 93466-1523 | 93464-0426 | CCT 2,5 | e f g | | CLOSED | CLOSED | BETWEEN CCT 4&5 | NONE | | |
| 93466-1524 | 93464-0006 | CCT 2,5 | NONE | | OPEN | OPEN | NONE | RED | | |
| 93466-1525 | 93464-0006 | CCT 3,5 | NONE | | OPEN | OPEN | NONE | BLUE | | |
| 93466-1526 | 94006-0006 ZEUS | NONE | NONE | | OPEN | OPEN | NONE | NONE | | |
| 93466-1528 | 94006-0026 ZEUS | NONE | NONE | | CLOSED | CLOSED | NONE | NONE | | |
| 93466-1529 | 94006-0006 ZEUS | NONE | b c d e f | | OPEN | OPEN | NONE | NONE | | |
| 93466-1530 | 94006-0006 ZEUS | NONE | a c d e g | | OPEN | OPEN | NONE | NONE | | |
| 93466-1532 | 94006-0006 ZEUS | CCT 2,5 | NONE | | OPEN | OPEN | NONE | RED | | |
| 93466-1533 | 93464-0006 | NONE | b c d e f | | OPEN | OPEN | NONE | NONE | | |
| 93466-1534 | 93464-0006 | NONE | a g | | OPEN | OPEN | NONE | NONE | | |
| 93466-1535 | 94006-0006 ZEUS | CCT 2,4 | b d e f | | OPEN | OPEN | NONE | BLUE | | |
| 93466-1536 | 93464-0266 | NONE | NONE | | CLOSED | OPEN | BETWEEN CCT 2&3 | BLUE | | |
| 93466-1537 | 93464-9911 | NONE | NONE | | NARROW FLUSH | OPEN | BETWEEN CCT 2&3 | BLUE | | |
| 93466-1538 | 93464-0266 | NONE | a e | | CLOSED | OPEN | BETWEEN CCT 2&3 | NONE | | |
| 93466-1539 | 94006-0006 ZEUS | NONE | a b d e g | | OPEN | OPEN | NONE | NONE | | |
| 93466-1540 | 93464-0006 | NONE | d e f g | | OPEN | OPEN | NONE | NONE | | |
| 93466-1541 | 93464-0006 | NONE | a b e f | | OPEN | OPEN | NONE | NONE | | |
| 93466-1542 | 94006-0006 ZEUS | NONE | a b e f | | OPEN | OPEN | NONE | NONE | | |

| 6 CIRCUIT | | | | | | | | |
|-------------|--------------|------------------------|-----------------------|---------------|---------------|--------------|------------------------|---------------|
| PART NUMBER | HOUSING USED | TERMINAL VOID POSITION | REMOVED POSITION KEYS | CONFIGURATION | FIRST ENDWALL | LAST ENDWALL | POLARIZING RIB BETWEEN | COLOUR STRIPE |
| 93466-1501 | 93464-0006 | NONE | c d | | OPEN | OPEN | NONE | NONE |
| 93466-1502 | 93464-0006 | NONE | NONE | | OPEN | OPEN | NONE | NONE |
| 93466-1504 | 93464-0026 | CCT 2,5 | NONE | | CLOSED | CLOSED | NONE | NONE |
| 93466-1505 | 93464-0206 | NONE | NONE | | OPEN | OPEN | BETWEEN CCT 2&3 | NONE |
| 93466-1506 | 93464-0006 | CCT 2,4 | NONE | | OPEN | OPEN | NONE | NONE |
| 93466-1507 | 93464-0006 | NONE | c e g | | OPEN | OPEN | NONE | NONE |
| 93466-1508 | 93464-0006 | NONE | d f | | OPEN | OPEN | NONE | NONE |
| 93466-1509 | 93464-0026 | NONE | c d | | CLOSED | CLOSED | NONE | NONE |
| 93466-1510 | 93464-0006 | CCT 2,5 | NONE | | OPEN | OPEN | NONE | NONE |
| 93466-1511 | 93464-0006 | NONE | c e | | OPEN | OPEN | NONE | NONE |
| 93466-1512 | 93464-0006 | NONE | e f | | OPEN | OPEN | NONE | NONE |
| 93466-1513 | 93464-0006 | NONE | c e g | | OPEN | OPEN | NONE | NONE |
| 93466-1514 | 93464-0006 | NONE | a f | | OPEN | OPEN | NONE | NONE |
| 93466-1515 | 93464-0046 | CCT 2,5 | NONE | | OPEN | CLOSED | NONE | NONE |
| 93466-1516 | 93464-0046 | NONE | c d | | OPEN | CLOSED | NONE | NONE |

NOTES

- + DENOTES TERMINAL VOIDED POSITION
⊕ DENOTES TERMINAL LOADED POSITION
| DENOTES POLARIZING RIB POSITION
- MOLEX HOUSING NO. FOR REFERENCE ONLY

| | | | | | | | | | |
|---|--|------------------------|--|-------------------|--|-----------------|--|--------------------------------|--|
| THIS DRAWING CONTAINS INFORMATION THAT IS PROPRIETARY TO MOLEX ELECTRONIC TECHNOLOGIES, LLC AND SHOULD NOT BE USED WITHOUT WRITTEN PERMISSION | | | | | | | | | |
| DIMENSION UNITS | | SCALE | | CURRENT REV DESC: | | | | | |
| mm | | 1:1 | | | | | | | |
| GENERAL TOLERANCES (UNLESS SPECIFIED) | | | | EC NO: 675456 | | | | 2021/08/26 | |
| ANGULAR TOL ± 0.5° | | | | DRWN: MBN02 | | | | 2021/08/26 | |
| 4 PLACES ± | | | | CHK'D: MBN02 | | | | 2021/09/28 | |
| 3 PLACES ± 0.05 | | | | APPR: SDEVITT | | | | 2021/09/28 | |
| 2 PLACES ± 0.1 | | | | INITIAL REVISION: | | | | | |
| 1 PLACE ± 0.2 | | | | DRWN: CFISHER01 | | | | 2016/01/11 | |
| 0 PLACES ± | | | | APPR: MSHANAHAN | | | | 2016/02/09 | |
| DRAFT WHERE APPLICABLE MUST REMAIN WITHIN DIMENSIONS | | THIRD ANGLE PROJECTION | | DRAWING | | SERIES | | MATERIAL NUMBER | |
| | | | | A2-SIZE | | 93466 | | SEE TABLE | |
| CUSTOMER | | | | GENERAL MARKET | | DOCUMENT NUMBER | | DOC TYPE DOC PART REVISION | |
| | | | | | | 934660001 | | PSD 000 AG1 | |
| SHEET NUMBER | | | | 8 OF 11 | | | | | |

| 7 CIRCUIT | | | | | | | | |
|-------------|-----------------|------------------------|-----------------------|---------------|---------------|--------------|------------------------|---------------|
| PART NUMBER | HOUSING USED | TERMINAL VOID POSITION | REMOVED POSITION KEYS | CONFIGURATION | FIRST ENDWALL | LAST ENDWALL | POLARIZING RIB BETWEEN | COLOUR STRIPE |
| 93466-2001 | 93464-0007 | NONE | NONE | | OPEN | OPEN | NONE | NONE |
| 93466-2022 | 93464-0207 | NONE | NONE | | OPEN | OPEN | BETWEEN CCT 2&3 | BLUE |
| 93466-2023 | 93464-0007 | CCT 2,3,4,6 | NONE | | OPEN | OPEN | NONE | NONE |
| 93466-2024 | 93464-0207 | NONE | a b c d | | OPEN | OPEN | BETWEEN CCT 2&3 | NONE |
| 93466-2025 | 93464-0247 | NONE | NONE | | OPEN | CLOSED | BETWEEN CCT 2&3 | BLUE |
| 93466-2026 | 93464-0007 | NONE | b c d e f g | | OPEN | OPEN | NONE | NONE |
| 93466-2027 | 93464-0007 | NONE | a b d e g h | | OPEN | OPEN | NONE | NONE |
| 93466-2028 | 94006-0007 ZEUS | NONE | NONE | | OPEN | OPEN | NONE | NONE |
| 93466-2029 | 93464-0007 | CCT 4 | NONE | | OPEN | OPEN | NONE | NONE |
| 93466-2030 | 94006-0007 ZEUS | NONE | b c d e f g | | OPEN | OPEN | NONE | NONE |
| 93466-2031 | 94006-0007 ZEUS | NONE | b c d e g | | OPEN | OPEN | NONE | NONE |
| 93466-2032 | 94006-0007 ZEUS | NONE | a b d e g h | | OPEN | OPEN | NONE | NONE |
| 93466-2033 | 94006-0207 ZEUS | NONE | NONE | | OPEN | OPEN | BETWEEN CCT2&3 | NONE |
| 93466-2034 | 93464-0007 | NONE | a h | | OPEN | OPEN | NONE | NONE |
| 93466-2035 | 94006-0007 ZEUS | NONE | c d e | | OPEN | OPEN | NONE | NONE |
| 93466-2036 | 93464-1807 | CCT 4 | NONE | | OPEN | OPEN | BETWEEN CCT3&4 - 4&5 | NONE |
| 93466-2037 | 94006-0027 ZEUS | NONE | NONE | | CLOSED | CLOSED | NONE | NONE |
| 93466-2038 | 94006-0007 ZEUS | NONE | a b f g h | | OPEN | OPEN | NONE | NONE |
| 93466-2039 | 93464-0007 | NONE | a c d e h | | OPEN | OPEN | NONE | NONE |
| 93466-2040 | 93464-0007 | NONE | b c f g | | OPEN | OPEN | NONE | NONE |

| 8 CIRCUIT | | | | | | | | |
|-------------|-----------------|------------------------|-----------------------|---------------|---------------|--------------|------------------------|---------------|
| PART NUMBER | HOUSING USED | TERMINAL VOID POSITION | REMOVED POSITION KEYS | CONFIGURATION | FIRST ENDWALL | LAST ENDWALL | POLARIZING RIB BETWEEN | COLOUR STRIPE |
| 93466-2505 | 93464-0108 | NONE | NONE | | OPEN | OPEN | BETWEEN CCT 1&2 | NONE |
| 93466-2506 | 93464-0308 | NONE | NONE | | OPEN | OPEN | BETWEEN CCT 3&4 | NONE |
| 93466-2507 | 93464-0008 | CCT 5,7 | NONE | | OPEN | OPEN | NONE | NONE |
| 93466-2508 | 93464-0088 | CCT 5,7 | NONE | | NARROW | OPEN | NONE | NONE |
| 93466-2509 | 93464-0008 | NONE | b c d h i | | OPEN | OPEN | NONE | NONE |
| 93466-2510 | 93464-0368 | NONE | NONE | | CLOSED | OPEN | BETWEEN CCT 3&4 | NONE |
| 93466-2511 | 93464-0508 | NONE | a b c d | | OPEN | OPEN | BETWEEN CCT 5&6 | NONE |
| 93466-2512 | 93464-9905 | CCT 5,7 | b c d | | NARROW FLUSH | OPEN | NONE | NONE |
| 93466-2513 | 93464-0648 | CCT 5,7 | b c d | | OPEN | CLOSED | BETWEEN CCT 6&7 | NONE |
| 93466-2514 | 94006-0008 ZEUS | NONE | NONE | | OPEN | OPEN | NONE | NONE |
| 93466-2515 | 94006-0608 ZEUS | NONE | NONE | | OPEN | OPEN | BETWEEN CCT 6&7 | NONE |
| 93466-2516 | 94006-0708 ZEUS | NONE | NONE | | OPEN | OPEN | BETWEEN CCT 7&8 | NONE |
| 93466-2517 | 94006-0008 ZEUS | NONE | b c d e f g | | OPEN | OPEN | NONE | NONE |
| 93466-2518 | 94006-0008 ZEUS | NONE | a c d e f g i | | OPEN | OPEN | NONE | NONE |
| 93466-2519 | 94006-0008 ZEUS | NONE | a b d e f h i | | OPEN | OPEN | NONE | NONE |
| 93466-2520 | 94006-0008 ZEUS | NONE | c d e f g | | OPEN | OPEN | NONE | NONE |
| 93466-2521 | 94006-0208 ZEUS | NONE | NONE | | OPEN | OPEN | BETWEEN CCT2&3 | NONE |
| 93466-2522 | 94006-0028 ZEUS | NONE | NONE | | CLOSED | CLOSED | NONE | NONE |
| 93466-2523 | 94006-1308 ZEUS | NONE | NONE | | OPEN | OPEN | BETWEEN CCT1&2 - 7&8 | NONE |
| 93466-2524 | 94006-0008 ZEUS | NONE | b c d e f g h | | OPEN | OPEN | NONE | NONE |
| 93466-2525 | 94006-0328 ZEUS | NONE | NONE | | CLOSED | CLOSED | BETWEEN CCT 3&4 | NONE |

| 8 CIRCUIT | | | | | | | | |
|-------------|--------------|------------------------|-----------------------|---------------|---------------|--------------|------------------------|---------------|
| PART NUMBER | HOUSING USED | TERMINAL VOID POSITION | REMOVED POSITION KEYS | CONFIGURATION | FIRST ENDWALL | LAST ENDWALL | POLARIZING RIB BETWEEN | COLOUR STRIPE |
| 93466-2501 | 93464-0008 | NONE | c h i | | OPEN | OPEN | NONE | NONE |
| 93466-2502 | 93464-0008 | CCT 2 | NONE | | OPEN | OPEN | NONE | NONE |
| 93466-2503 | 93464-0008 | CCT 2,4 | NONE | | OPEN | OPEN | NONE | NONE |
| 93466-2504 | 93464-0068 | CCT 5,7 | NONE | | CLOSED | OPEN | NONE | NONE |

THIS DRAWING CONTAINS INFORMATION THAT IS PROPRIETARY TO MOLEX ELECTRONIC TECHNOLOGIES, LLC AND SHOULD NOT BE USED WITHOUT WRITTEN PERMISSION

| | | | | | | | |
|--|-------|------------------------|---------|--|-----------------|----------------|--------------|
| DIMENSION UNITS | SCALE | CURRENT REV DESC: | | molex | | | |
| mm | 1:1 | | | | | | |
| GENERAL TOLERANCES (UNLESS SPECIFIED) | | EC NO: 675456 | | APPLI-MATE 2.5 FEMALE | | | |
| ANGULAR TOL ± 0.5° | | DRWN: MBN02 | | G.W.T. 750 AND 850 VERSION GF MATERIAL | | | |
| 4 PLACES ± | | CHK'D: MBN02 | | PRODUCT CUSTOMER DRAWING | | | |
| 3 PLACES ± 0.05 | | APPR: SDEVITT | | DOCUMENT NUMBER | | | |
| 2 PLACES ± 0.1 | | INITIAL REVISION: | | 934660001 | | | |
| 1 PLACE ± 0.2 | | DRWN: CFISHER01 | | DOC TYPE DOC PART REVISION | | | |
| 0 PLACES ± | | APPR: MSHANAHAN | | PSD 000 AG1 | | | |
| DRAFT WHERE APPLICABLE MUST REMAIN WITHIN DIMENSIONS | | THIRD ANGLE PROJECTION | DRAWING | SERIES | MATERIAL NUMBER | CUSTOMER | SHEET NUMBER |
| | | | A2-SIZE | 93466 | SEE TABLE | GENERAL MARKET | 9 OF 11 |

| 9 CIRCUIT | | | | | | | | |
|-------------|-------------------|------------------------|-----------------------|---------------|---------------|--------------|------------------------|---------------|
| PART NUMBER | HOUSING USED | TERMINAL VOID POSITION | REMOVED POSITION KEYS | CONFIGURATION | FIRST ENDWALL | LAST ENDWALL | POLARIZING RIB BETWEEN | COLOUR STRIPE |
| 93466-3001 | 93464-0009 | NONE | NONE | | OPEN | OPEN | NONE | NONE |
| 93466-3002 | 93464-0009 | CCT 3, 5, 8 | NONE | | OPEN | OPEN | NONE | BLUE |
| 93466-3003 | 94006-0009 (ZEUS) | CCT 3, 5, 8 | c d e i j | | OPEN | OPEN | NONE | BLUE |
| 93466-3004 | 93464-0369 | NONE | NONE | | CLOSED | OPEN | BETWEEN CCT 3&4 | NONE |
| 93466-3005 | 93464-0209 | NONE | NONE | | OPEN | OPEN | BETWEEN CCT 2&3 | NONE |
| 93466-3006 | 94006-0009 (ZEUS) | NONE | b c d e f g h i | | OPEN | OPEN | NONE | NONE |
| 93466-3007 | 94006-0009 (ZEUS) | NONE | NONE | | OPEN | OPEN | NONE | NONE |
| 93466-3008 | 94006-0009 (ZEUS) | NONE | a c d e f g h j | | OPEN | OPEN | NONE | NONE |
| 93466-3009 | 94006-0009 (ZEUS) | CCT 3, 5, 8 | NONE | | OPEN | OPEN | NONE | BLUE |
| 93466-3010 | 93464-0009 | NONE | a j | | OPEN | OPEN | NONE | NONE |
| 93466-3011 | 94006-0009 (ZEUS) | NONE | d f g | | OPEN | OPEN | NONE | NONE |
| 93466-3012 | 94006-0029 (ZEUS) | NONE | NONE | | CLOSED | CLOSED | NONE | NONE |

| 10 CIRCUIT | | | | | | | | |
|-------------|-------------------|------------------------|-----------------------------|---------------|---------------|--------------|------------------------|---------------|
| PART NUMBER | HOUSING USED | TERMINAL VOID POSITION | REMOVED POSITION KEYS | CONFIGURATION | FIRST ENDWALL | LAST ENDWALL | POLARIZING RIB BETWEEN | COLOUR STRIPE |
| 93466-3510 | 93464-0010 | CCT 2,6,9 | NONE | | OPEN | OPEN | NONE | NONE |
| 93466-3501 | 93464-0010 | NONE | NONE | | OPEN | OPEN | NONE | NONE |
| 93466-3502 | 93464-0210 | NONE | a j | | OPEN | OPEN | BETWEEN CCT 2&3 | BLUE |
| 93466-3503 | 93464-0210 | NONE | a b c d | | OPEN | OPEN | BETWEEN CCT 2&3 | NONE |
| 93466-3504 | 93464-0010 | NONE | b c d e f g h i j | | OPEN | OPEN | NONE | NONE |
| 93466-3505 | 94006-0010 (ZEUS) | NONE | NONE | | OPEN | OPEN | NONE | NONE |
| 93466-3506 | 94006-0110 (ZEUS) | NONE | NONE | | OPEN | OPEN | BETWEEN CCT 1&2 | NONE |
| 93466-3507 | 94006-0010 (ZEUS) | NONE | b c d e f g h i j | | OPEN | OPEN | NONE | NONE |
| 93466-3508 | 94006-0010 (ZEUS) | CCT 2,5,7,9 | b c d e f g h i j | | OPEN | OPEN | NONE | BLUE |
| 93466-3509 | 94006-0010 (ZEUS) | NONE | c d f g i | | OPEN | OPEN | NONE | NONE |
| 93466-3511 | 94006-0030 (ZEUS) | NONE | NONE | | CLOSED | CLOSED | NONE | NONE |
| 93466-3512 | 94006-0010 (ZEUS) | NONE | c d e f g h i | | OPEN | OPEN | NONE | NONE |
| 93466-3513 | 93464-0010 | NONE | a b c d e f g h i j k (all) | | OPEN | OPEN | NONE | NONE |
| 93466-3514 | 93464-0010 | NONE | b c d e f | | OPEN | OPEN | NONE | NONE |
| 93466-3515 | 94006-0010 | NONE | b c d e f | | OPEN | OPEN | NONE | NONE |

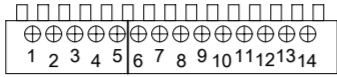
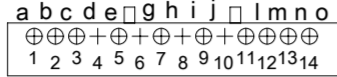
| 11 CIRCUIT | | | | | | | | |
|-------------|-------------------|------------------------|-----------------------|---------------|---------------|--------------|------------------------|---------------|
| PART NUMBER | HOUSING USED | TERMINAL VOID POSITION | REMOVED POSITION KEYS | CONFIGURATION | FIRST ENDWALL | LAST ENDWALL | POLARIZING RIB BETWEEN | COLOUR STRIPE |
| 93466-4001 | 93464-0011 | NONE | NONE | | OPEN | OPEN | NONE | NONE |
| 93466-4002 | 93464-0511 | NONE | a b c d | | OPEN | OPEN | BETWEEN CCT 5&6 | NONE |
| 93466-4003 | 94006-0011 (ZEUS) | NONE | NONE | | OPEN | OPEN | NONE | NONE |
| 93466-4004 | 94006-0911 (ZEUS) | NONE | b c d e f g h i j k | | OPEN | OPEN | BETWEEN CCT 9&10 | NONE |

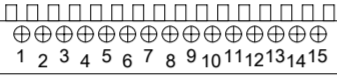
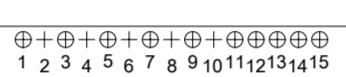
| 12 CIRCUIT | | | | | | | | |
|-------------|-------------------|------------------------|-----------------------|---------------|---------------|--------------|------------------------|---------------|
| PART NUMBER | HOUSING USED | TERMINAL VOID POSITION | REMOVED POSITION KEYS | CONFIGURATION | FIRST ENDWALL | LAST ENDWALL | POLARIZING RIB BETWEEN | COLOUR STRIPE |
| 93466-4501 | 93464-1132 | NONE | NONE | | CLOSED | CLOSED | BETWEEN CCT 11&12 | NONE |
| 93466-4502 | 93464-1632 | CCT 9,11 | b c d g h i | | CLOSED | CLOSED | BETWEEN CCT 2&3, 10&11 | NONE |
| 93466-4503 | 93464-0012 | CCT 2,11 | NONE | | OPEN | OPEN | NONE | NONE |
| 93466-4504 | 94006-0012 (ZEUS) | NONE | NONE | | OPEN | OPEN | NONE | NONE |
| 93466-4505 | 93464-1632 | NONE | b c d g h i | | CLOSED | CLOSED | BETWEEN CCT 2&3, 10&11 | NONE |
| 93466-4506 | 94006-0072 (ZEUS) | NONE | NONE | | CLOSED | OPEN | NONE | NONE |

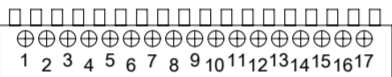
| 13 CIRCUIT | | | | | | | | |
|-------------|-------------------|------------------------|-----------------------|---------------|---------------|--------------|------------------------|---------------|
| PART NUMBER | HOUSING USED | TERMINAL VOID POSITION | REMOVED POSITION KEYS | CONFIGURATION | FIRST ENDWALL | LAST ENDWALL | POLARIZING RIB BETWEEN | COLOUR STRIPE |
| 93466-5001 | 93464-0013 | NONE | NONE | | OPEN | OPEN | NONE | NONE |
| 93466-5003 | 94006-0053 (ZEUS) | NONE | NONE | | OPEN | CLOSED | NONE | NONE |
| 93466-5004 | 94006-0033 (ZEUS) | NONE | NONE | | CLOSED | CLOSED | NONE | NONE |

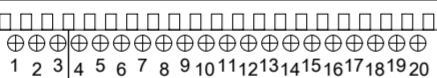
THIS DRAWING CONTAINS INFORMATION THAT IS PROPRIETARY TO MOLEX ELECTRONIC TECHNOLOGIES, LLC AND SHOULD NOT BE USED WITHOUT WRITTEN PERMISSION


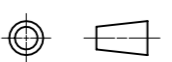
| | | | | |
|--|------------------------|-------------------|--------------|---|
| DIMENSION UNITS | SCALE | CURRENT REV DESC: | | molex |
| mm | 1:1 | | | |
| GENERAL TOLERANCES (UNLESS SPECIFIED) | | EC NO: 675456 | | APPLI-MATE 2.5 FEMALE G.W.T. 750 AND 850 VERSION GF MATERIAL |
| ANGULAR TOL | ± 0.5° | DRWN: MBN02 | 2021/08/26 | |
| 4 PLACES | ± | CHK'D: MBN02 | 2021/08/26 | PRODUCT CUSTOMER DRAWING |
| 3 PLACES | ± 0.05 | APPR: SDEVITT | 2021/09/28 | |
| 2 PLACES | ± 0.1 | INITIAL REVISION: | | DOCUMENT NUMBER |
| 1 PLACE | ± 0.2 | DRWN: CFISHER01 | 2016/01/11 | |
| 0 PLACES | ± | APPR: MSHANAHAN | 2016/02/09 | 934660001 |
| DRAFT WHERE APPLICABLE MUST REMAIN WITHIN DIMENSIONS | THIRD ANGLE PROJECTION | DRAWING | SERIES | MATERIAL NUMBER |
| | | A2-SIZE | 93466 | SEE TABLE |
| | | CUSTOMER | SHEET NUMBER | GENERAL MARKET |
| | | | 10 OF 11 | |

| 14 CIRCUIT | | | | | | | | |
|-------------|-----------------|------------------------|-------------------------|---|---------------|--------------|------------------------|---------------|
| PART NUMBER | HOUSING USED | TERMINAL VOID POSITION | REMOVED POSITION KEYS | CONFIGURATION | FIRST ENDWALL | LAST ENDWALL | POLARIZING RIB BETWEEN | COLOUR STRIPE |
| 93466-5501 | 93464-0534 | NONE | NONE |  | CLOSED | CLOSED | BETWEEN CCT 5&6 | NONE |
| 93466-5502 | 94006-0014 ZEUS | 4, 6, 8, 10 | abcdefghijklmnop mno |  | OPEN | OPEN | NONE | NONE |

| 15 CIRCUIT | | | | | | | | |
|-------------|-----------------|------------------------|-----------------------|---|---------------|--------------|------------------------|---------------|
| PART NUMBER | HOUSING USED | TERMINAL VOID POSITION | REMOVED POSITION KEYS | CONFIGURATION | FIRST ENDWALL | LAST ENDWALL | POLARIZING RIB BETWEEN | COLOUR STRIPE |
| 93466-6001 | 93464-0015 | NONE | NONE |  | OPEN | OPEN | NONE | NONE |
| 93466-6002 | 94006-0015 ZEUS | 2, 4, 6, 8, 10 | ALL |  | OPEN | OPEN | NONE | NONE |

| 17 CIRCUIT | | | | | | | | |
|-------------|-------------------|------------------------|-----------------------|---|---------------|--------------|------------------------|---------------|
| PART NUMBER | HOUSING USED | TERMINAL VOID POSITION | REMOVED POSITION KEYS | CONFIGURATION | FIRST ENDWALL | LAST ENDWALL | POLARIZING RIB BETWEEN | COLOUR STRIPE |
| 93466-7001 | 94006-0037 (ZEUS) | NONE | NONE |  | CLOSED | CLOSED | NONE | NONE |

| 20 CIRCUIT | | | | | | | | |
|-------------|-------------------|------------------------|-----------------------|---|---------------|--------------|------------------------|---------------|
| PART NUMBER | HOUSING USED | TERMINAL VOID POSITION | REMOVED POSITION KEYS | CONFIGURATION | FIRST ENDWALL | LAST ENDWALL | POLARIZING RIB BETWEEN | COLOUR STRIPE |
| 93466-8501 | 94006-0380 (ZEUS) | NONE | NONE |  | CLOSED | OPEN | BETWEEN CCT 3&4 | NONE |

| | | | | | | | | | | | | | |
|---|--|---|--|----------------------------|--|--------|--|-----------------|--|---|--|--------------|--|
| THIS DRAWING CONTAINS INFORMATION THAT IS PROPRIETARY TO MOLEX ELECTRONIC TECHNOLOGIES, LLC AND SHOULD NOT BE USED WITHOUT WRITTEN PERMISSION | | | | | | | | | | | | | |
| DIMENSION UNITS | | SCALE | | CURRENT REV DESC: | | | | | |  | | | |
| mm | | 1:1 | | | | | | | | | | | |
| GENERAL TOLERANCES (UNLESS SPECIFIED) | | | | EC NO: 675456 | | | | | | APPLI-MATE 2.5 FEMALE G.W.T. 750 AND 850 VERSION GF MATERIAL | | | |
| ANGULAR TOL ± 0.5° | | | | DRWN: MBN02 2021/08/26 | | | | | | | | | |
| 4 PLACES ± | | | | CHK'D: MBN02 2021/08/26 | | | | | | PRODUCT CUSTOMER DRAWING | | | |
| 3 PLACES ± 0.05 | | | | APPR: SDEVITT 2021/09/28 | | | | | | | | | |
| 2 PLACES ± 0.1 | | | | INITIAL REVISION: | | | | | | DOCUMENT NUMBER 934660001 | | | |
| 1 PLACE ± 0.2 | | | | DRWN: CFISHER01 2016/01/11 | | | | | | | | | |
| 0 PLACES ± | | | | APPR: MSHANAHAN 2016/02/09 | | | | | | DOC TYPE DOC PART REVISION PSD 000 AG1 | | | |
| DRAFT WHERE APPLICABLE MUST REMAIN WITHIN DIMENSIONS | | THIRD ANGLE PROJECTION | | DRAWING | | SERIES | | MATERIAL NUMBER | | CUSTOMER | | SHEET NUMBER | |
| | |  | | A2-SIZE | | 93466 | | SEE TABLE | | GENERAL MARKET | | 11 OF 11 | |

| | | | | |
|-----------------|----|--------------|------------|----------|
| DOCUMENT STATUS | P1 | RELEASE DATE | 2021/09/28 | 05:26:26 |
|-----------------|----|--------------|------------|----------|