

6

5

4

3

2

1

E

E

D

D

C

C

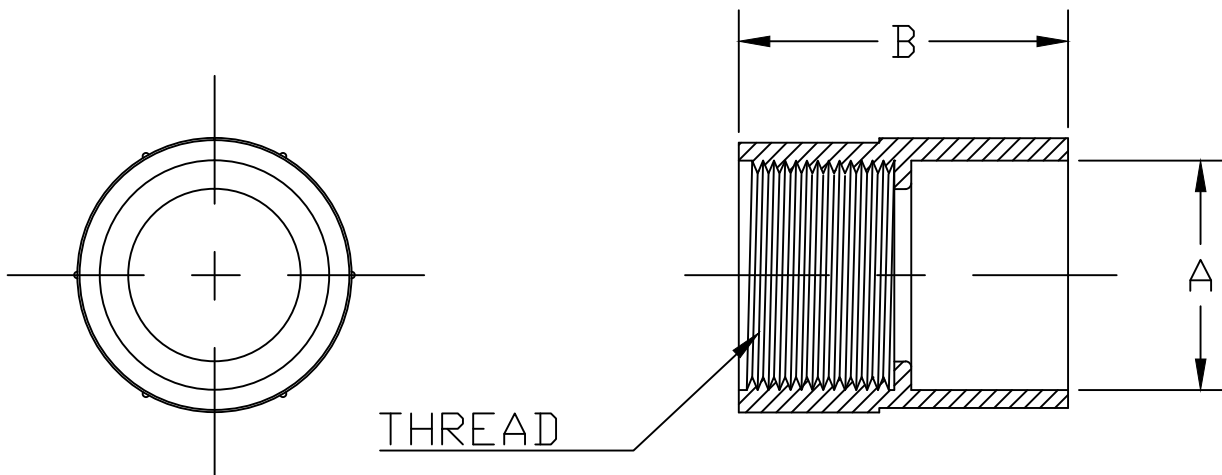
B

B

A

A

PACK 10 PIECES IN POLY BAG.



MATERIAL #	ENGINEERING#	THREAD	DIM. A	DIM. B	MATERIAL
1301280167	455-TA50	1/2"	.85(21.6)	1.47(37.3)	PVC
1301280168	455-TA75	3/4"	1.06(26.9)	1.61(40.9)	

EC NO: ICG2017-0082 DRWN: HKNEELAN 2016/07/25 CHKD: HKNEELAN 2016/07/25 APPR: JFMURPHY 2016/07/26	DESCRIPTION REV A	QUALITY SYMBOLS	GENERAL TOLERANCES (UNLESS SPECIFIED)	DIMENSION STYLE INCH(MM)		SCALE NTS	DESIGN UNITS INCH	THIRD ANGLE PROJECTION																												
		$\nabla=0$ $\sphericalangle=0$		<table border="1"> <tr> <th></th> <th>mm</th> <th>INCH</th> </tr> <tr> <td>4 PLACES</td> <td>±---</td> <td>±---</td> </tr> <tr> <td>3 PLACES</td> <td>±---</td> <td>±.005</td> </tr> <tr> <td>2 PLACES</td> <td>±0.13</td> <td>±.010</td> </tr> <tr> <td>1 PLACE</td> <td>±0.25</td> <td>±.020</td> </tr> </table>		mm	INCH	4 PLACES	±---	±---	3 PLACES	±---	±.005	2 PLACES	±0.13	±.010	1 PLACE	±0.25	±.020	<table border="1"> <tr> <td>DRAWN BY</td> <td>DATE</td> </tr> <tr> <td>HKNEELAN</td> <td>2014/04/21</td> </tr> <tr> <td>CHECKED BY</td> <td>DATE</td> </tr> <tr> <td>HKNEELAN</td> <td>2016/07/25</td> </tr> <tr> <td>APPROVED BY</td> <td>DATE</td> </tr> <tr> <td>JFMURPHY</td> <td>2016/07/26</td> </tr> </table>	DRAWN BY	DATE	HKNEELAN	2014/04/21	CHECKED BY	DATE	HKNEELAN	2016/07/25	APPROVED BY	DATE	JFMURPHY	2016/07/26	TITLE <b>THREADED ADAPTERS          SCHEDULE 40 1/2" &amp; 3/4"          PACKAGED</b>			
				mm	INCH																															
		4 PLACES		±---	±---																															
3 PLACES	±---	±.005																																		
2 PLACES	±0.13	±.010																																		
1 PLACE	±0.25	±.020																																		
DRAWN BY	DATE																																			
HKNEELAN	2014/04/21																																			
CHECKED BY	DATE																																			
HKNEELAN	2016/07/25																																			
APPROVED BY	DATE																																			
JFMURPHY	2016/07/26																																			
DRAFT WHERE APPLICABLE MUST REMAIN WITHIN DIMENSIONS			MATERIAL NO. <b>SEE CHART</b>		DOCUMENT NO. <b>SD-130126-007</b>		SHEET NO. <b>1 OF 1</b>																													

6

5

4

3

2

1

THIS DRAWING CONTAINS INFORMATION THAT IS PROPRIETARY TO MOLEX INCORPORATED AND SHOULD NOT BE USED WITHOUT WRITTEN PERMISSION