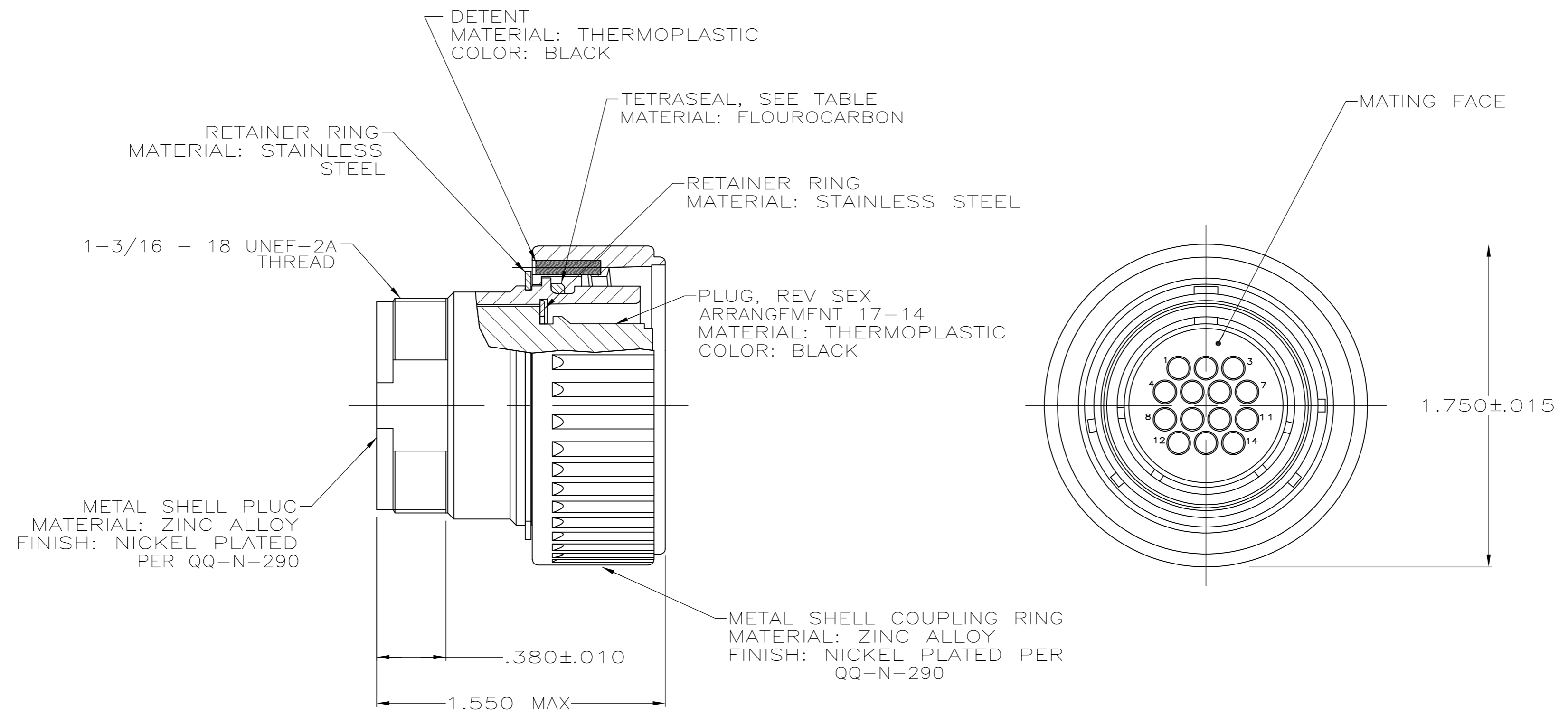
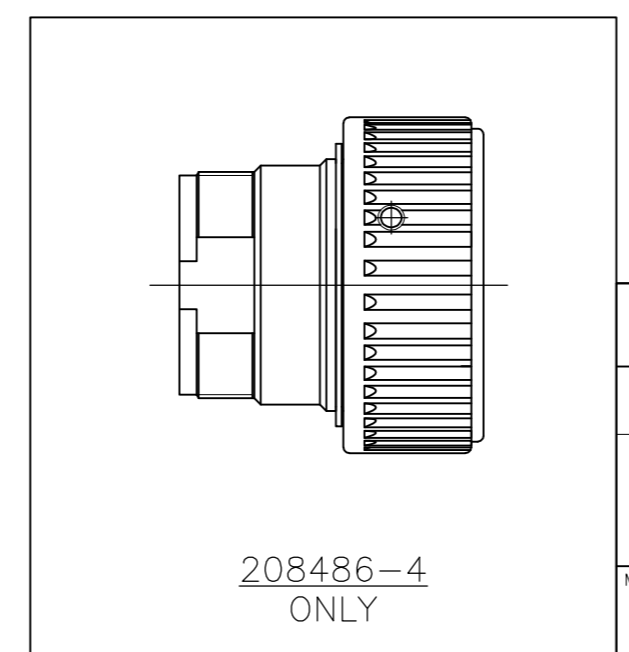


THIS DRAWING IS UNPUBLISHED. RELEASED FOR PUBLICATION  
 © COPYRIGHT - By - ALL RIGHTS RESERVED.

LOC		DIST		REVISIONS			
P	LTR	DESCRIPTION		DATE	DWN	APVD	
		P1		REVISED PER ECO-11-004917	11MAR11	RK HMR	



1. THIS PLUG ACCEPTS FOURTEEN (14) MULTIMATE PIN CONTACTS. MAXIMUM WIRE INSULATION DIAMETER = .105.
2. AMP PART NUMBER AND DATE CODE TO BE LOCATED ON COUPLING RING.



YES	YES	208486-4
NO	YES	208486-3
NO	NO	208486-1
SECONDARY LOCKING FEATURE	TETRASEAL	PART NUMBER

THIS DRAWING IS A CONTROLLED DOCUMENT.

DIMENSIONS: INCHES	TOLERANCES UNLESS OTHERWISE SPECIFIED:	DWN R.LEE BG 6-27-91	TE Connectivity	
	0 PLC ± -	CHK W.G.LENKER 4-20-92	PLUG ASSEMBLY, REV SEX, SERIES 1, 22-14, CMC	
	1 PLC ± -	APVD -	SIZE A2	CAGE CODE 00779
	2 PLC ± -	PRODUCT SPEC 108-10040	DRAWING NO C=208486	RESTRICTED TO -
	3 PLC ± -	APPLICATION SPEC -	SCALE 2:1	SHEET 1 of 1
MATERIAL SEE CALLOUT	FINISH SEE CALLOUT	WEIGHT -	REV P1	

CUSTOMER DRAWING