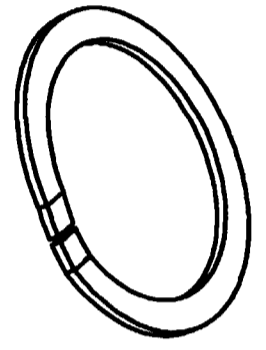
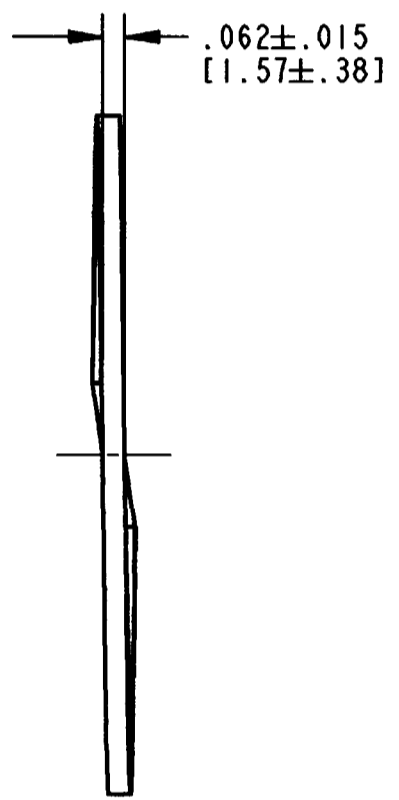
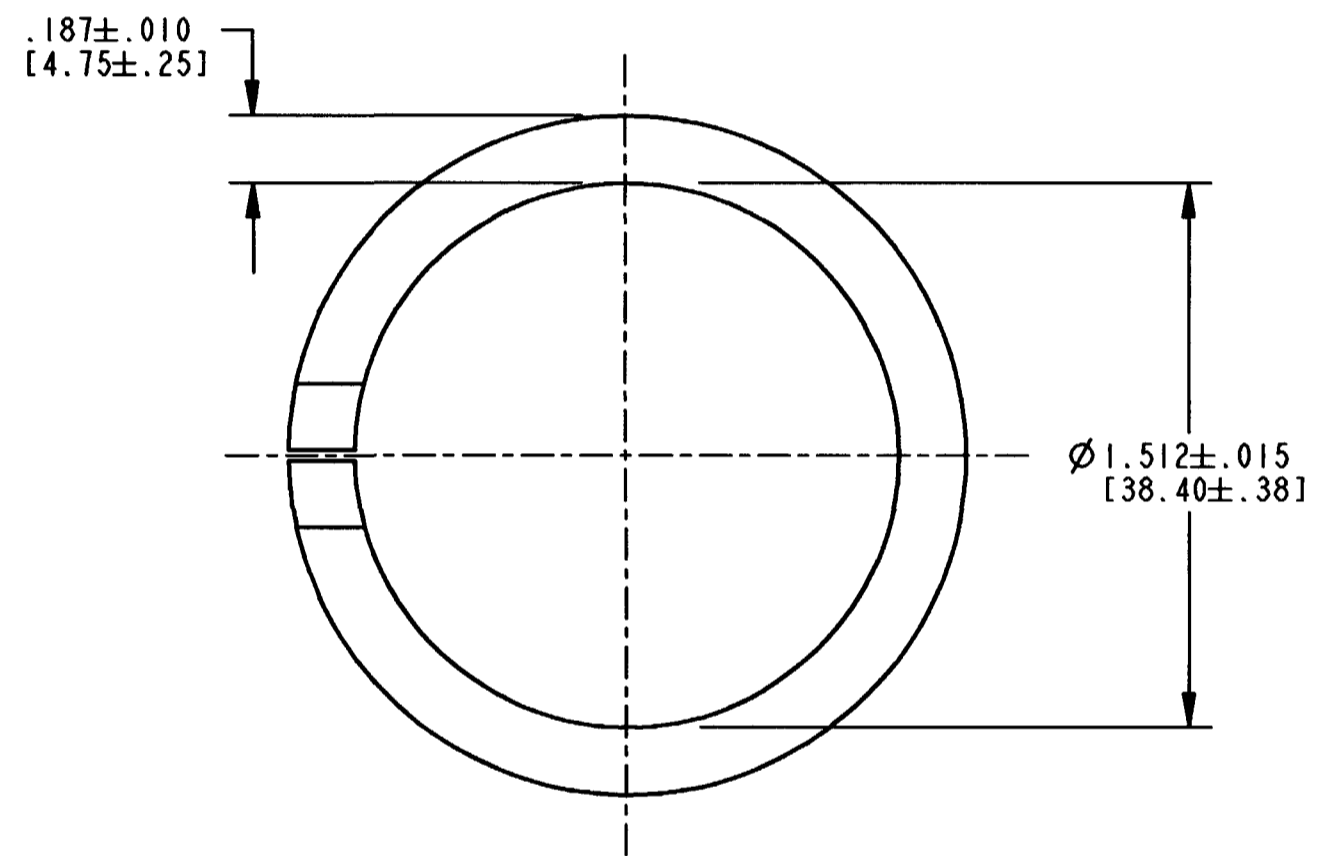


REV
D 114021

REVISIONS			
SYM	DESCRIPTION	DATE	APPROVED
B	REVISED/REDRAWN PER E.O. 73039	4/4/74	ANDREWS
C	REVISED PER E.O. P18581	6/14/04	R.D.R.
D	REVISED PER E.O. P19795	4-25-08	AD



3D VIEW

NOTES: 1. MATERIAL - STAINLESS STEEL.

SIGNATURE & DATE		LOCKWASHER RECEPTACLE BAYONET COUPLING CONNECTOR SIZE 18 HD SERIES ENVELOPE	CP	MATL. CODE	
DR	X. SANCHEZ 21MAY04		The Deutch Company DEUTSCH I.P.D. 3850 INDUSTRIAL AVE. HEMET, CALIF. 92545		
CHK	<i>[Signature]</i> 4/25/08		B DWG SIZE 11139	114021 SHEET OF	
PE	<i>[Signature]</i> 4/21/08				
APPD	<i>[Signature]</i> 4-23-08				
SCALE	NONE	WT			