

MM54HC192/MM74HC192 Synchronous Decade Up/Down Counters

MM54HC193/MM74HC193 Synchronous Binary Up/Down Counters

General Description

These high speed synchronous counters utilize advanced silicon-gate CMOS technology to achieve the high noise immunity and low power consumption of CMOS technology, along with the speeds of low power Schottky TTL. The MM54HC192/MM74HC192 is a decade counter, and the MM54HC193/MM74HC193 is a binary counter. Both counters have two separate clock inputs, an UP COUNT input and a DOWN COUNT input. All outputs of the flip-flops are simultaneously triggered on the low to high transition of either clock while the other input is held high. The direction of counting is determined by which input is clocked.

These counters may be preset by entering the desired data on the DATA A, DATA B, DATA C, and DATA D inputs. When the LOAD input is taken low the data is loaded independently of either clock input. This feature allows the counters to be used as divide-by-n counters by modifying the count length with the preset inputs.

In addition both counters can also be cleared. This is accomplished by inputting a high on the CLEAR input. All 4 internal stages are set to a low level independently of either COUNT input.

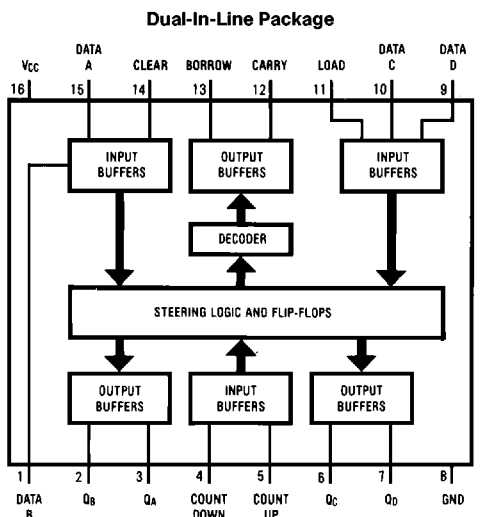
Both a BORROW and CARRY output are provided to enable cascading of both up and down counting functions. The BORROW output produces a negative going pulse when the counter underflows and the CARRY outputs a pulse when the counter overflows. The counters can be cascaded by connecting the CARRY and BORROW outputs of one device to the COUNT UP and COUNT DOWN inputs, respectively, of the next device.

All inputs are protected from damage due to static discharge by diodes to V_{CC} and ground.

Features

- Typical propagation delay, Count up to Q: 28 ns
- Typical operating frequency: 27 MHz
- Wide power supply range: 2-6V
- Low quiescent supply current: 80 μ A maximum (74HC Series)
- Low input current: 1 μ A maximum
- 4 mA output drive

Connection Diagram



Order Number MM54HC192/193 or MM74HC192/193

Truth Table

Count		Clear	Load	Function
Up	Down			
↑	H	L	H	Count Up
H	↑	L	H	Count Down
X	X	H	X	Clear
X	X	L	L	Load

H = high level
 L = low level
 ↑ = transition from low-to-high
 X = don't care

MM54HC192/MM74HC192 Synchronous Decade Up/Down Counters
 MM54HC193/MM74HC193 Synchronous Binary Up/Down Counters

Absolute Maximum Ratings (Notes 1 & 2)

If Military/Aerospace specified devices are required, please contact the National Semiconductor Sales Office/Distributors for availability and specifications.

Supply Voltage (V_{CC})	-0.5 to +7.0V
DC Input Voltage (V_{IN})	-1.5 to $V_{CC} + 1.5V$
DC Output Voltage (V_{OUT})	-0.5 to $V_{CC} + 0.5V$
Clamp Diode Current (I_{IK}, I_{OK})	± 20 mA
DC Output Current, per pin (I_{OUT})	± 25 mA
DC V_{CC} or GND Current, per pin (I_{CC})	± 50 mA
Storage Temperature Range (T_{STG})	-65°C to +150°C
Power Dissipation (P_D) (Note 3)	600 mW
S.O. Package only	500 mW
Lead Temp. (T_L) (Soldering 10 seconds)	260°C

Operating Conditions

	Min	Max	Units
Supply Voltage (V_{CC})	2	6	V
DC Input or Output Voltage (V_{IN}, V_{OUT})	0	V_{CC}	V
Operating Temp. Range (T_A)			
MM74HC	-40	+85	°C
MM54HC	-55	+125	°C
Input Rise or Fall Times (t_r, t_f)			
$V_{CC} = 2V$		1000	ns
$V_{CC} = 4.5V$		500	ns
$V_{CC} = 6.0V$		400	ns

DC Electrical Characteristics (Note 4)

Symbol	Parameter	Conditions	V_{CC}	$T_A = 25^\circ C$			74HC	54HC	Units
							$T_A = -40$ to $85^\circ C$	$T_A = -55$ to $125^\circ C$	
				Typ					
V_{IH}	Minimum High Level Input Voltage		2.0V		1.5	1.5	1.5	V	
			4.5V		3.15	3.15	3.15	V	
			6.0V		4.2	4.2	4.2	V	
V_{IL}	Maximum Low Level Input Voltage**		2.0V		0.5	0.5	0.5	V	
			4.5V		1.35	1.35	1.35	V	
			6.0V		1.8	1.8	1.8	V	
V_{OH}	Minimum High Level Output Voltage	$V_{IN} = V_{IH}$ or V_{IL} $ I_{OUT} \leq 20 \mu A$	2.0V	2.0	1.9	1.9	1.9	V	
			4.5V	4.5	4.4	4.4	4.4	V	
			6.0V	6.0	5.9	5.9	5.9	V	
		$V_{IN} = V_{IH}$ or V_{IL} $ I_{OUT} \leq 4.0$ mA $ I_{OUT} \leq 5.2$ mA	4.5V	4.2	3.98	3.84	3.7	V	
			6.0V	5.7	5.48	5.34	5.2	V	
V_{OL}	Maximum Low Level Output Voltage	$V_{IN} = V_{IH}$ or V_{IL} $ I_{OUT} \leq 20 \mu A$	2.0V	0	0.1	0.1	0.1	V	
			4.5V	0	0.1	0.1	0.1	V	
			6.0V	0	0.1	0.1	0.1	V	
		$V_{IN} = V_{IH}$ or V_{IL} $ I_{OUT} \leq 4.0$ mA $ I_{OUT} \leq 5.2$ mA	4.5V	0.2	0.26	0.33	0.4	V	
			6.0V	0.2	0.26	0.33	0.4	V	
I_{IN}	Maximum Input Current	$V_{IN} = V_{CC}$ or GND	6.0V		± 0.1	± 1.0	± 1.0	μA	
I_{CC}	Maximum Quiescent Supply Current	$V_{IN} = V_{CC}$ or GND $I_{OUT} = 0 \mu A$	6.0V		8.0	80	160	μA	

Note 1: Absolute Maximum Ratings are those values beyond which damage to the device may occur.

Note 2: Unless otherwise specified all voltages are referenced to ground.

Note 3: Power Dissipation temperature derating — plastic "N" package: -12 mW/°C from 65°C to 85°C; ceramic "J" package: -12 mW/°C from 100°C to 125°C.

Note 4: For a power supply of $5V \pm 10\%$ the worst case output voltages (V_{OH} and V_{OL}) occur for HC at 4.5V. Thus the 4.5V values should be used when designing with this supply. Worst case V_{IH} and V_{IL} occur at $V_{CC} = 5.5V$ and 4.5V respectively. (The V_{IH} value at 5.5V is 3.85V.) The worst case leakage current (I_{IN} , I_{CC} , and I_{OZ}) occur for CMOS at the higher voltage and so the 6.0V values should be used.

** V_{IL} limits are currently tested at 20% of V_{CC} . The above V_{IL} specification (30% of V_{CC}) will be implemented no later than Q1, CY'89.

AC Electrical Characteristics $T_A = 25^\circ\text{C}$, $V_{CC} = 5.0\text{V}$, $t_r = t_f = 6\text{ ns}$, $C_L = 15\text{ pF}$ (unless otherwise specified)

Symbol	Parameter	Conditions	Typ	Guaranteed Limit	Units	
f_{MAX}	Maximum Clock Frequency	Count Up	27	20	MHz	
		Count Down	31	24	MHz	
t_{PLH}	Maximum Propagation Delay Low to High	Count Up to Carry	17	26	ns	
t_{PHL}	Maximum Propagation Delay High to Low		18	24	ns	
t_{PLH}	Maximum Propagation Delay Low to High	Count Down to Borrow	16	24	ns	
t_{PHL}	Maximum Propagation Delay High to Low		15	24	ns	
t_{PLH}	Maximum Propagation Delay Low to High	Count Up Or Down to Q	28	40	ns	
t_{PHL}	Maximum Propagation Delay High to Low		36	52	ns	
t_{PLH}	Maximum Propagation Delay Low to High	Data or Load to Q	30	42	ns	
t_{PHL}	Maximum Propagation Delay High to Low		40	55	ns	
t_{PHL}	Maximum Propagation Delay High to Low	Clear to Q	35	47	ns	
t_w	Minimum Pulse Width	Clear	'HC192	40	52	ns
			'HC193	20	26	ns
		Load	'HC192	40	52	ns
			'HC193	10	20	ns
		Count Up/Down	15	22	ns	
t_{SD}	Minimum Setup time	Data to Load	10	20	ns	
t_{HD}	Minimum Hold Time		-3	0	ns	
t_{REM}	Minimum Removal Time	Clear Inactive to Clock		10	ns	

AC Electrical Characteristics $V_{CC} = 2.0\text{V to }6.0\text{V}$, $C_L = 50\text{ pF}$, $t_r = t_f = 6\text{ ns}$

Symbol	Parameter	Conditions	V_{CC}	$T_A = 25^\circ\text{C}$		74HC	54HC	Units
				Typ	Guaranteed Limits		$T_A = -40\text{ to }85^\circ\text{C}$	
f_{MAX}	Maximum Clock Frequency	Count Up	2.0V	5	3	2.5	2	MHz
			4.5V	25	18	14	12	MHz
			6.0V	29	20	16	13	MHz
		Count Down	2.0V	5	4	3	2	MHz
			4.5V	27	20	16	11	MHz
			6.0V	31	23	18	12	MHz
t_{PLH}	Maximum Propagation Delay Low to High	Count Up	2.0V	30	140	175	210	ns
t_{PHL}	Maximum Propagation Delay High to Low		4.5V	13	28	35	42	ns
			6.0V	11	24	30	36	ns
		2.0V	39	130	163	195	ns	
t_{PHL}	Maximum Propagation Delay High to Low	to Carry	4.5V	16	26	33	39	ns
			6.0V	14	22	28	33	ns

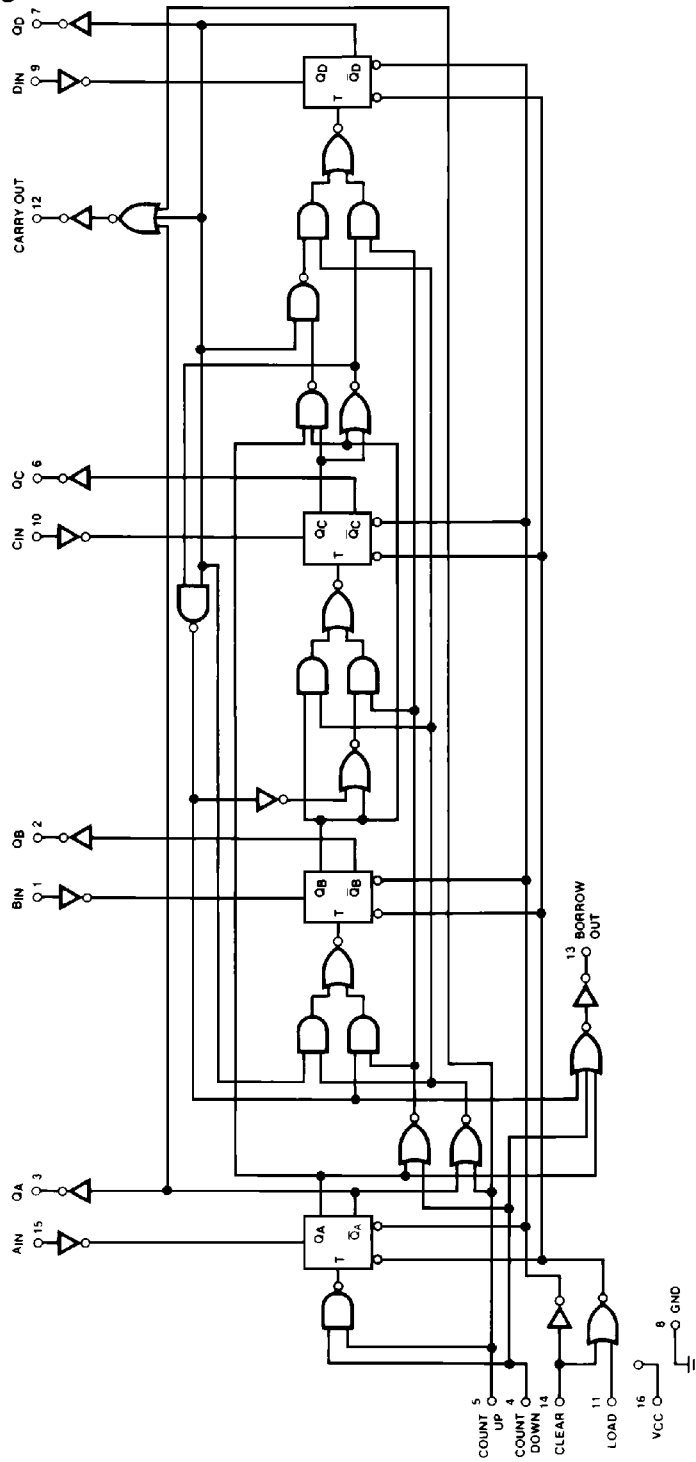
AC Electrical Characteristics (Continued) $V_{CC} = 2.0V$ to $6.0V$, $C_L = 50$ pF, $t_r = t_f = 6$ ns

Symbol	Parameter	Conditions	V_{CC}	$T_A = 25^\circ C$		74HC	54HC	Units	
						$T_A = -40$ to $85^\circ C$	$T_A = -55$ to $125^\circ C$		
				Typ	Guaranteed Limits				
t_{PLH}, t_{PHL}	Maximum Propagation Delay	Count Down to Borrow	2.0V	39	130	163	195	ns	
			4.5V	16	26	33	39	ns	
			6.0V	14	22	28	33	ns	
t_{TLH}, t_{THL}	Maximum Output Rise and Fall Time		2.0V	30	75	95	110	ns	
			4.5V	8	15	19	22	ns	
			6.0V	7	13	16	19	ns	
t_{PLH}	Maximum Propagation Delay Low to High	Count Up Or Down to Q	2.0V	77	215	269	323	ns	
			4.5V	35	43	54	65	ns	
			6.0V	30	37	46	55	ns	
t_{PHL}	Maximum Propagation Delay High to Low	Data or Load to Q	2.0V	95	275	344	413	ns	
			4.5V	45	55	69	83	ns	
			6.0V	38	47	59	71	ns	
t_{PLH}	Maximum Propagation Delay Low to High	Clear to Q	2.0V	85	230	288	345	ns	
			4.5V	37	46	58	69	ns	
			6.0V	30	39	49	59	ns	
t_{PHL}	Maximum Propagation Delay High to Low	Clear or Load	2.0V	102	290	363	435	ns	
			4.5V	47	58	73	87	ns	
			6.0V	39	49	61	74	ns	
t_w	Minimum Pulse Width	Clear or Load	'HC192	2.0V	85	265	331	398	ns
				4.5V	42	53	66	80	ns
				6.0V	38	45	56	68	ns
		Load	'HC193	2.0V	31	100	125	150	ns
				4.5V	10	20	25	30	ns
				6.0V	9	17	21	26	ns
		Count Up/Down		2.0V	43	110	138	165	ns
				4.5V	17	22	28	33	ns
				6.0V	15	19	24	29	ns
		Clear	'HC193	2.0V	70	130	163	195	ns
				4.5V	21	26	33	39	ns
				6.0V	19	22	28	33	ns
t_{SD}	Minimum Setup Time	Data To Load	2.0V	30	100	125	150	ns	
			4.5V	10	20	25	30	ns	
			6.0V	9	17	22	25	ns	
t_{HD}	Minimum Hold Time	Clear Inactive to Clock	2.0V	-30	0	0	0	ns	
			4.5V	-3	0	0	0	ns	
			6.0V	-3	0	0	0	ns	
t_{REM}	Minimum Removal Time		2.0V	-20	10	10	10	ns	
			4.5V	-3	10	10	10	ns	
			6.0V	-2	10	10	10	ns	
t_r, t_f	Maximum Count Up or Down Input Rise & Fall Time		2.0V		500	500	500	ns	
			4.5V		300	300	300	ns	
			6.0V		200	200	200	ns	
C_{IN}	Input Capacitance			5	10	10	10	pF	
C_{PD}	Power Dissipation Capacitance (Note 5)			100				pF	

Note 5: C_{PD} determines the no load dynamic power consumption, $P_D = C_{PD} V_{CC}^2 f + I_{CC} V_{CC}$, and the no load dynamic current consumption, $I_S = C_{PD} V_{CC} f + I_{CC}$.

Logic Diagrams

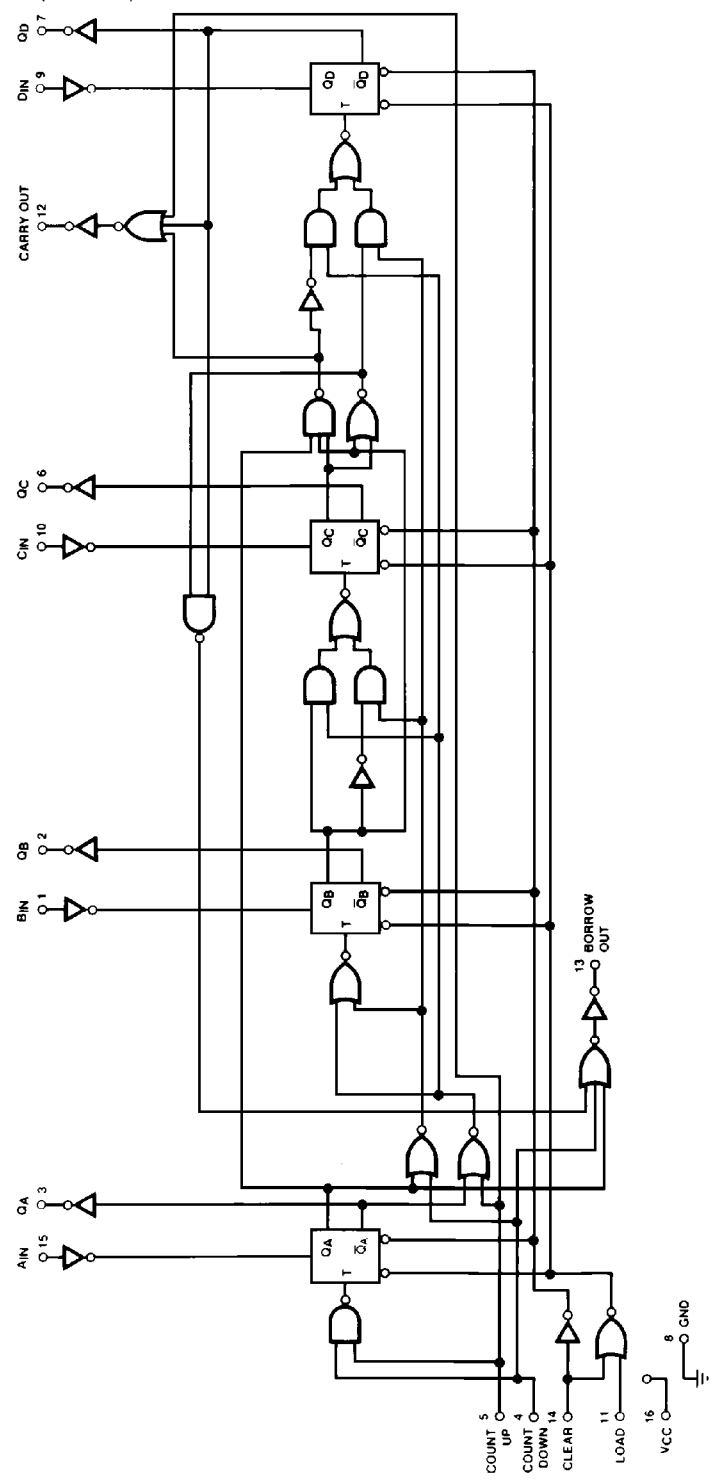
MM54HC192 Synchronous 4-Bit Up/Down Decade Counter



TL/F/5011-2

Logic Diagrams (Continued)

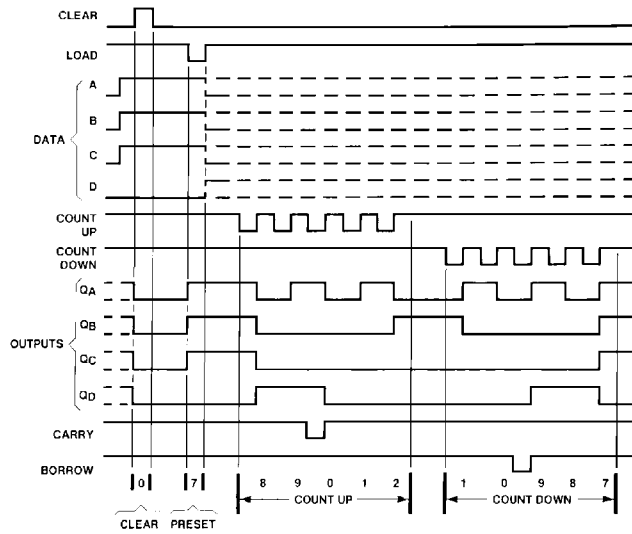
MM54HC193 Synchronous 4-Bit Up/Down Binary Counter



TL/F/5011-3

Logic Waveforms

'HC192 Synchronous Decade Counters Typical Clear, Load, and Count Sequences

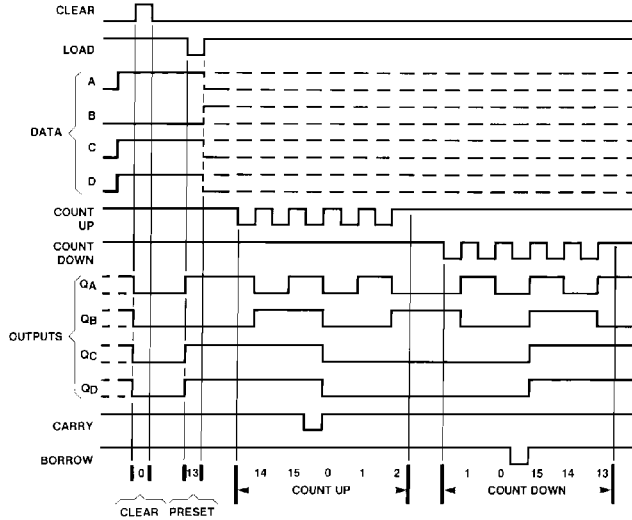


TL/F/5011-4

Sequences:

- (1) Clear outputs to zero
- (2) Load (preset) to BCD seven.
- (3) Count up to eight, nine, carry, zero, one and two.
- (4) Count down to one, zero, borrow, nine, eight, and seven.

'HC193 Synchronous Binary Counters Typical Clear, Load, and Count Sequences



TL/F/5011-5

Sequence:

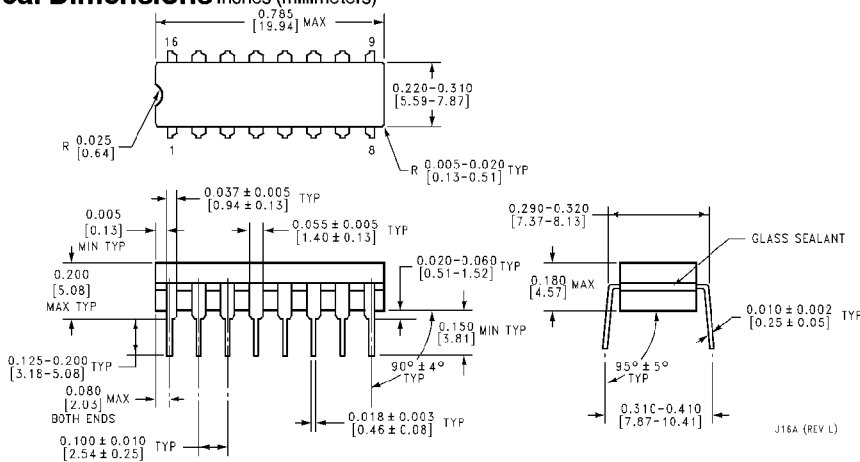
- (1) Clear outputs to zero.
- (2) Load (preset) to binary thirteen
- (3) Count up to fourteen, fifteen, carry, zero, one, and two.
- (4) Count down to one, zero, borrow, fifteen, fourteen, and thirteen.

Note A: Clear overrides load data, and count inputs.

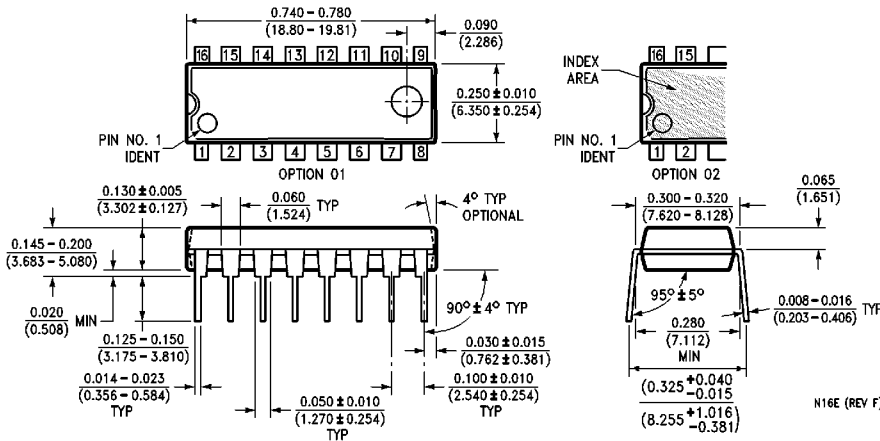
Note B: When counting up, count-down input must be high; when counting down, count-up input must be high.

**MM54HC192/MM74HC192 Synchronous Decade Up/Down Counters
MM54HC193/MM74HC193 Synchronous Binary Up/Down Counters**

Physical Dimensions inches (millimeters)



**Order Number MM54HC192J, MM54HC193J, MM74HC192J or MM74HC193J
NS Package J16A**



**Order Number MM74HC192N or MM74HC193N
NS Package N16E**

LIFE SUPPORT POLICY

NATIONAL'S PRODUCTS ARE NOT AUTHORIZED FOR USE AS CRITICAL COMPONENTS IN LIFE SUPPORT DEVICES OR SYSTEMS WITHOUT THE EXPRESS WRITTEN APPROVAL OF THE PRESIDENT OF NATIONAL SEMICONDUCTOR CORPORATION. As used herein:

1. Life support devices or systems are devices or systems which, (a) are intended for surgical implant into the body, or (b) support or sustain life, and whose failure to perform, when properly used in accordance with instructions for use provided in the labeling, can be reasonably expected to result in a significant injury to the user.
2. A critical component is any component of a life support device or system whose failure to perform can be reasonably expected to cause the failure of the life support device or system, or to affect its safety or effectiveness.



National Semiconductor Corporation
1111 West Bardin Road
Arlington, TX 76017
Tel: (800) 272-9959
Fax: (800) 737-7018

National Semiconductor Europe
Fax: (+49) 0-180-530 85 86
Email: onjwge@tevm2.nsc.com
Deutsch Tel: (+49) 0-180-530 85 85
English Tel: (+49) 0-180-532 78 32
Français Tel: (+49) 0-180-532 93 58
Italiano Tel: (+49) 0-180-534 16 80

National Semiconductor Hong Kong Ltd.
13th Floor, Straight Block,
Ocean Centre, 5 Canton Rd.
Tsimshatsui, Kowloon
Hong Kong
Tel: (852) 2737-1600
Fax: (852) 2736-9960

National Semiconductor Japan Ltd.
Tel: 81-043-299-2309
Fax: 81-043-299-2408

National does not assume any responsibility for use of any circuitry described, no circuit patent licenses are implied and National reserves the right at any time without notice to change said circuitry and specifications.