

Chassis Mount

CH / CL Series

Filter Chokes - Single and Dual Windings

Signal's CH and CL Filter Chokes are designed to complement the Step Down Multi-Tapped Isolating transformers. When combined, the Multi-Tapped Transformer and Filter Choke support the development platform of highly reliable conventional DC Power Supplies.

General Specifications

- Inductance - 0.12 mHY to 100 mHY
- DC Current - 1.0 ADC to 200 ADC
- Insulation System - Class B insulation, 130° C



CH / CL Series Datasheet

Part Number Selection

| Part Number | Inductance | Current | Resistance | Mounting Style | Dimensions | | | | | Mounting Screw | Weight |
|-------------|------------|---------|------------|----------------|-----------------|-----------------|-----------------|-----------------|-----------------|----------------|-----------------|
| | | | | | L | W | H | ML | MW | | |
| | mHY | Amps | Ohms | | Inches (mm) | | | | | lbs (kg) | |
| CH-1 | 100 | 1 | 1.5 | B | 3.00 (76.2) | 2.50 (63.5) | 2.50 (63.5) | 2.50 (63.5) | 2.00 (50.8) | #8 | 2.3 (1.04) |
| CH-2 | 70 | 2 | 0.9 | B | 3.37 (85.7) | 2.75 (69.9) | 2.87 (73.0) | 2.81 (71.4) | 2.12 (53.9) | #8 | 3.2 (1.45) |
| CH-4 | 70 | 4 | 0.6 | B | 3.75 (95.3) | 3.12 (79.4) | 3.25 (82.6) | 3.12 (79.4) | 2.50 (63.5) | #8 | 5.3 (2.40) |
| CH-6 | 40 | 6 | 0.4 | B | 3.75 (95.3) | 3.62 (92.1) | 3.25 (82.6) | 3.12 (79.4) | 3.00 (76.2) | #8 | 6.5 (2.95) |
| CH-8 | 30 | 8 | 0.3 | B | 4.12 (104.8) | 3.62 (92.1) | 3.50 (88.9) | 3.43 (87.3) | 3.00 (76.2) | #10 | 8 (3.63) |
| CH-12 | 15 | 12 | 0.1 | B | 5.25 (133.4) | 4.00 (101.6) | 4.43 (112.7) | 4.37 (111.1) | 3.12 (79.4) | #10 | 13.7 (6.21) |
| CH-16 | 15 | 16 | 0.08 | B | 5.25 (133.4) | 4.62 (117.5) | 4.43 (112.7) | 4.37 (111.1) | 3.62 (92.0) | #10 | 17.5 (7.94) |
| CH-20 | 7 | 20 | 0.05 | B | 5.25 (133.4) | 4.00 (101.6) | 4.43 (112.7) | 4.37 (111.1) | 3.12 (79.4) | #10 | 13.3 (6.03) |
| CH-25 | 5 | 25 | 0.025 | B | 5.25 (133.4) | 4.75 (120.7) | 4.43 (112.7) | 4.37 (111.1) | 3.87 (98.4) | #10 | 17.8 (8.07) |
| CH-30 | 4 | 30 | 0.01 | B | 6.37 (161.9) | 5.00 (127.0) | 5.37 (136.5) | 5.31 (134.9) | 3.37 (85.7) | 1/4 | 24.4 (11.07) |
| CH-50 | 1.4 | 50 | 0.01 | B | 6.37 (161.9) | 5.25 (133.4) | 5.37 (136.5) | 5.31 (134.9) | 3.75 (95.3) | 1/4 | 26.7 (12.11) |
| CH-100 | 0.5 | 100 | 0.005 | B | 6.37 (161.9) | 6.25 (158.8) | 5.37 (136.5) | 5.31 (134.9) | 4.12 (104.8) | 1/4 | 31.4 (14.24) |
| CH-200 | 0.3 | 200 | 0.001 | B | 7.50 (190.5) | 7.50 (190.5) | 6.25 (158.8) | 6.75 (171.5) | 4.12 (104.8) | 1/4 | 48.0 (21.77) |

| Part Number | Series Connected | | | Parallel Connected | | | Mounting Style | Dimensions | | | | | Mounting Screw | Weight |
|-------------|------------------|-------|--------|--------------------|-------|--------|----------------|-----------------|----------------|----------------|----------------|----------------|----------------|---------------|
| | Ind. | Curr. | Res. | Ind. | Curr. | Res. | | L | W | H | ML | MW | | |
| | mHY | Amps | Ohms | mHY | Amps | Ohms | | Inches (mm) | | | | | lbs (kg) | |
| CL-1-2 | 72 | 1 | 1.4 | 18 | 2 | 0.35 | C | 2.87 (73.0) | 1.75 (44.5) | 2.31 (58.7) | 2.37 (60.3) | — | #8 | 0.9 (0.41) |
| CL-2-4 | 40 | 2 | 0.7 | 10 | 4 | 0.18 | C | 3.12 (79.4) | 2.12 (53.9) | 2.75 (69.9) | 2.81 (71.4) | — | #8 | 1.5 (0.68) |
| CL-4-8 | 20 | 4 | 0.3 | 5 | 8 | 0.075 | B | 3.00 (76.2) | 2.87 (73.0) | 2.50 (63.5) | 2.50 (63.5) | 2.50 (63.5) | #8 | 3.0 (1.36) |
| CL-6-12 | 12 | 6 | 0.15 | 3 | 12 | 0.038 | B | 3.37 (85.7) | 3.06 (77.7) | 2.81 (71.4) | 2.81 (71.4) | 2.50 (63.5) | #8 | 4.0 (1.81) |
| CL-12-24 | 4.8 | 12 | 0.052 | 1.2 | 24 | 0.013 | B | 3.37 (85.7) | 3.56 (90.5) | 2.81 (71.4) | 2.81 (71.4) | 3.00 (76.2) | #8 | 5.3 (2.40) |
| CL-25-50 | 1.2 | 25 | 0.012 | 0.3 | 50 | 0.003 | B | 3.75 (95.3) | 3.37 (85.7) | 3.37 (85.7) | 3.12 (79.4) | 2.75 (69.9) | #8 | 6.0 (2.72) |
| CL-50-100 | 0.5 | 50 | 0.0043 | 0.12 | 100 | 0.0011 | B | 4.50 (114.3) | 3.75 (95.3) | 3.75 (95.3) | 3.75 (95.3) | 2.50 (63.5) | #8 | 8.0 (3.63) |

Signal's dual chokes are supplied with 2 windings which may be series or parallel connected with rating shown on chart. This line is designed for applications requiring lower inductance value at high currents such as low voltage, DC supplies or SCR filters.



Custom versions available upon request.

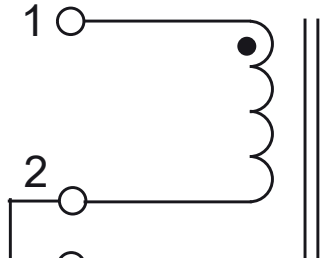


128 Atlantic Avenue, Lynbrook, NY 11563
 Toll Free 866-239-5777 | Tel 516-239-5777 | Fax 516-239-7208
 sales@signaltransformer.com | techhelp@signaltransformer.com

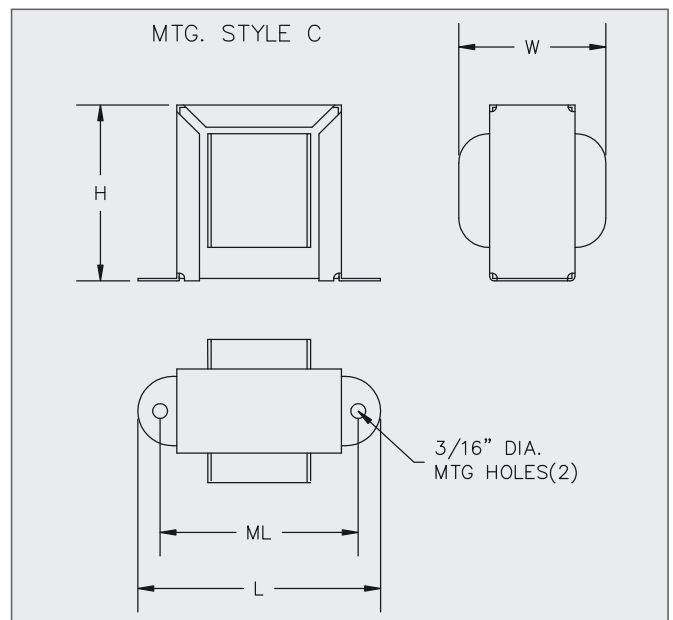
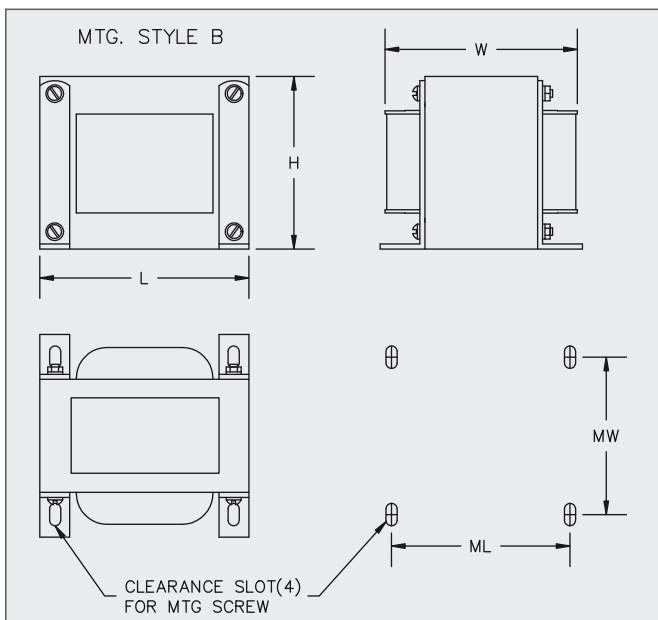
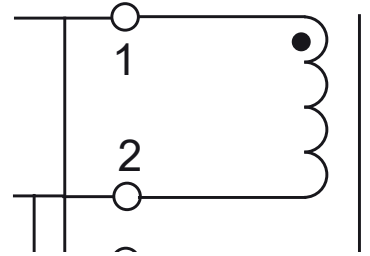
belfuse.com/signal

Mechanical Specifications

Series



Parallel



Custom versions available upon request.



128 Atlantic Avenue, Lynbrook, NY 11563
 Toll Free 866-239-5777 | Tel 516-239-5777 | Fax 516-239-7208
 sales@signaltransformer.com | techhelp@signaltransformer.com

belfuse.com/signal