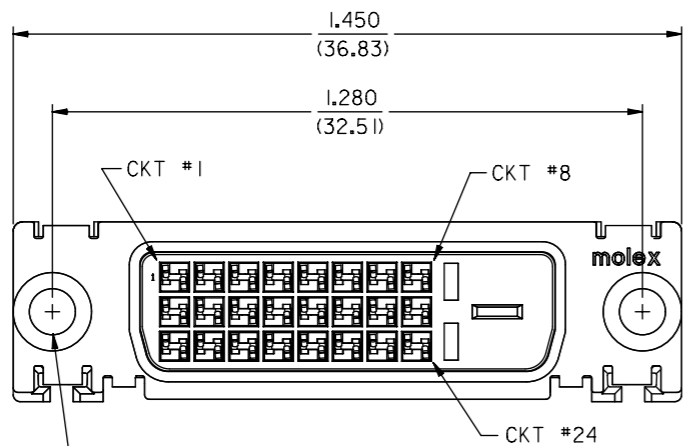
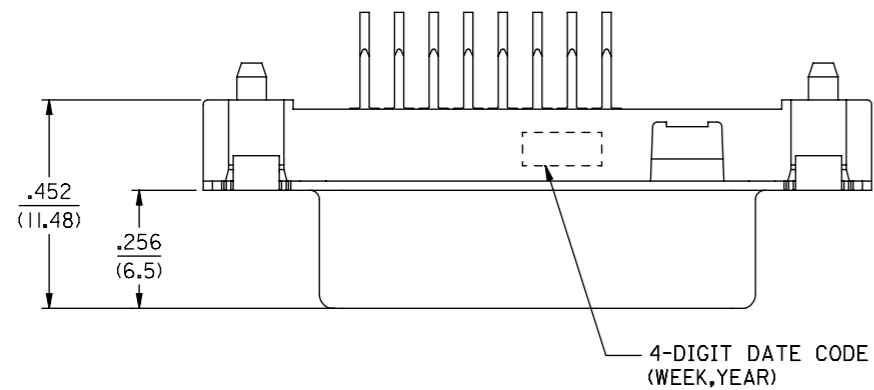
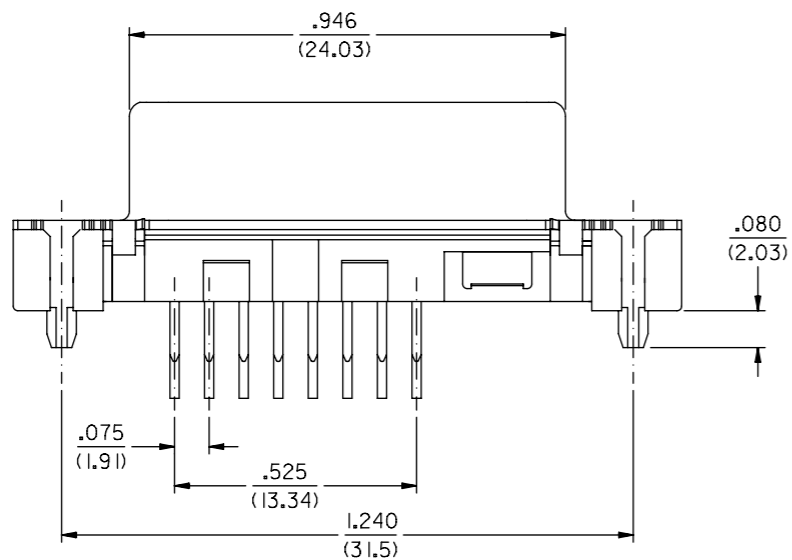
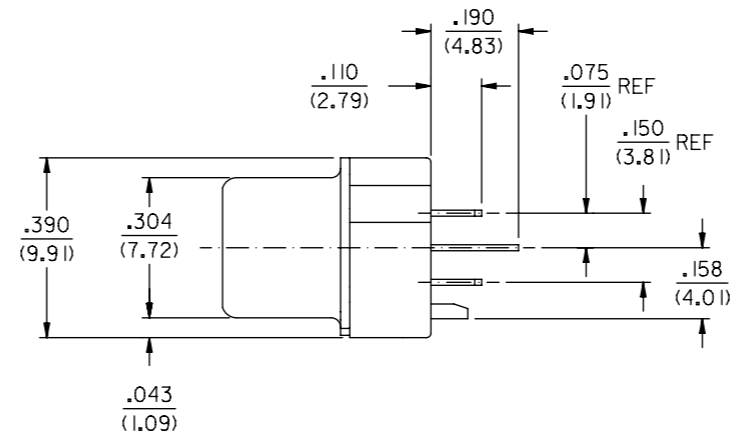


NOTES:

1. MATERIAL:  
SHIELD: DEEP DRAW STEEL;  
HOUSING: LCP, UL94V-0, NATURAL (WHITE);  
CONTACT: COPPER ALLOY.
2. PLATING OPTION #1:  
OUTER SHIELD: 60u"/(1.5um) MIN. SOLDERABLE NICKEL OVER  
30u"/(0.75um) MIN. COPPER OVERALL.  
0.075"/(1.91mm) CONTACTS: SELECT GOLD FLASH AND  
100u"/(2.50um) MIN. SELECT PURE TIN  
OVER 50u"/(1.27um) MIN. NICKEL OVERALL.
3. PLATING OPTION #2:  
OUTER SHIELD: 60u"/(1.5um) MIN. SOLDERABLE NICKEL OVER  
30u"/(0.75um) MIN. COPPER OVERALL.  
0.075"/(1.91mm) CONTACTS: 30u"/(0.75um) MIN. SELECT GOLD AND  
100u"/(2.50um) MIN. SELECT PURE TIN  
OVER 50u"/(1.27um) MIN. NICKEL OVERALL.
4. PRODUCT CONFORMS TO MOLEX PRODUCT SPECIFICATION NUMBER PS-74320-001.
5. PARTS WILL BE PACKAGED IN TRAYS PER PK-74320-010.
6. PRODUCT CONFORMS TO DDWG DVI SPECIFICATION. REFER TO THIS SPECIFICATION FOR CONNECTOR MATING DIMENSIONS.
7. REFER TO PRODUCT SPECIFICATION NUMBER PS-74320-001 FOR THIS APPLICATION TORQUE REQUIREMENT.



#4-40 THREAD (2X)  
(SEE NOTE #6)



74320-7001	2
74320-7000	1
PART NUMBER	PLATING OPTION

THIS DRAWING CONTAINS INFORMATION THAT IS PROPRIETARY TO MOLEX ELECTRONIC TECHNOLOGIES, LLC AND SHOULD NOT BE USED WITHOUT WRITTEN PERMISSION																			
QUALITY SYMBOLS	CHANGE SHELL PLATING	EC NO: 118825	DRWN: XQZHANG	CHK'D: XQZHANG	REV APPR: AYIN	GENERAL TOLERANCES (UNLESS SPECIFIED)		DIMENSION UNITS	SCALE										
						ANGULAR TOL ± 1.0 °		INCH	1:1										
▽A = 0						4 PLACES ± 0.01		DRWN BY	DATE	DVI - DIGITAL VERTICAL RECEPTACLE ASSEMBLY, FOR ADAPTER									
▽E = 0						3 PLACES ± 0.01	XQZHANG	2014/12/11											
▽F = 0						2 PLACES ± 0.01		CHK'D BY	DATE	PRODUCT CUSTOMER DRAWING									
▽ = 0						1 PLACE ±	XQZHANG	2014/12/10											
▽C = 0						0 PLACES ±		APPR BY	DATE	<table border="1"> <tr> <td>SERIES</td> <td>MATERIAL NUMBER</td> <td>CUSTOMER</td> </tr> <tr> <td>74320</td> <td>SEE TABLE</td> <td>GENERAL MARKET</td> </tr> </table>		SERIES	MATERIAL NUMBER	CUSTOMER	74320	SEE TABLE	GENERAL MARKET		
SERIES	MATERIAL NUMBER	CUSTOMER																	
74320	SEE TABLE	GENERAL MARKET																	
⊗ = 0						DRAFT WHERE APPLICABLE MUST REMAIN WITHIN DIMENSIONS		AYIN	2015/02/09	<table border="1"> <tr> <td>DOCUMENT NUMBER</td> <td>DOC TYPE</td> <td>DOC PART</td> <td>SHEET NUMBER</td> </tr> <tr> <td>SD-74320-011</td> <td>PSD</td> <td>000</td> <td>1 OF 1</td> </tr> </table>		DOCUMENT NUMBER	DOC TYPE	DOC PART	SHEET NUMBER	SD-74320-011	PSD	000	1 OF 1
DOCUMENT NUMBER	DOC TYPE	DOC PART	SHEET NUMBER																
SD-74320-011	PSD	000	1 OF 1																
■ = 0							DRAWING SIZE	THIRD ANGLE PROJECTION											
▽ = 0						A3													

RELEASE STATUS	RELEASE DATE
----------------	--------------