

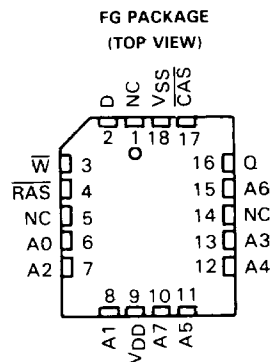
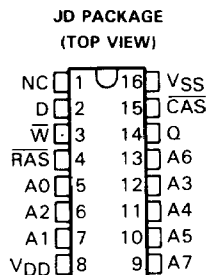
SMJ4164

65,536-BIT DYNAMIC RANDOM-ACCESS MEMORY

JULY 1985 — REVISED MAY 1988

- 65,536 × 1 Organization
- Single 5-V Supply ($\pm 10\%$ Tolerance)
- Upward Pin Compatible with '4116 (16K Dynamic RAM)
- Available Temperature Ranges with MIL-STD-883C High-Reliability Class B Processing:
 - S . . . -55°C to 110°C
 - L . . . 0°C to 70°C
- Long Refresh Period . . . 4 ms
- Low Refresh Overhead Time . . . As Low As 1.8% of Total Refresh Period
- All Inputs, Outputs, Clocks Fully TTL Compatible
- 3-State Unlatched Output
- Common I/O Capability with Early Write Feature
- Page-Mode Operation for Faster Access
- Low Power Dissipation
 - Operating . . . 125 mW (Typ)
 - Standby . . . 17.5 mW (Typ)
- Performance Ranges:

	ACCESS TIME	ACCESS TIME	READ OR WRITE CYCLE	READ-MODIFY-WRITE CYCLE
	(MAX)	(MAX)	(MIN)	(MIN)
'4164-12	120 ns	70 ns	230 ns	260 ns
'4164-15	150 ns	85 ns	260 ns	285 ns
'4164-20	200 ns	135 ns	326 ns	345 ns
- SMOS (Scaled-MOS) N-Channel Technology



PIN NOMENCLATURE	
A0-A7	Address Inputs
$\overline{\text{CAS}}$	Column-Address Strobe
D	Data In
NC	No Connection
Q	Data Out
$\overline{\text{RAS}}$	Row-Address Strobe
VDD	5-V Supply
VSS	Ground
$\overline{\text{W}}$	Write Enable

description

The SMJ4164 is a Military high-speed, 65,536-bit, dynamic random-access memory, organized as 65,536 words of one bit each. It employs state-of-the-art SMOS (scaled MOS) N-channel double-level polysilicon gate technology for very high performance combined with low cost and improved reliability.

The SMJ4164 features $\overline{\text{RAS}}$ access times of 120 ns, 150 ns, and 200 ns maximum. Power dissipation is 125 mW typical operating and 17.5 mW typical standby.

SMJ4164

65,536-BIT DYNAMIC RANDOM-ACCESS MEMORY

Refresh period is extended to 4 milliseconds, and during this period each of the 256 rows must be strobed with \overline{RAS} in order to retain data. \overline{CAS} can remain high during the refresh sequence to conserve power.

All inputs and outputs, including clocks, are compatible with Series 54/74 TTL. All address lines and data in are latched on-chip to simplify system design. Data out is unlatched to allow greater system flexibility. Pin 1 has no internal connection to allow compatibility with other 64K RAMs that use this pin for an additional function.

The SMJ4164 is offered in a 16-pin dual-in-line ceramic sidebrazed package (JD suffix) and in a leadless ceramic chip carrier package (FG suffix). The JD package is designed for insertion in mounting-hole rows on 7,62-mm (300-mil) centers, whereas the FG package is intended for surface mounting on solder lands on 1,27-mm (0.050-inch) centers. The FG package is a three-layer, 18-pad, rectangular ceramic chip carrier with dimensions of 7,37 × 10,8 × 1,65 mm (0.290 × 0.425 × 0.065 inches).

operation

address (A0 through A7)

Sixteen address bits are required to decode 1 of 65,536 storage cell locations. Eight row-address bits are set up on pins A0 through A7 and latched onto the chip by the row-address strobe (\overline{RAS}). Then the eight column-address bits are set up on pins A0 through A7 and latched onto the chip by the column-address strobe (\overline{CAS}). All addresses must be stable on or before the falling edges of \overline{RAS} and \overline{CAS} . \overline{RAS} is similar to a chip enable in that it activates the sense amplifiers as well as the row decoder. \overline{CAS} is used as a chip select activating the column decoder and the input and output buffers.

write enable (\overline{W})

The read or write mode is selected through the write-enable (\overline{W}) input. A logic high on the \overline{W} input selects the read mode and a logic low selects the write mode. The write-enable terminal can be driven from standard TTL circuits without a pull-up resistor. The data input is disabled when the read mode is selected. When \overline{W} goes low prior to \overline{CAS} , data-out will remain in the high-impedance state for the entire cycle, permitting common I/O operation.

data in (D)

Data is written during a write or read-modify-write cycle. Depending on the mode of operation, the falling edge of \overline{CAS} or \overline{W} strobes data into the on-chip data latch. This latch can be driven from standard TTL circuits without a pull-up resistor. In an early write cycle, \overline{W} is brought low prior to \overline{CAS} and the data is strobed in by \overline{CAS} with setup and hold times referenced to this signal. In a delayed write or read-modify-write cycle, \overline{CAS} will already be low, thus the data will be strobed in by \overline{W} with setup and hold times referenced to this signal.

data out (Q)

The three-state output buffer provides direct TTL compatibility (no pull-up resistor required) with a fanout of two Series 54/74 TTL loads. Data out is the same polarity as data in. The output is in the high-impedance (floating) state until \overline{CAS} is brought low. In a read cycle the output goes active after the access time interval $t_{a(C)}$ that begins with the negative transition of \overline{CAS} as long as $t_{a(R)}$ is satisfied. The output becomes valid after the access time has elapsed and remains valid while \overline{CAS} is low; \overline{CAS} going high returns it to a high-impedance state. In an early write cycle, the output is always in the high-impedance state. In a delayed-write or read-modify-write cycle, the output will follow the sequence for the read cycle.

refresh

A refresh operation must be performed at least every four milliseconds to retain data. Since the output buffer is in the high-impedance state unless \overline{CAS} is applied, the \overline{RAS} -only refresh sequence avoids any output during refresh. Strobing each of the 256 row addresses (A0 through A7) with \overline{RAS} causes all bits in each row to be refreshed. \overline{CAS} can remain high (inactive) for this refresh sequence to conserve power.



SMJ4164 65,536-BIT DYNAMIC RANDOM-ACCESS MEMORY

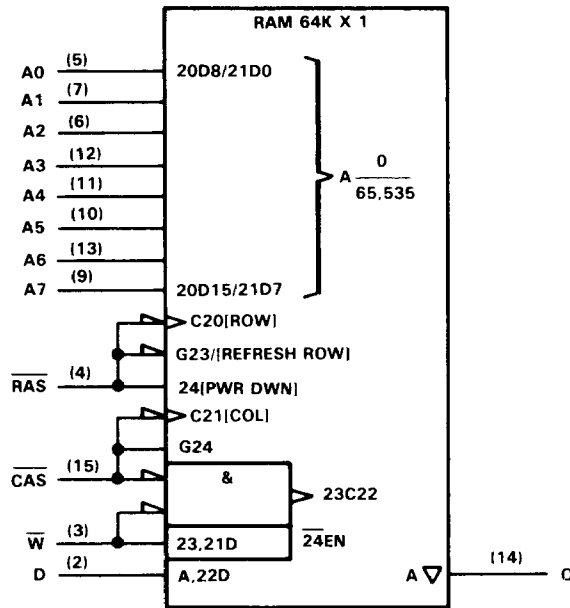
page mode

Page-mode operation allows effectively faster memory access by keeping the same row address and strobing successive column addresses onto the chip. Thus, the time required to set up and strobe sequential row addresses for the same page is eliminated. To extend beyond the 256 column locations on a single RAM, the row address and RAS are applied to multiple 64K RAMs. CAS is then decoded to select the proper RAM.

power up

After power up, the power supply must remain at its steady-state value for 1 ms. In addition, $\overline{\text{RAS}}$ must remain high for 100 μs immediately prior to initialization. Initialization consists of performing eight $\overline{\text{RAS}}$ cycles before proper device operation is achieved.

logic symbol†



†This symbol is in accordance with ANSI/IEEE Std 91-1984 and IEC Publication 617-12. Pin numbers shown are for the dual-in-line package.

SMJ4164
65,536-BIT DYNAMIC RANDOM-ACCESS MEMORY

recommended operating conditions

		S VERSION			L VERSION			UNIT
		MIN	NOM	MAX	MIN	NOM	MAX	
V _{DD}	Supply voltage	4.5	5	5.5	4.5	5	5.5	V
V _{SS}	Supply voltage	0			0			V
V _{IH}	High-level input voltage	2.4	V _{CC} +0.3		2.4	V _{CC} +0.3		V
V _{IL}	Low-level input voltage (see Notes 3 and 4)	-0.6	0.8		-0.6	0.8		V
T _A	Operating free-air temperature	-55			0			°C
T _C	Operating case temperature	110			70			°C

- NOTES: 2. The algebraic convention, where the more negative (less positive) limit is designated as minimum, is used in this data sheet for logic voltage levels only.
3. Due to input protection circuitry, the applied voltage may begin to clamp at -0.6 V. Test conditions must comprehend this occurrence.

electrical characteristics over full ranges of recommended operating conditions (unless otherwise noted)

PARAMETER	TEST CONDITIONS	SMJ4164-12		SMJ4164-15		UNIT		
		MIN	TYP [†]	MAX	MIN		TYP [†]	MAX
V _{OH}	High-level output voltage	I _{OH} = -5 mA		2.4	2.4	V		
V _{OL}	Low-level output voltage	I _{OL} = 4.2 mA		0.4	0.4	V		
I _I	Input current (leakage)	V _I = 0 V to 5.8 V, V _{DD} = 5.5 V All outputs open		± 10		μA		
I _O	Output current (leakage)	V _O = 0.4 V to 5.5 V, V _{DD} = 5 V, CAS high		± 10		μA		
I _{DD1} [‡]	Average operating current during read or write cycle	t _C = minimum cycle, All outputs open		40	48	35	45	mA
I _{DD2} [§]	Standby current	After 1 memory cycle, RAS and CAS high, All outputs open		3.5	5	3.5	5	mA
I _{DD3} [‡]	Average refresh current	t _C = minimum cycle, CAS high and RAS cycling, All outputs open		28	40	25	37	mA
I _{DD4}	Average page-mode current	t _C (P) = minimum cycle, RAS low and CAS cycling, All outputs open		28	40	25	37	mA

[†]All typical values are at T_C = 25°C and nominal supply voltages.

[‡]Additional information on last page of data sheet.

[§]V_{IL} § -0.6 V.



SMJ4164
65,536-BIT DYNAMIC RANDOM-ACCESS MEMORY

electrical characteristics over full ranges of recommended operating conditions (unless otherwise noted)

PARAMETER		TEST CONDITIONS	SMJ4164-20			UNIT
			MIN	TYP†	MAX	
V _{OH}	High-level output voltage	I _{OH} = -5 mA	2.4			V
V _{OL}	Low-level output voltage	I _{OL} = 4.2 mA				0.4
I _I	Input current (leakage)	V _I = 0 V to 5.8 V, V _{DD} = 5.5 V, Output = open				± 10
I _O	Output current (leakage)	V _O = 0.4 V to 5.5 V, V _{DD} = 5 V, CAS high				± 10
I _{DD1} ‡	Average operating current during read or write cycle	t _C = minimum cycle All outputs open	27	37		mA
I _{DD2} §	Standby current	After 1 memory cycle, RAS and CAS high, All outputs open	3.5	5		mA
I _{DD3} ‡	Average refresh current	t _C = minimum cycle, CAS high and RAS cycling, All outputs open	20	32		mA
I _{DD4}	Average page-mode current	t _{C(P)} = minimum cycle, RAS low and CAS cycling, All outputs open	20	32		mA

†All typical values are at T_C = 25°C and nominal supply voltages.

‡Additional information on last page of data sheet.

§V_{IL} > -0.6 V.

capacitance over recommended supply voltage range and recommended temperature range, f = 1 MHz†

PARAMETER		SMJ4164		UNIT
		TYP†	MAX	
C _{I(A)}	Input capacitance, address inputs	4	7	pF
C _{I(D)}	Input capacitance, data input	4	7	pF
C _{I(RC)}	Input capacitance, strobe inputs	8	10	pF
C _{I(W)}	Input capacitance, write enable input	8	10	pF
C _O	Output capacitance	5	8	pF

†All typical values are at T_C = 25°C and nominal supply voltages.

‡These parameters are guaranteed but not tested.

SMJ4164
65,536-BIT DYNAMIC RANDOM-ACCESS MEMORY

switching characteristics over recommended supply voltage range and recommended operating temperature range

PARAMETER		TEST CONDITIONS	ALT. SYMBOL	SMJ4164-12		SMJ4164-15		UNIT
				MIN	MAX	MIN	MAX	
$t_{a(C)}$	Access time from \overline{CAS}	$C_L = 80$ pF, see Figure 1	t_{CAC}	70		85		ns
$t_{a(R)}$	Access time from \overline{RAS}	$C_L = 80$ pF, $t_{RLCL} = MAX$, see Figure 1	t_{RAC}	120		150		ns
$t_{dis(CH)}$	Output disable time after \overline{CAS} high	$C_L = 80$ pF, see Figure 1	t_{OFF}	0	40	0	40	ns

PARAMETER		TEST CONDITIONS	ALT. SYMBOL	SMJ4164-20		UNIT
				MIN	MAX	
$t_{a(C)}$	Access time from \overline{CAS}	$C_L = 80$ pF, see Figure 1	t_{CAC}	135		ns
$t_{a(R)}$	Access time from \overline{RAS}	$C_L = 80$ pF, $t_{RLCL} = MAX$, see Figure 1	t_{RAC}	200		ns
$t_{dis(CH)}$	Output disable time after \overline{CAS} high	$C_L = 80$ pF, see Figure 1	t_{OFF}	0	50	ns

SMJ4164 65,536-BIT DYNAMIC RANDOM-ACCESS MEMORY

timing requirements over recommended supply voltage range and recommended operating temperature range

PARAMETER	ALT. SYMBOL	SMJ4164-12		SMJ4164-15		UNIT
		MIN	MAX	MIN	MAX	
$t_{c(P)}$ Page-mode cycle time	t_{PC}	130		160		ns
$t_{c(rd)}$ Read cycle time [†]	t_{RC}	230		260		ns
$t_{c(W)}$ Write cycle time	t_{WC}	230		260		ns
$t_{c(rdW)}$ Read-write/read-modify-write cycle time	t_{RWC}	260		285		ns
$t_{w(CH)}$ Pulse duration, \overline{CAS} high (precharge time) [‡]	t_{CP}	50		50		ns
$t_{w(CL)}$ Pulse duration, \overline{CAS} low [§]	t_{CAS}	70	10,000	85	10,000	ns
$t_{w(RH)}$ Pulse duration, \overline{RAS} high (precharge time)	t_{RP}	80		100		ns
$t_{w(RL)}$ Pulse duration, \overline{RAS} low [¶]	t_{RAS}	120	10,000	150	10,000	ns
$t_{w(W)}$ Write pulse duration	t_{WP}	40		45		ns
$t_{su(CA)}$ Column-address setup time	t_{ASC}	-5		-5		ns
$t_{su(RA)}$ Row-address setup time	t_{ASR}	0		0		ns
$t_{su(D)}$ Data setup time	t_{DS}	0		0		ns
$t_{su(rd)}$ Read-command setup time	t_{RCS}	0		0		ns
$t_{su(WCH)}$ Write-command setup time before \overline{CAS} high	t_{CWL}	50		50		ns
$t_{su(WRH)}$ Write-command setup time before \overline{RAS} high	t_{RWL}	50		50		ns
$t_h(CLCA)$ Column-address hold time after \overline{CAS} low	t_{CAH}	40		45		ns
$t_h(RA)$ Row-address hold time	t_{RAH}	15		20		ns
$t_h(RLCA)$ Column-address hold time after \overline{RAS} low	t_{AR}	85		95		ns
$t_h(CLD)$ Data hold time after \overline{CAS} low	t_{DHC}	40		45		ns
$t_h(RLD)$ Data hold time after \overline{RAS} low	t_{DHR}	85		95		ns
$t_h(WLD)$ Data hold time after \overline{W} low	t_{DHW}	40		45		ns
$t_h(CHrd)$ Read-command hold time after \overline{CAS} high	t_{RCH}	0		0		ns
$t_h(RHrd)$ Read-command hold time after \overline{RAS} high	t_{RRH}	5		5		ns
$t_h(CLW)$ Write-command hold time after \overline{CAS} low	t_{WCH}	40		45		ns
$t_h(RLW)$ Write-command hold time after \overline{RAS} low	t_{WCR}	85		95		ns
t_{RLCH} Delay time, \overline{RAS} low to \overline{CAS} high	t_{CSH}	120		150		ns
t_{CHRL} Delay time, \overline{CAS} high to \overline{RAS} low	t_{CRP}	0		0		ns
t_{CLRH} Delay time, \overline{CAS} low to \overline{RAS} high	t_{RSH}	70		85		ns

Continued next page.

NOTE 4: Timing measurements are made at the 10% and 90% points of input and clock transitions. In addition, V_{IL} max and V_{IH} min must be met at the 10% and 90% points.

[†] All cycle times assume $t_t = 5$ ns. The recommended rise and fall times for the \overline{CAS} and \overline{RAS} inputs are a minimum of 3 ns and a maximum of 50 ns.

[‡] Page-mode only.

[§] In a read-modify-write cycle, t_{CLWL} and $t_{su(WCH)}$ must be observed. Depending on the user's transition times, this may require additional \overline{CAS} low time ($t_{w(CL)}$). This applies to page-mode read-modify-write also.

[¶] In a read-modify-write cycle, t_{RLWL} and $t_{su(WRH)}$ must be observed. Depending on the user's transition times, this may require additional \overline{RAS} low time ($t_{w(RL)}$).

^{||} These parameters are guaranteed but not tested.

SMJ4164 65,536-BIT DYNAMIC RANDOM-ACCESS MEMORY

timing requirements over recommended supply voltage range and recommended operating temperature range (continued)

PARAMETER	ALT. SYMBOL	SMJ4164-12		SMJ4164-15		UNIT
		MIN	MAX	MIN	MAX	
t_{CLWL} Delay time, \overline{CAS} low to \overline{W} low (read-modify-write cycle only)	t_{CWD}	40		60		ns
t_{RLCL} Delay time, \overline{RAS} low to \overline{CAS} low (maximum value specified only to guarantee access time)	t_{RCD}	15	45	20	50	ns
t_{RLWL} Delay time, \overline{RAS} low to \overline{W} low (read-modify-write cycle only)	t_{RWD}	85		100		ns
t_{WLCL} Delay time, \overline{W} low to \overline{CAS} low (early write cycle)	t_{WCS}	-5		-5		ns
t_{rf} Refresh time interval	t_{REF}		4		4	ms

timing requirements over recommended supply voltage range and recommended operating temperature range (continued)

PARAMETER	ALT. SYMBOL	SMJ4164-20		UNIT
		MIN	MAX	
$t_{c(P)}$ Page-mode cycle time	t_{PC}	225		ns
$t_{c(rd)}$ Read cycle time [†]	t_{RC}	330		ns
$t_{c(W)}$ Write cycle time	t_{WC}	330		ns
$t_{c(rdW)}$ Read-write/read-modify-write cycle time	t_{RWC}	345		ns
$t_{w(CH)}$ Pulse duration, \overline{CAS} high (precharge time) [‡]	t_{CP}	80		ns
$t_{w(CL)}$ Pulse duration, \overline{CAS} low [§]	t_{CAS}	135	10,000	ns
$t_{w(RH)}$ Pulse duration, \overline{RAS} high (precharge time)	t_{RP}	120		ns
$t_{w(RL)}$ Pulse duration, \overline{RAS} low [¶]	t_{RAS}	200	10,000	ns
$t_{w(W)}$ Write pulse duration	t_{WP}	55		ns
$t_{su(CA)}$ Column-address setup time	t_{ASC}	-5		ns
$t_{su(RA)}$ Row-address setup time	t_{ASR}	0		ns
$t_{su(D)}$ Data setup time	t_{DS}	0		ns
$t_{su(rd)}$ Read-command setup time	t_{RCS}	0		ns
$t_{su(WCH)}$ Write-command setup time before \overline{CAS} high	t_{CWL}	80		ns
$t_{su(WRH)}$ Write-command setup time before \overline{RAS} high	t_{RWL}	80		ns
$t_h(CLCA)$ Column-address hold time after \overline{CAS} low	t_{CAH}	55		ns
$t_h(RA)$ Row-address hold time	t_{RAH}	25		ns
$t_h(RLCA)$ Column-address hold time after \overline{RAS} low	t_{AR}	140		ns
$t_h(CLD)$ Data hold time after \overline{CAS} low	t_{DHC}	80		ns
$t_h(RLD)$ Data hold time after \overline{RAS} low	t_{DHR}	145		ns

Continued next page.

NOTE 4: Timing measurements are made at the 10% and 90% points of input and clock transitions. In addition, V_{IL} max and V_{IH} min must be met at the 10% and 90% points.

[†]All cycle times assume $t_t = 5$ ns. The recommended rise and fall times for the \overline{CAS} and \overline{RAS} inputs are a minimum of 3 ns and a maximum of 50 ns.

[‡]Page-mode only.

[§]In a read-modify-write cycle, t_{CLWL} and $t_{su(WCH)}$ must be observed. Depending on the user's transition times, this may require additional \overline{CAS} low time ($t_{w(CL)}$). This applies to page-mode read-modify-write also.

[¶]In a read-modify-write cycle, t_{RLWL} and $t_{su(WRH)}$ must be observed. Depending on the user's transition times, this may require additional \overline{RAS} low time ($t_{w(RL)}$).

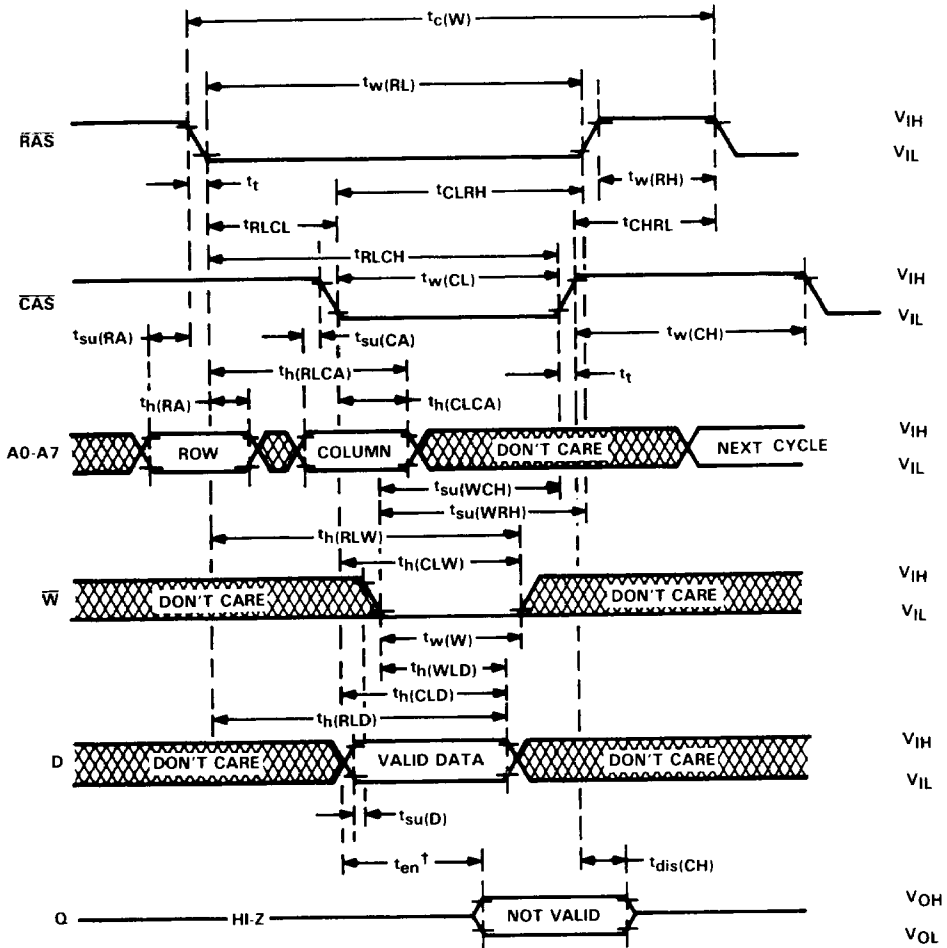
SMJ4164 65,536-BIT DYNAMIC RANDOM-ACCESS MEMORY

timing requirements over recommended supply voltage range and recommended operating temperature range (concluded)

PARAMETERS		ALT. SYMBOL	SMJ4164-20		UNIT
			MIN	MAX	
$t_{h(WLD)}$	Data hold time after \overline{W} low	t_{DHW}	55		ns
$t_{h(CHrd)}$	Read-command hold time after \overline{CAS} high	t_{RCH}	0		ns
$t_{h(RHrd)}$	Read-command hold time after \overline{RAS} high	t_{RRH}	5		ns
$t_{h(CLW)}$	Write-command hold time after \overline{CAS} low	t_{WCH}	80		ns
$t_{h(RLW)}$	Write-command hold time after \overline{RAS} low	t_{WCR}	145		ns
t_{RLCH}	Delay time, \overline{RAS} low to \overline{CAS} high	t_{CSH}	200		ns
t_{CHRL}	Delay time, \overline{CAS} high to \overline{RAS} low	t_{CRP}	0		ns
t_{CLRHL}	Delay time, \overline{CAS} low to \overline{RAS} high	t_{RSH}	135		ns
t_{CLWL}	Delay time, \overline{CAS} low to \overline{W} low (read-modify-write cycle only)	t_{CWD}	65		ns
t_{RLCL}	Delay time, \overline{RAS} low to \overline{CAS} low (maximum value specified only to guarantee access time)	t_{RCD}	25	65	ns
t_{RLWL}	Delay time, \overline{RAS} low to \overline{W} low (read-modify-write cycle only)	t_{RWD}	130		ns
t_{WLCL}	Delay time, \overline{W} low to \overline{CAS} low (early write cycle)	t_{WCS}	-5		ns
t_{rf}	Refresh time interval	t_{REF}		4	ms

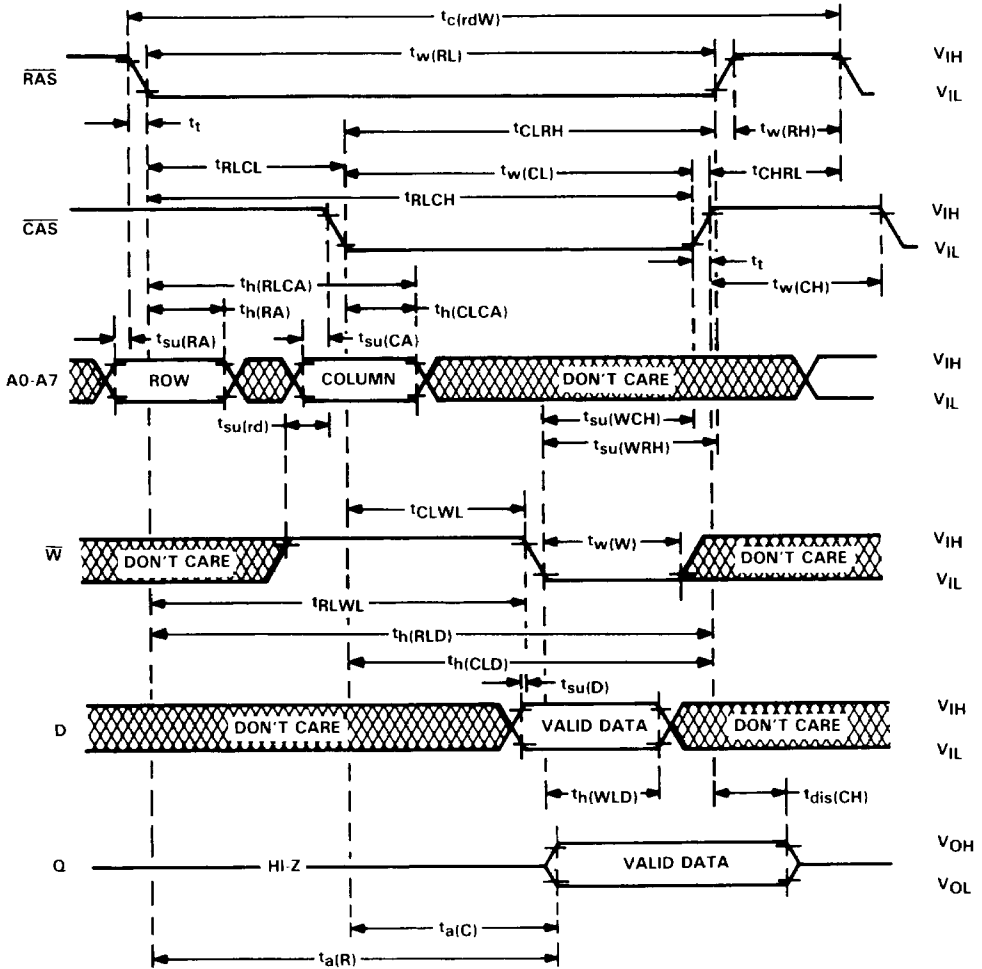
^{||}These parameters are guaranteed but not tested.

write cycle timing



SMJ4164
65,536-BIT DYNAMIC RANDOM-ACCESS MEMORY

read-write/read-modify-write cycle timing



SMJ4164 65,536-BIT DYNAMIC RANDOM-ACCESS MEMORY

RAS-only refresh timing

