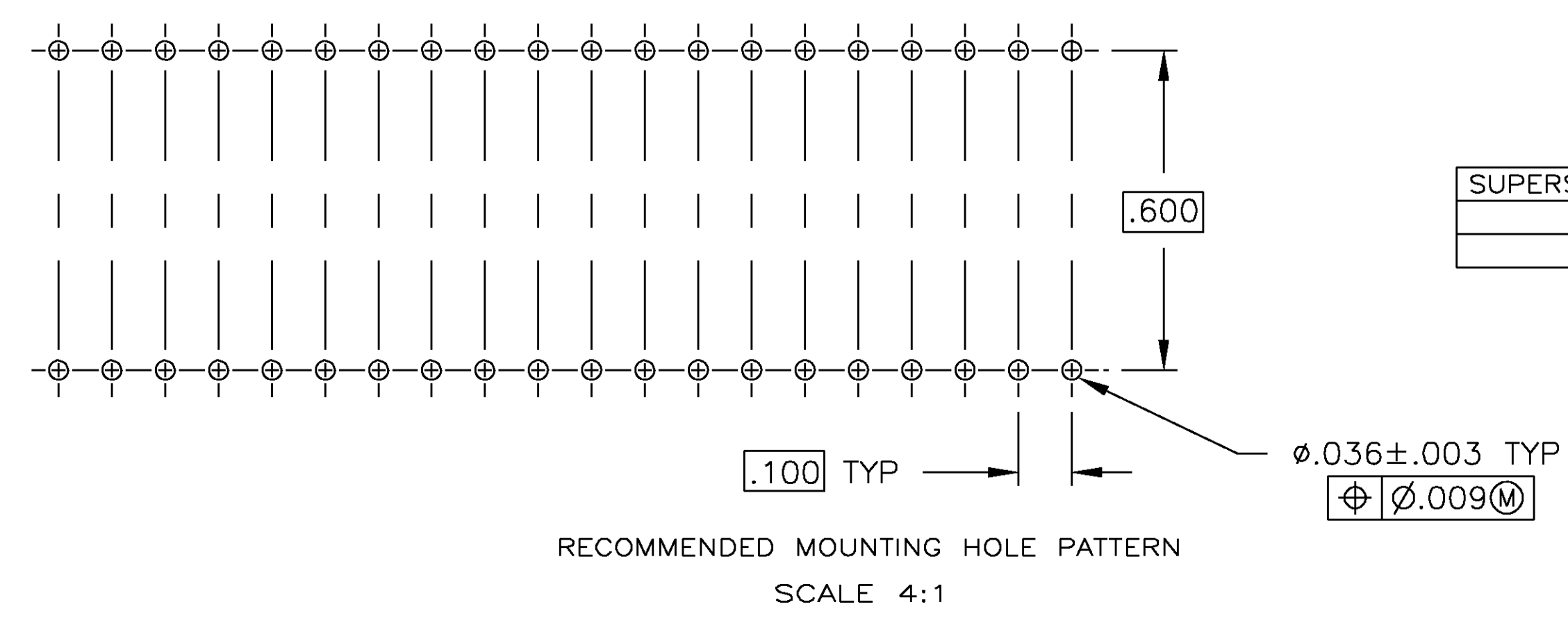
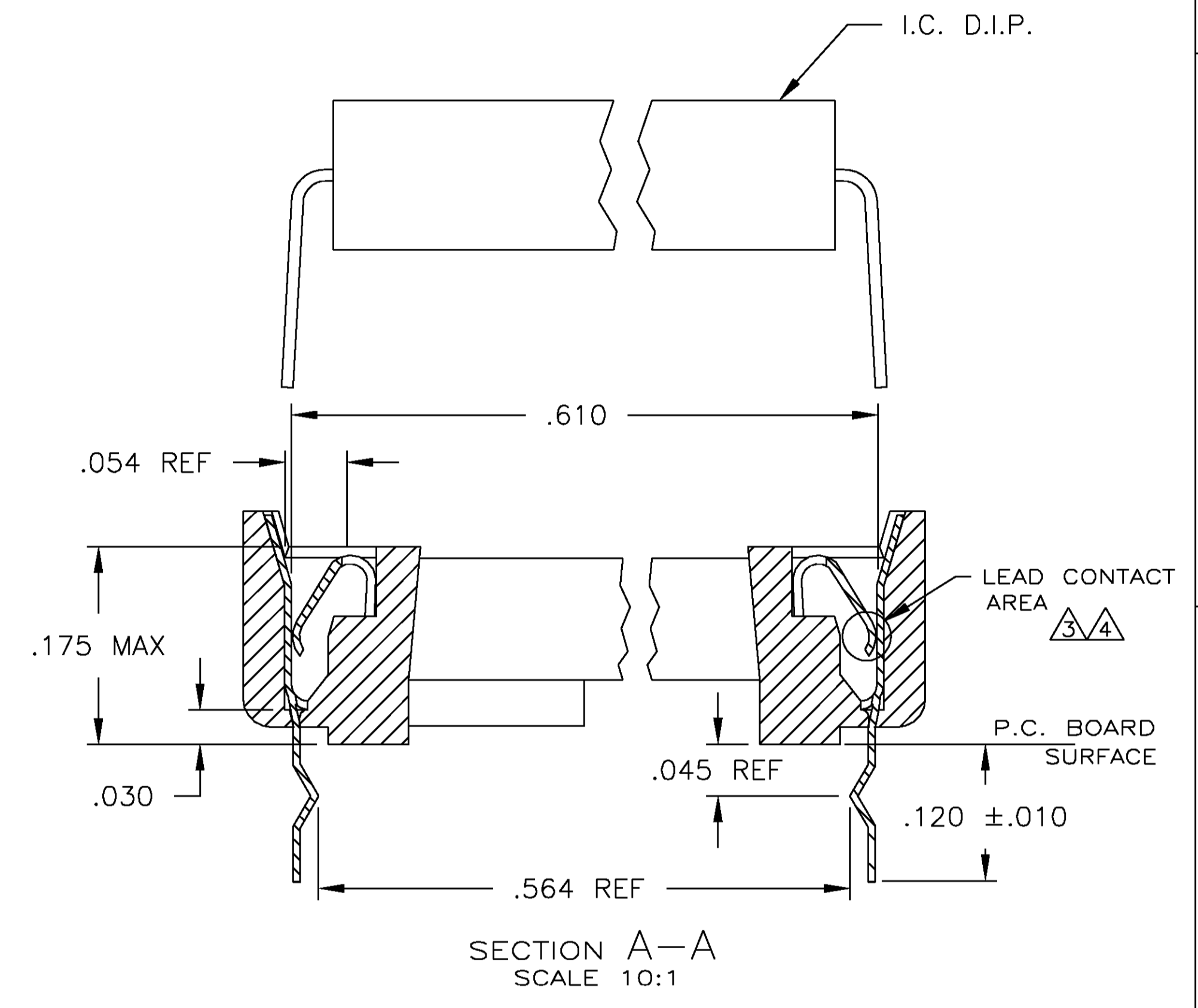
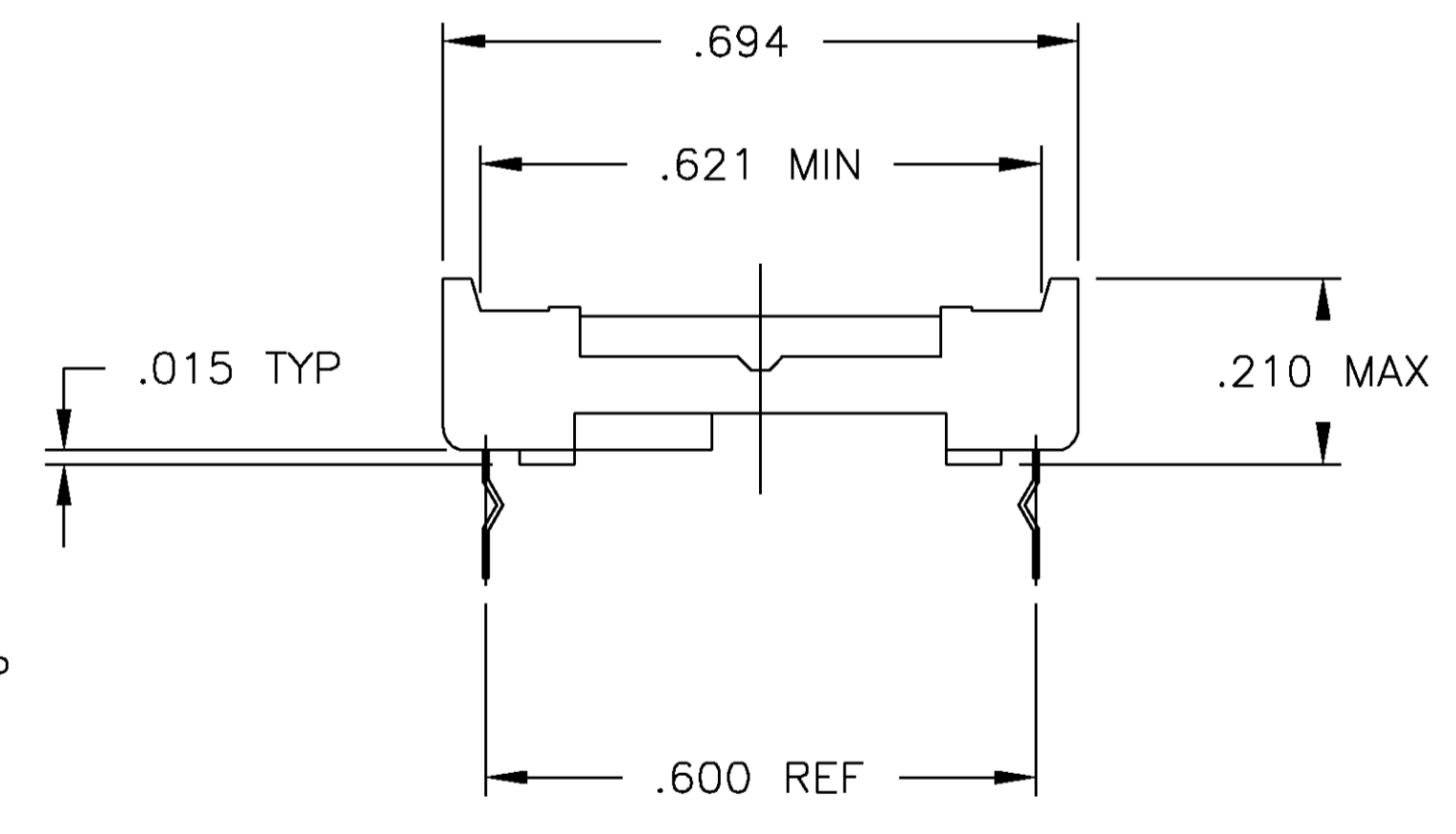
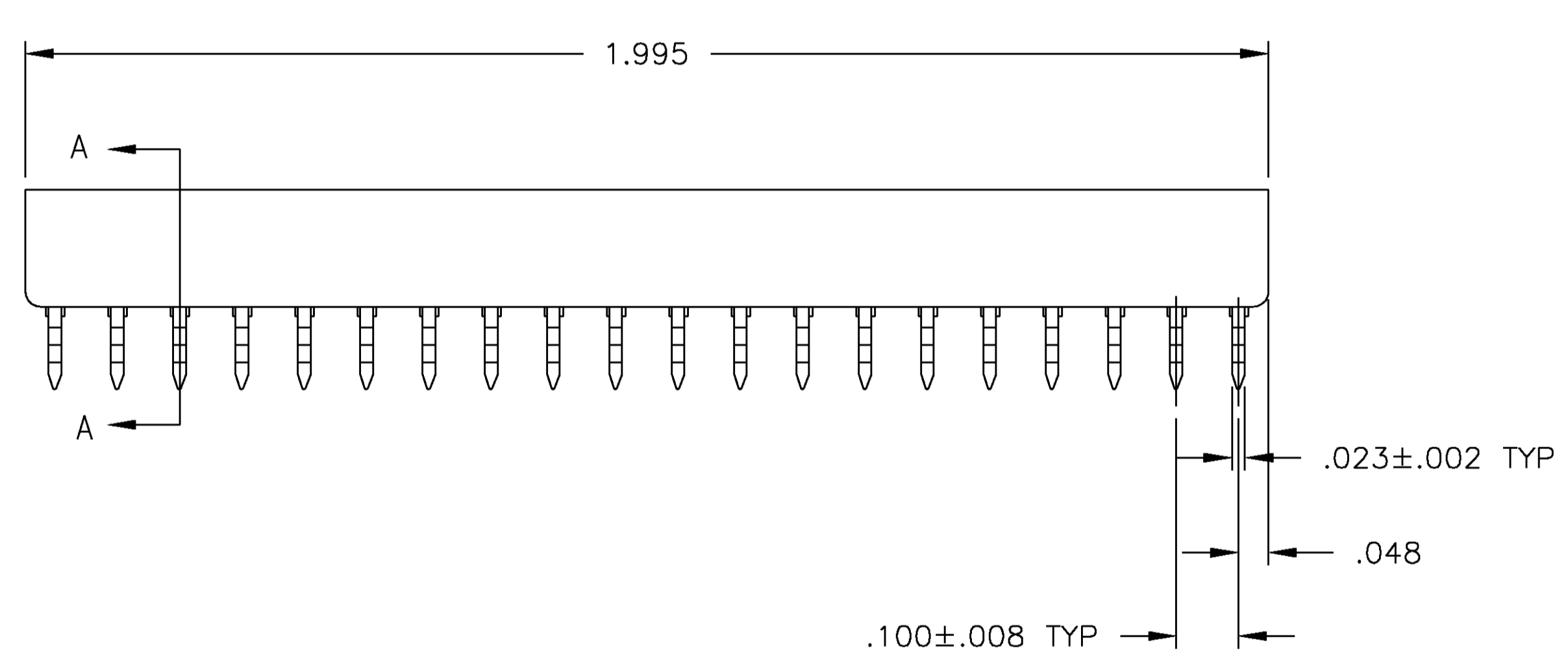
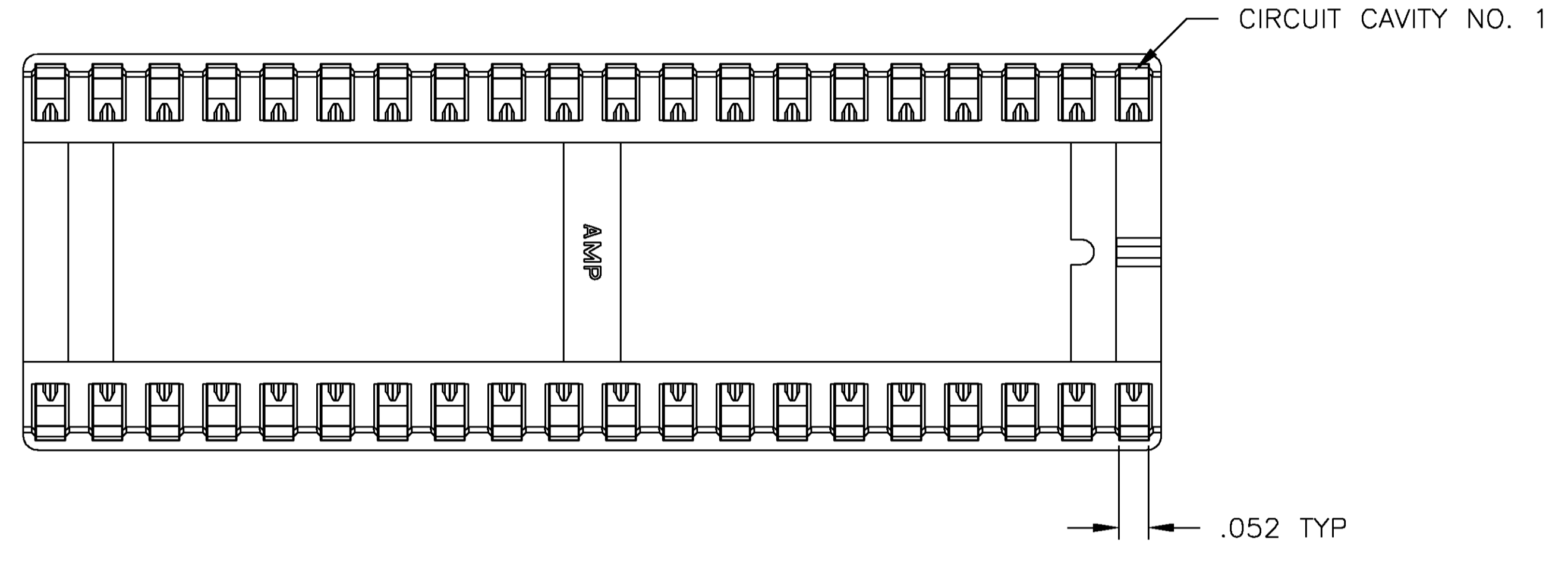


- RECEPTACLE ACCEPTS A .008-.014 THICK I.C. LEAD.
 - TUBE LOADED FOR AUTOMATIC INSERTION.
- ⚠ TWO .000030 MIN THK. GOLD STRIPES IN CONTACT AREA WITH TIN-LEAD (93/7) ON CONTACT LEGS, BALANCE OF CONTACT NICKEL PLATED.
 - ⚠ TWO .000015 MIN THK. GOLD STRIPES IN CONTACT AREA WITH TIN-LEAD (93/7) ON CONTACT LEGS, BALANCE OF CONTACT NICKEL PLATED.



SUPERSEDED BY 2-641616-3	TINNED	PHOS.BRZ. .006 THK	GLASS-FILLED THERMOPLASTIC, 94V-O, BLACK	2-641616-5
OBSOLETE	⚠	PHOS.BRZ. .006 THK	GLASS-FILLED THERMOPLASTIC, 94V-O, BLACK	2-641616-4
OBSOLETE	TINNED	PHOS.BRZ. .006 THK	GLASS-FILLED THERMOPLASTIC, 94V-O, BLACK	2-641616-3
	⚠	BE.CU. .006 THK	GLASS-FILLED THERMOPLASTIC, 94V-O, BLACK	2-641616-2
	TINNED	BE.CU. .006 THK	GLASS-FILLED THERMOPLASTIC, 94V-O, BLACK	2-641616-1
	CONTACT FINISH	CONTACT MAT'L	HOUSING MATERIAL	PART NO.
THIS DRAWING IS A CONTROLLED DOCUMENT.		DWR R BROWN 09JAN01 OK H WYNKOOP 29AUG00 APVD H WYNKOOP 29AUG00 NAME SOCKET ASSY, DIP, LADDER, RET LEG, 40 POS, DIPLOMATE™ DL PRODUCT SPEC 108-1066 APPLICATION SPEC 114-1049 SIZE A1 CAGE CODE DRAWING NO 00779 ©=641616 WEIGHT - CUSTOMER DRAWING SCALE 5:1 SHEET 1 OF 1 REV T		
DIMENSIONS: INCHES	TOLERANCES UNLESS OTHERWISE SPECIFIED:			
0 PLC ± -	1 PLC ± -			
2 PLC ± -	3 PLC ± .005			
4 PLC ± -	ANGLES ± -			
MATERIAL SEE TABLE	FINISH SEE TABLE			