

PART NAME: 5 STAR-KNOB SCALE: 1:1 DATE: 6/20/94 DR. BY HD



DESIGNERS & MANUFACTURERS OF KNOBS, HANDLES, CASES & CUSTOM PLASTIC COMPONENTS

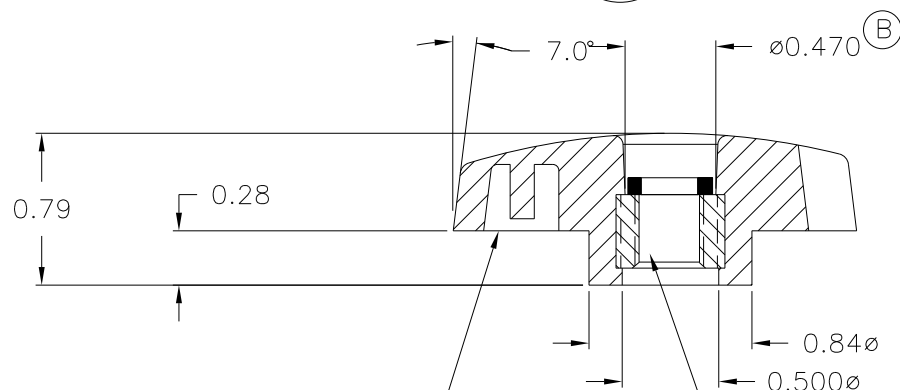
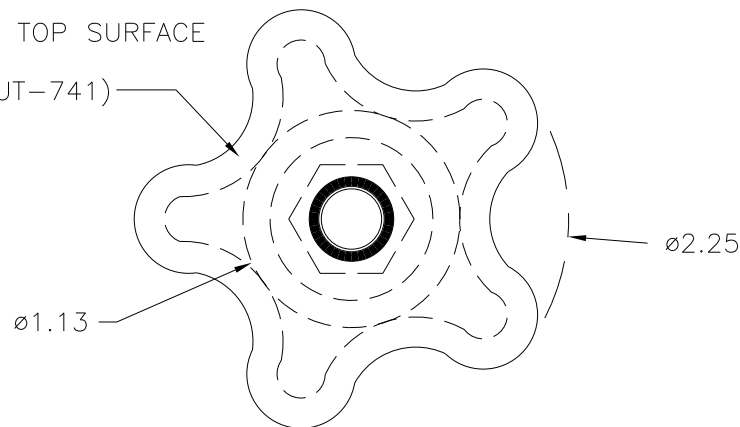
P/N 2980-S

THIS DRAWING IS THE PROPERTY OF DAVIES MOLDING COMPANY, IS SUBMITTED SOLELY AS A DESIGN OR ENGINEERING PROJECT. WE ACCEPT NO RESPONSIBILITY WHATSOEVER FOR THE PRACTICAL APPLICATION OF THE PIECES MADE TO THIS DESIGN.

M<sup>NO.</sup> #0009

CAV.	2980
CORE	2980
TOP PIN	2980-S
SLEEVE	2980
PIN	2980-B
INSERT	11879

TEXTURED TOP SURFACE ONLY (UNITEX-UT-741)



NOTE : GATE TO BE TRIMMED FLUSH OR BELOW THIS SURFACE

3/8-16 UNC THREAD. LOCKNUT W/NYLON INSERT 11879, STEEL, ZINC PLTD.

MATERIAL: POLYPROPYLENE (CLD)  
COLOR: BLACK

TOLERANCES: UNLESS OTHERWISE SPECIFIED	DO NOT SCALE DRAWING	C	ADDED MAT. CODE	DS	1/4/07
DECIMALS: X.XXX ± .005 X.XX ± .015	MM: X.XX ± 0.15MM X.X ± 0.4MM	B	0.470 WAS .406 (A)	TL	8/26/99
FRACTIONS ± 1/64	ANG. ± 1°	A	0.406 WAS .375	HD	3/10/97
CHANGES					