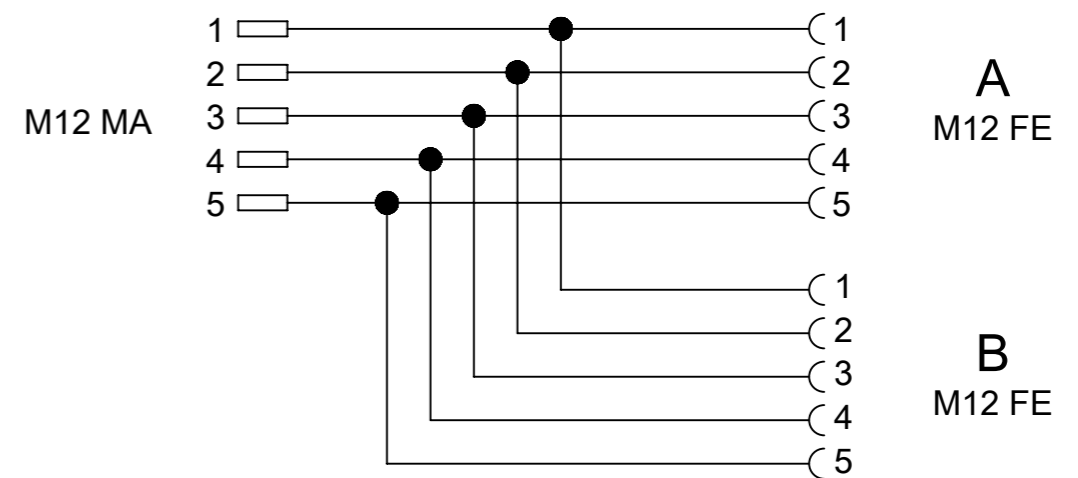


WIRING DIAGRAM



BILL OF MATERIAL

ITEM	QTY.	DESCRIPTION	MATERIAL	FINISH/COLOR
9	1	PCB	---	---
8	2	INSERT M12 4P FEMALE	PUR	BLACK
7	1	INSERT M12 5P MALE	PUR	BLACK
6	2	ORING	FPM	RED
5	1	COUPLING NUT M12 MALE	BRASS	NICKEL
4	2	COUPLING NUT M12 FEMALE	BRASS	NICKEL
3	-	OVERMOULDING	PUR	BLACK
2	10	CONTACTS M12 FEMALE	BRASS	SELECTIVE GOLD
1	5	CONTACTS M12 MALE	COPPER	SELECTIVE GOLD

SYMBOLS DIMENSION UNITS: mm SCALE: 2:1 GENERAL TOLERANCES (UNLESS SPECIFIED): ANGULAR TOL: ± 1.0° 4 PLACES: ± 3 PLACES: ± 2 PLACES: ± 0.05 1 PLACE: ± 0.3 0 PLACES: ± 0.5 DRAFT WHERE APPLICABLE MUST REMAIN WITHIN DIMENSIONS THIRD ANGLE PROJECTION	THIS DRAWING CONTAINS INFORMATION THAT IS PROPRIETARY TO MOLEX ELECTRONIC TECHNOLOGIES, LLC AND SHOULD NOT BE USED WITHOUT WRITTEN PERMISSION CURRENT REV DESC: EC NO: 605953 DRWN: MKOWALCZYK01 2018/10/15 CHK'D: MIWASIECZKO 2018/10/16 APPR: MIWASIECZKO 2018/10/16 INITIAL REVISION: DRWN: MKOWALCZYK01 2018/10/15 APPR: MIWASIECZKO 2018/10/16		 SPL YS M12 5P AC MA PRODUCT CUSTOMER DRAWING		
	DOCUMENT NUMBER: 1200680137 DOC TYPE: PSD DOC PART: 000 REVISION: A	MATERIAL NUMBER: 120068 CUSTOMER: GENERAL MARKET			

10 9 8 7 6 5 4 3 2 1

F

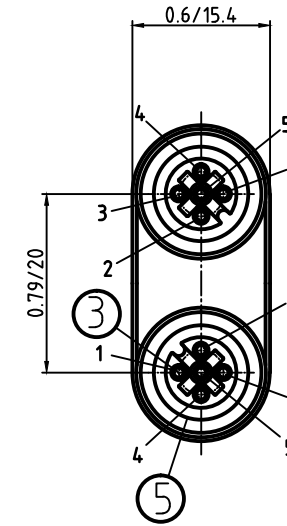
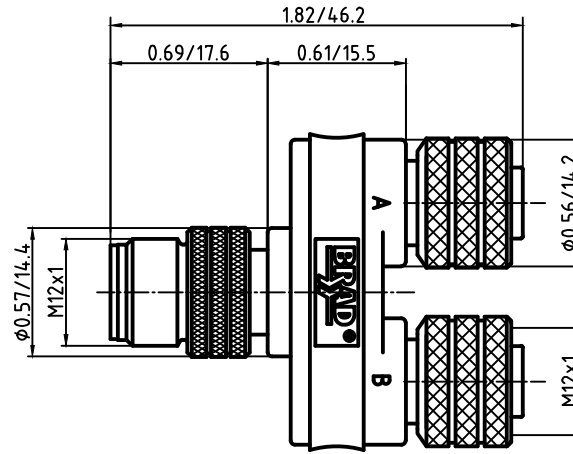
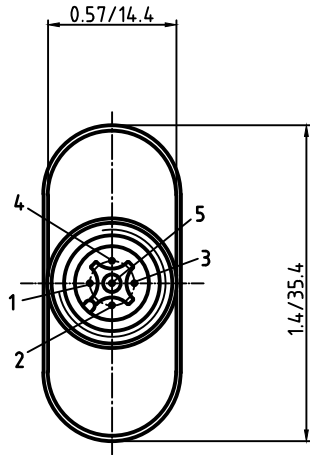
E

D

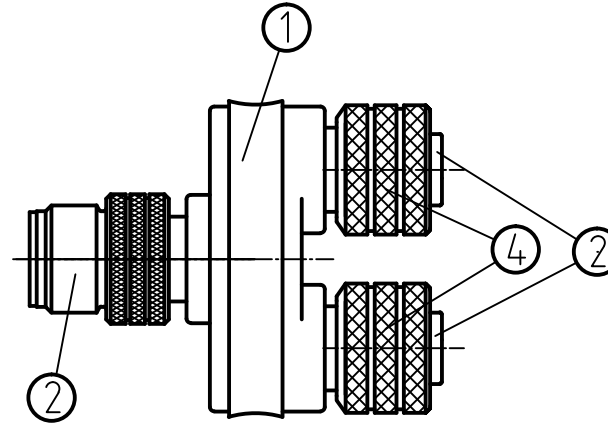
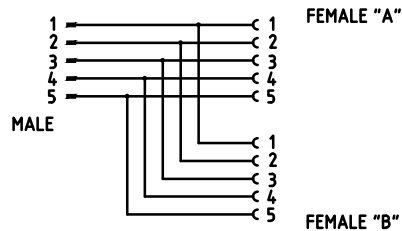
C

B

A



WIRING SCHEMATIC



MATERIAL NUMBER	ENGINEERING NUMBER
1200680137	0812-05EMF-00001

ITEM	COMPONENT	MATERIAL	FINISH
5	O-RING	VITON	RED
4	COUPLER	BRASS	NICKEL PLATED
3	PIN CONTACT	COPPER ALLOY	GOLD OVER NICKEL
2	INSERT	PUR	BLACK
1	OVERMOLD	PUR	BLACK

DESCRIPTION EC NO.: WEU2010-0371 DRWN: BBRAUCH 2010/02/16 CHKD: NS 2010/02/17 APPR: NSTAUDIG 2010/02/18	QUALITY SYMBOLS ▽ = 0 ▽C = 0	GENERAL TOLERANCES (UNLESS SPECIFIED)		DIMENSION STYLE IN/MM	SCALE 2:1	DESIGN UNITS METRIC	THIRD ANGLE PROJECTION	
		4 PLACES ±--- ±--- 3 PLACES ±--- ±--- 2 PLACES ±--- ±0.01 1 PLACE ±0.3 ±--- ANGULAR ± --- °	DRAWN BY BBRAUCH	DATE 2010/02/16	M12-TEE-5P-M/FE-FE V2			
		DRAFT WHERE APPLICABLE MUST REMAIN WITHIN DIMENSIONS	CHECKED BY NS	DATE 2010/02/17				
		1 REV	SEE TABLE	APPROVED BY NSTAUDIG	DATE 2010/02/18	MOLEX INCORPORATED		SHEET NO. 1 OF 1

10 9 8 7 6 5 4 3 2 1

F

E

D

C

B

A