



### Electrical Specifications

**Frequency Range:** 3400 ~ 10000 MHz  
**Insertion Loss:** 1.5 dB Max  
**VSWR:** 1.8:1 Max  
**Return Loss:** 10 dB Min  
**Rejection:** >40 dB @ DC ~ 2700 MHz  
**Power Handling:** 20 Watts

### Mechanical

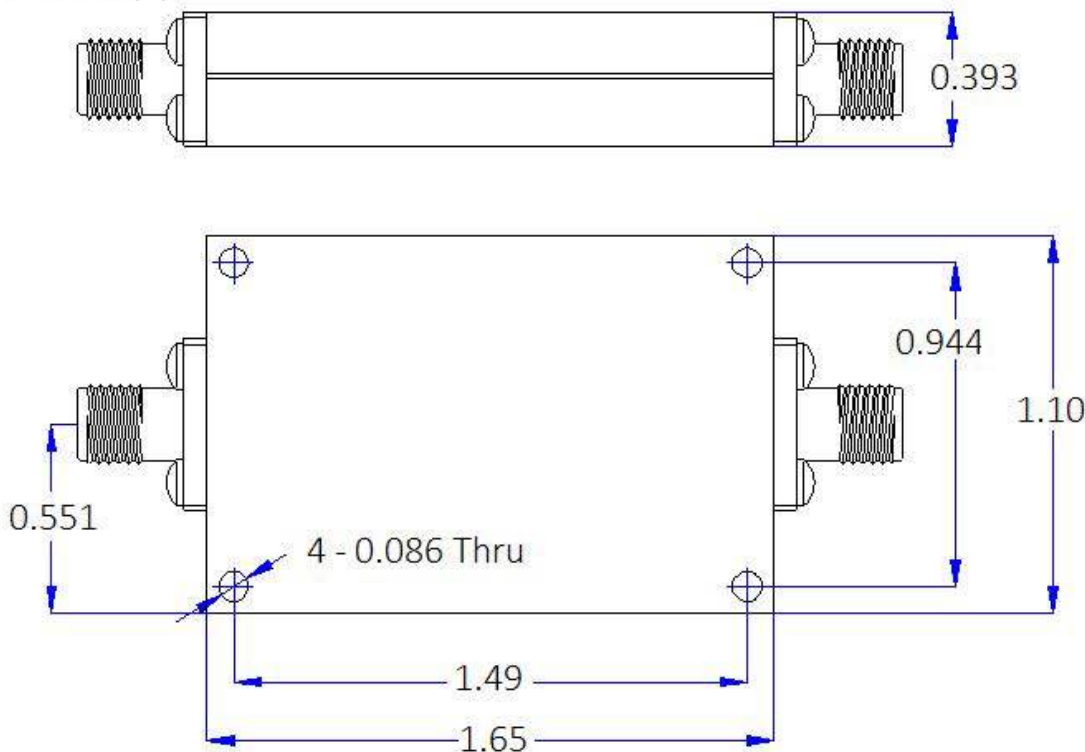
**Connector Type:** SMA (F)  
**Dimensions:** 1.65 x 1.10 x 0.393 Inches

### Environmental

**Operating Temperature:** -30 to +70° C

### Outline Drawing:

2 - SMA (F)





### Response Plot:

