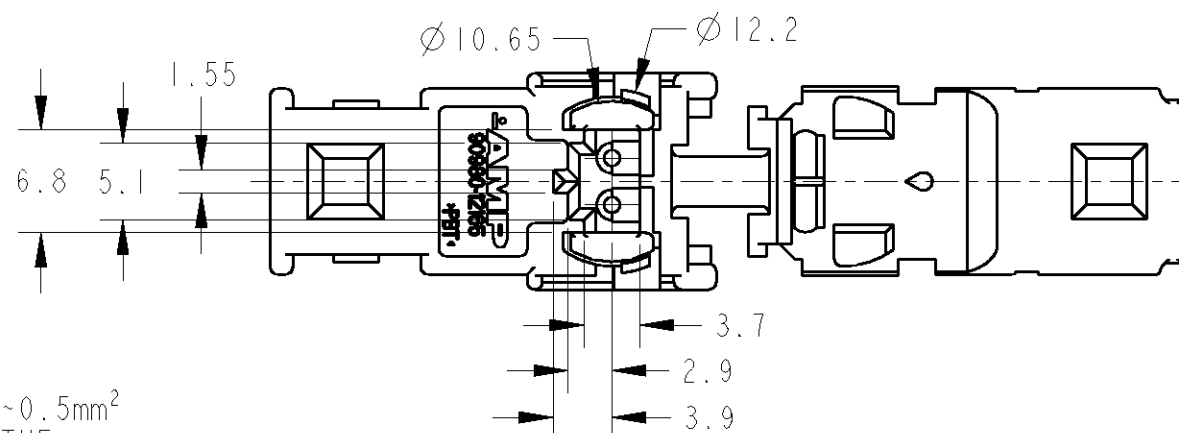
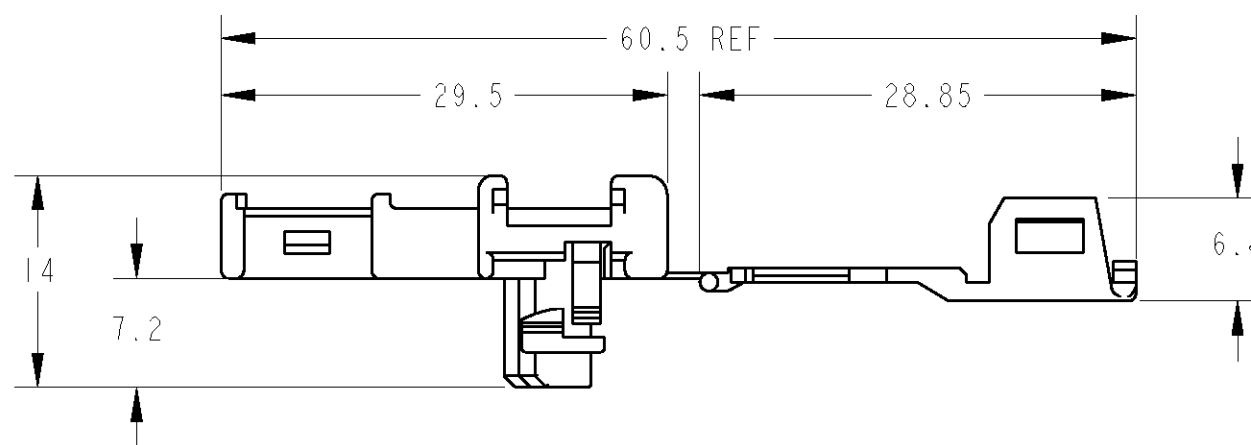
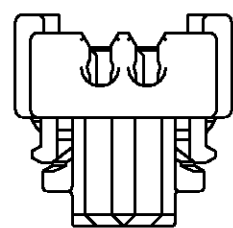
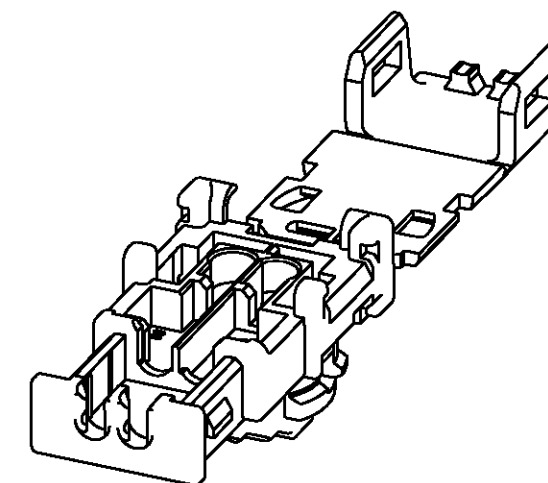
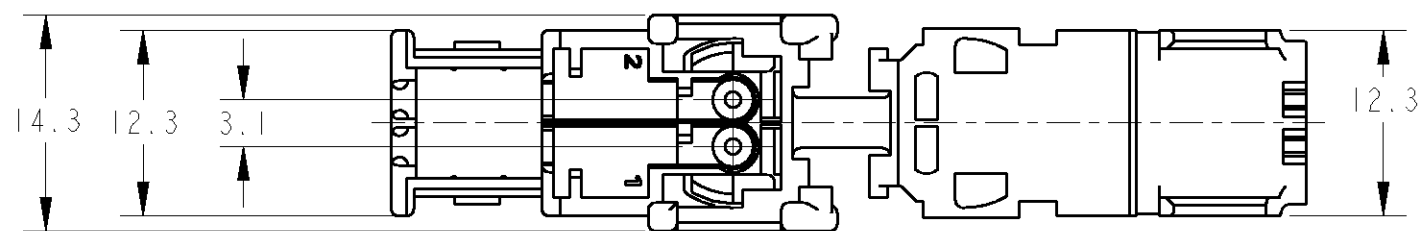


THIS DRAWING IS UNPUBLISHED. RELEASED FOR PUBLICATION 20
 © COPYRIGHT 20 BY TYCO ELECTRONICS CORPORATION. ALL RIGHTS RESERVED.

LOC	DIST	REVISIONS					
J	-	P	LTR	DESCRIPTION	DATE	DWN	APVD
			CI	REVISED ECR-08-009099	10APR2008	T.Y	Y.F



1. APPLICABLE WIRE RANGE; AVSS, CAVS 0.3~0.5mm²
2. THIS PRODUCT MUST BE SUPPLIED WITH THE SQUIB CONN. IIDIA LOCKING BUTTON (P/N 1376031)
3. INSTRUCTION SHEET; 411-5945

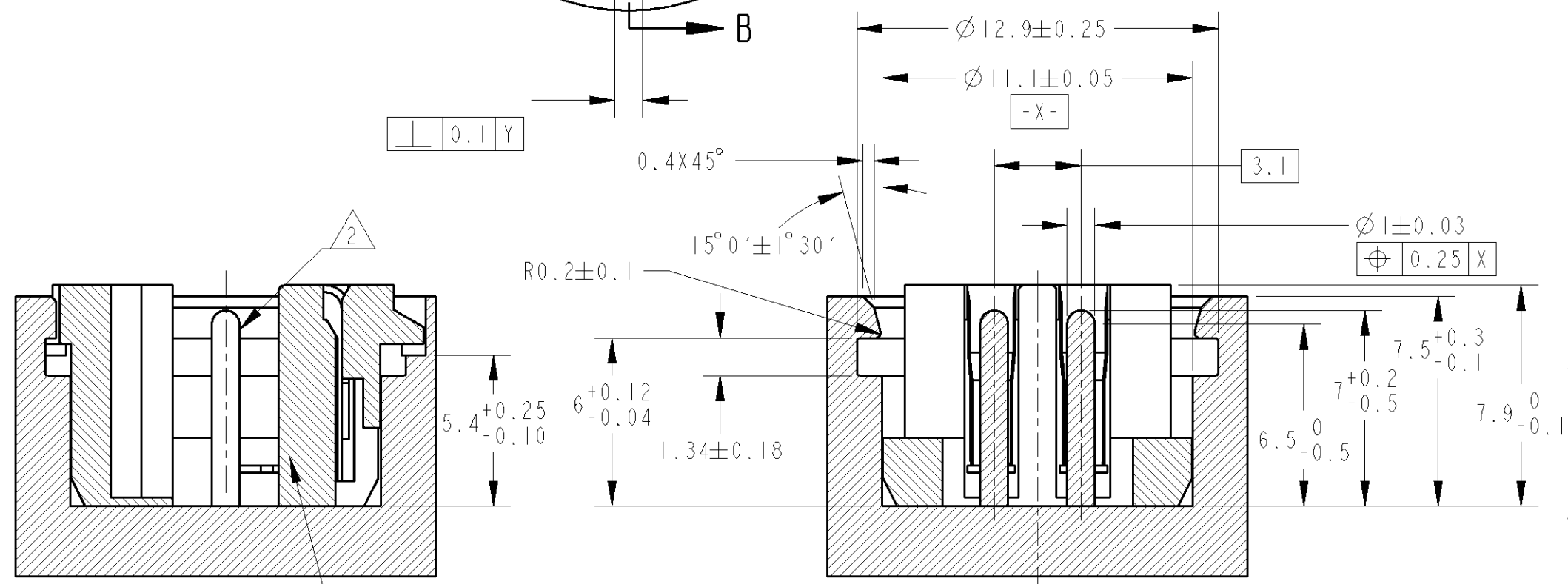
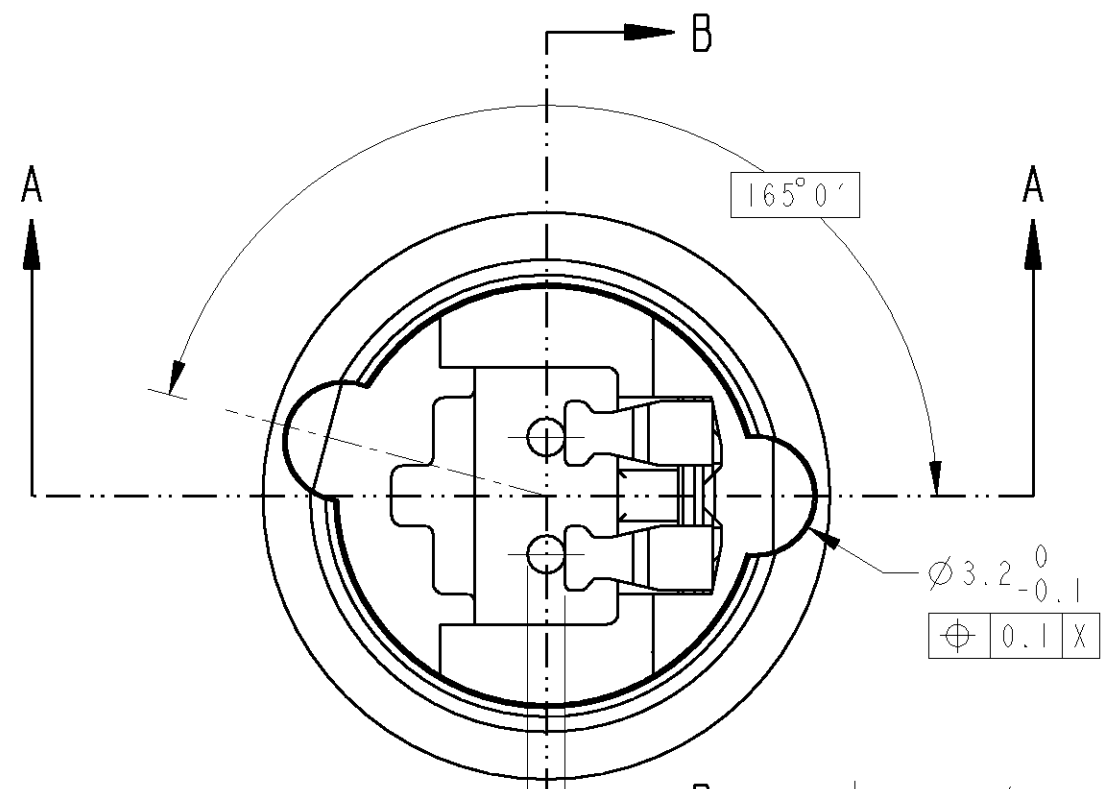
1. 適用電線; AVSS, CAVS 0.3~0.5mm²
2. 本品はSQUIB CONN. IIDIA LOCKING BUTTON (P/N 1376031)を装着して使用する。
3. 取扱説明書; 411-5945

YELLOW	1376030-1
COLOR	PART NUMBER

THIS DRAWING IS A CONTROLLED DOCUMENT FOR TYCO ELECTRONICS CORPORATION. IT IS SUBJECT TO CHANGE AND THE CONTROLLING ENGINEERING ORGANIZATION SHOULD BE CONTACTED FOR THE LATEST REVISION.		DWN T. KOHNO 30-Nov-99	Tyco Electronics Tyco Electronics AMP K.K. Kawasaki, Japan	
DIMENSIONS: 単位: 概 mm		CHK N. SAI 30-Nov-99	NAME 名称 SQUIB CONN. IIDIA PLUG HOUSING	
TOLERANCES UNLESS OTHERWISE SPECIFIED: 一般公差 ±0.3		APVD K. SHIMIZU 30-Nov-99	SIZE A3	
0-PLC ±0.2		PRODUCT SPEC 108-5679	CAGE CODE 00779	DRAWING NO 1376030
1-PLC ±0.1		APPLICATION SPEC 114-5234	RESTRICTED TO -	
2-PLC ±0.01		WEIGHT 2.1g	SCALE 2:1	SHEET 1 OF 2
3-PLC ±0.001		CUSTOMER DRAWING	REV CI	
4-PLC ±0.0001				
ANGLES ±3°				
MATERIAL 材料 PBT	FINISH 仕上 YELLOW			

THIS DRAWING IS UNPUBLISHED. RELEASED FOR PUBLICATION 20
 © COPYRIGHT 20 BY TYCO ELECTRONICS CORPORATION. ALL RIGHTS RESERVED.

LOC	DIST	REVISIONS					
		P	LTR	DESCRIPTION	DATE	DWN	APVD
J	-	-	-	SEE SHEET 1	-	-	-



- 1. 本形状は装着相手側寸法を示す
 - 2. めっき仕様; Ni下地2μm以上, Au0.5μm以上
 - 3. 本形状はVDA規格REV.C('98 12/1)に準じている
 - 4. 使用されるショートサーキットリングはVDA規格で推奨されたAMP製 P/N699638とする
- 1. THIS DRAWING IS MATING HOLDER DIMENSION
 - 2. MIN 0.5μm Au UNDER MIN 2 μm Ni
 - 3. THIS DRAWING IS BASED ON VDA SPECIFICATION REV.C (IDEC98)
 - 4. SHORT-CIRCUIT RING MUST BE USED BY AMP PRODUCT (P/N 699638)

THIS DRAWING IS A CONTROLLED DOCUMENT FOR TYCO ELECTRONICS CORPORATION. IT IS SUBJECT TO CHANGE AND THE CONTROLLING ENGINEERING ORGANIZATION SHOULD BE CONTACTED FOR THE LATEST REVISION.		DWN T. KOHNO 30-Nov-99	Tyco Electronics Tyco Electronics AMP K.K. Kawasaki, Japan	
DIMENSIONS: 単位: 概 mm		CHK N. SAI 30-Nov-99	NAME 名称 SQUIB CONN. IIDIA HOLDER DIMENSION	
TOLERANCES UNLESS OTHERWISE SPECIFIED: 一般公差 0 PLC ±- 1 PLC ±0.1 2 PLC ±0.01 3 PLC ±0.001 4 PLC ±0.0001 ANGLES ±-		APVD K. SHIMIZU 30-Nov-99	PRODUCT SPEC 製品規格	
MATERIAL 材料		APPLICATION SPEC 取付適用規格		RESTRICTED TO -
FINISH 仕上		WEIGHT		SCALE 尺度 1:1
2		CUSTOMER DRAWING		SHEET 2 OF 2
		SIZE A3 CAGE CODE 00779 DRAWING NO 1376030		REV C1