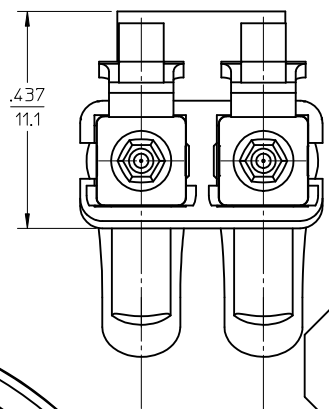
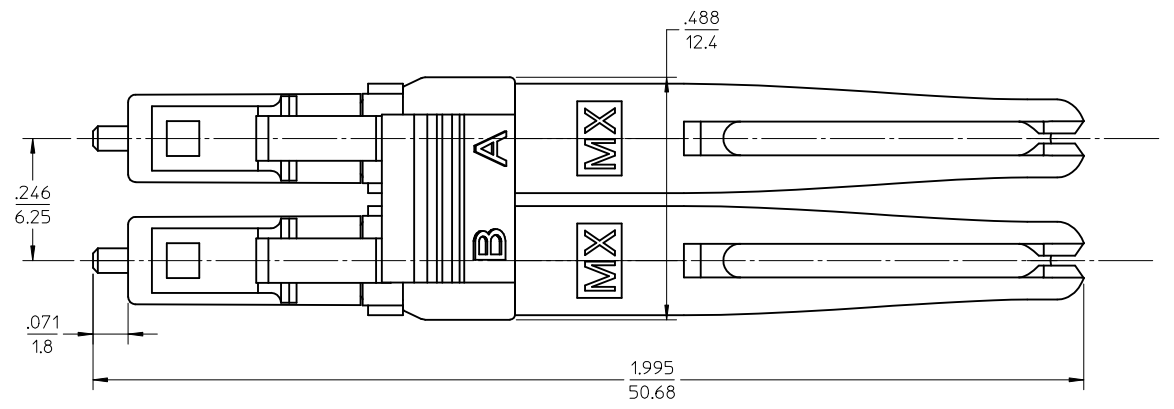
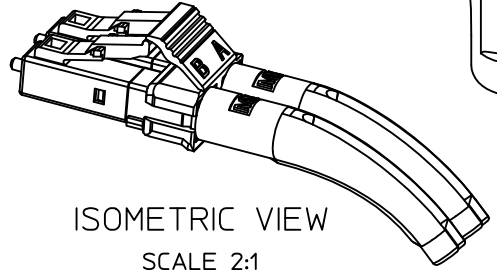


10	9	8	7	6	5	4	3	2	1
CONNECTOR P/N	∅D (µm)	∅d (µm)	CONN. BODY COLOR	BOOT COLOR	CABLE ∅ (mm)	CABLE TYPE			
106025-7110	125 ^{+0.5} ₀	0.5	BLUE	WHITE	1.6	SINGLE MODE			
106025-7115	125.25 ^{+0.5} ₀				1.6 ZIPCORD & 2				
106025-7120					1.6				
106025-7125					1.6 ZIPCORD & 2				
106025-7130					1.6				
106025-7135					1.6 ZIPCORD & 2				
106025-7140		126 ⁺¹ ₀	1		WHITE	1.6	SINGLE MODE		
106025-7145	125 ^{+0.5} ₀	1.6 ZIPCORD & 2							
106025-7150		1.6							
106025-7155		1.6 ZIPCORD & 2							
106025-7160		125.25 ^{+0.5} ₀				1.6			
106025-7165		1.6 ZIPCORD & 2							
106025-7170		125.5 ^{+0.5} ₀	1.6						
106025-7175	1.6 ZIPCORD & 2								
106025-7180	1.6								
106025-7185	127 ⁺³ ₀	3	BEIGE		1.6 ZIPCORD & 2	MULTIMODE			



WORK-AREA PLOT



ISOMETRIC VIEW
SCALE 2:1

- NOTES:
1. ALL DIMENSIONS ARE FOR REFERENCE ONLY.
 2. DUST CAPS ARE NOT SHOWN.

ENTER DESCRIPTION EC NO: MF2012-0400 DRWN: YBELENKIY 2012/02/20 CHKD: APPR: IGUMIN 2012/02/20 REV DESCRIPTION	QUALITY SYMBOLS	GENERAL TOLERANCES (UNLESS SPECIFIED)	DIMENSION STYLE	SCALE	DESIGN UNITS	THIRD ANGLE PROJECTION
	▼=0 ▽=0	mm INCH 4 PLACES ± --- ± --- 3 PLACES ± --- ± --- 2 PLACES ± --- ± --- 1 PLACE ± --- ± --- ANGULAR ±1/2°	IN/MM	4:1	INCH	
		DRAFT WHERE APPLICABLE MUST REMAIN WITHIN DIMENSIONS	DRAWN BY DATE PGIBLIN 2005/11/14 CHECKED BY DATE APPROVED BY DATE	TITLE		LC DUPLEX CONNECTOR 45 DEGREE BOOT
			SEE TABLE	MOLEX INCORPORATED DOCUMENT NO. SD-106025-71XX SHEET NO. 1 OF 1		