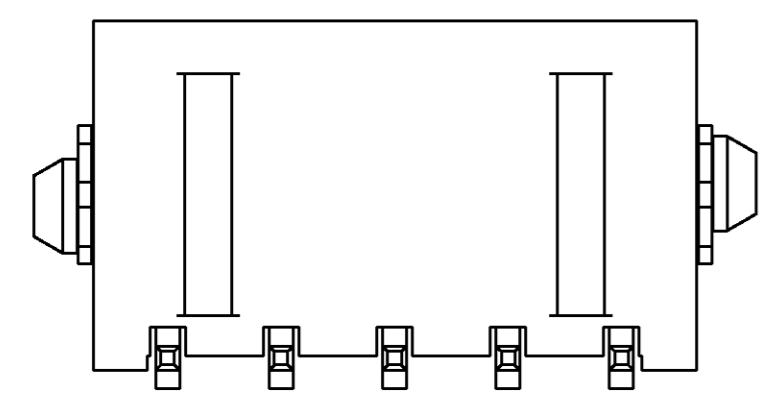
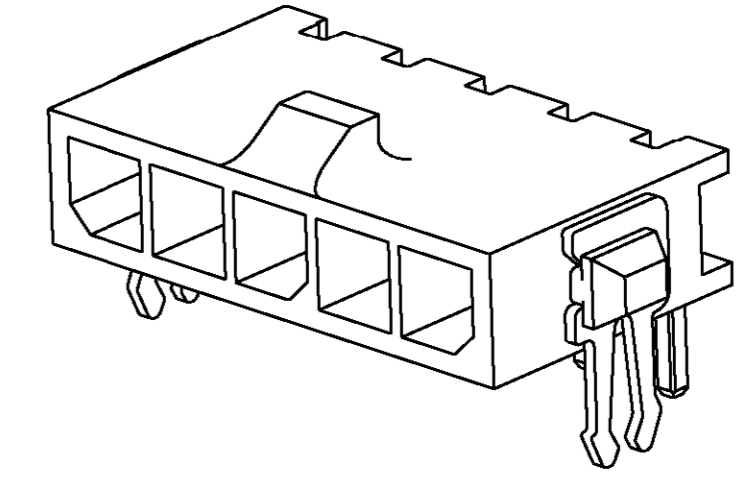
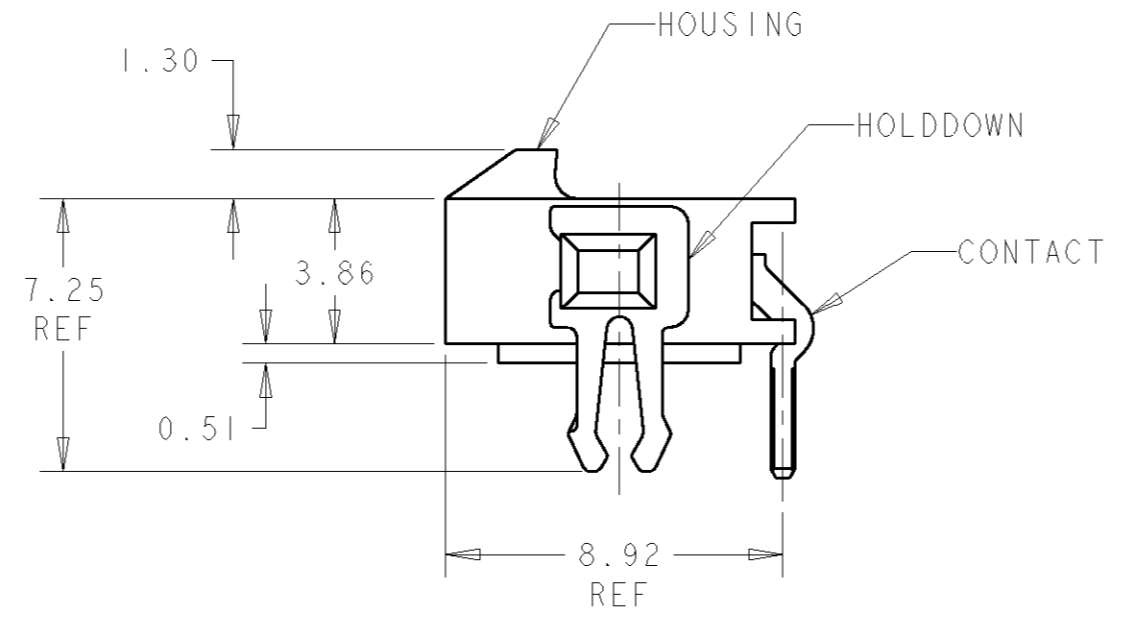
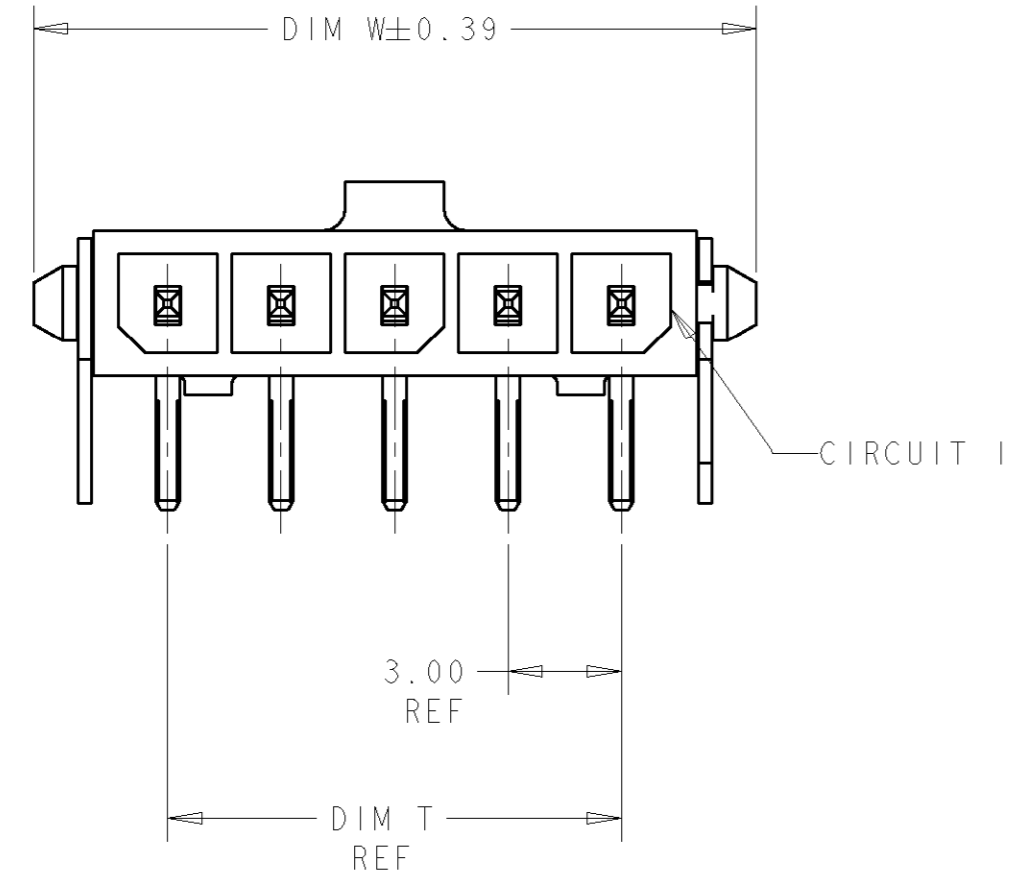
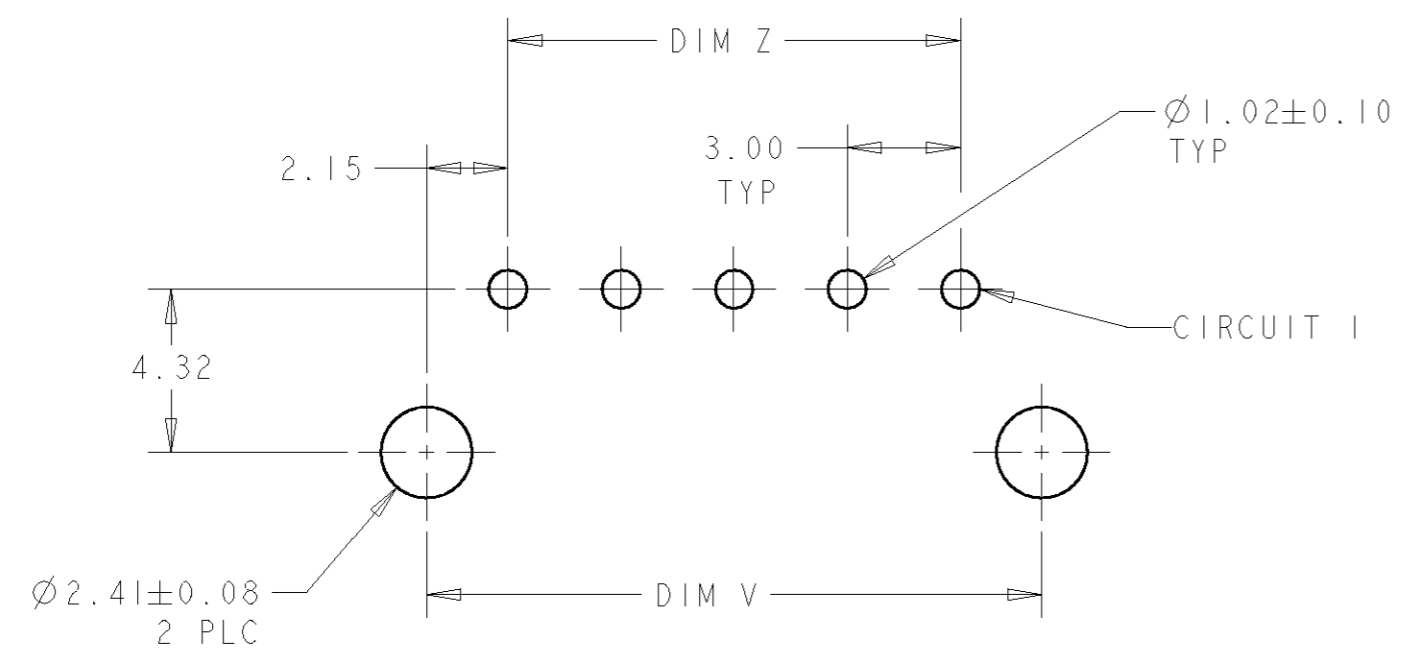


THIS DRAWING IS UNPUBLISHED. RELEASED FOR PUBLICATION .19
 © COPYRIGHT 19 BY AMP INCORPORATED. ALL RIGHTS RESERVED.

LOC	DIST	REVISIONS					
CM	00	P	LTR	DESCRIPTION	DATE	DWN	APVD
		0		RELEASED PER 0G3B-0330-01	15-AUG-01	KW	CJ



- 1 MATERIAL: CONTACTS - BRASS
HOUSING - UL 94V-0 RATED HIGH TEMP NYLON, COLOR BLACK.
HOLDDOWNS: - PHOSPHOR BRONZE.
- 2 PLATING: CONTACTS - 2.54µm MINIMUM TIN-LEAD OVER 1.27µm MINIMUM NICKEL.
HOLDDOWNS: 2.54µm MINIMUM TIN-LEAD OVER 1.27µm MINIMUM NICKEL.
- 4 RECOMMENDED PC BOARD THICKNESS OF 1.57.



PCB LAYOUT COMPONENT SIDE 4

33.00	37.43	33.00	40.14	12	1-1445054-2
30.00	34.43	30.00	37.14	11	1-1445054-1
27.00	31.43	27.00	34.14	10	1-1445054-0
24.00	28.43	24.00	31.14	9	1445054-9
21.00	25.43	21.00	28.14	8	1445054-8
18.00	22.43	18.00	25.14	7	1445054-7
15.00	19.43	15.00	22.14	6	1445054-6
12.00	16.43	12.00	19.14	5	1445054-5
9.00	13.43	9.00	16.14	4	1445054-4
6.00	10.43	6.00	13.14	3	1445054-3
3.00	7.43	3.00	10.14	2	1445054-2
DIM Z	DIM V	DIM T	DIM W	NO. OF POSN	PART NUMBER

THIS DRAWING IS A CONTROLLED DOCUMENT FOR AMP INCORPORATED. IT IS SUBJECT TO CHANGE AND THE CONTROLLING ENGINEERING ORGANIZATION SHOULD BE CONTACTED FOR THE LATEST REVISION.		DWN J.ROOT 06OCT2000	AMP Tyco Electronics Harrisburg, PA 17105-3608
DIMENSIONS: mm		CHK K. WHITAKER 13-MAR-2001	
TOLERANCES UNLESS OTHERWISE SPECIFIED: 0 PLC ± 1 PLC ± 2 PLC ±0.13 3 PLC ± 4 PLC ±		APVD K. WHITAKER 13-MAR-2001	NAME RIGHT ANGLE THRU HOLE HEADER ASSY, TIN CONTACTS W/THRU HOLE HOLDDOWNS, SINGLE ROW, MICRO MATE-N-LOK™
MATERIAL - 1		FINISH - 2	SIZE A2
		PRODUCT SPEC -	CAGE CODE 00779
		APPLICATION SPEC -	DRAWING NO 1445054
		WEIGHT -	SCALE 5:1
		CUSTOMER DRAWING	SHEET 1 OF 1
			REV 0

