

Panel mounting base - RC-0000000AD00 - 1592777

Please be informed that the data shown in this PDF Document is generated from our Online Catalog. Please find the complete data in the user's documentation. Our General Terms of Use for Downloads are valid (<http://download.phoenixcontact.com>)



Panel mounting base, angled rotatable, Screw locking, M23, Axial O-ring, 4xØ3,2, Shielded: Yes



Key commercial data

Packing unit	1 1
Weight per Piece (excluding packing)	107.7 GRM
Custom tariff number	85366990
Country of origin	Germany

Technical data

General

Note	Order information Order contact inserts separately
Type of locking	Screw locking
Contact connection method	Crimp connection
Type of contacts	Socket
Mounting type	4xØ3,2

Ambient conditions

Ambient temperature	-20 °C ... 125 °C
Degree of protection	IP67

Material

Housing material	Turned parts: copper zinc alloy (CuZn), die-cast parts: zinc (GD-Zn)
Gasket and O-ring material	FPM

Specifications according to DIN EN 61984:2001

Installation height max.	2000 m
--------------------------	--------

Panel mounting base - RC-0000000AD00 - 1592777

Classifications

eCl@ss

eCl@ss 4.0	272607xx
eCl@ss 4.1	27260701
eCl@ss 5.0	27260701
eCl@ss 5.1	27260701
eCl@ss 6.0	27260708
eCl@ss 7.0	27440312
eCl@ss 8.0	27440312

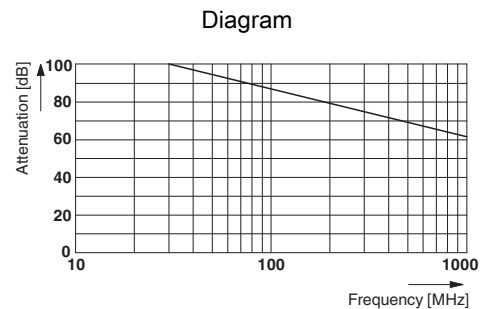
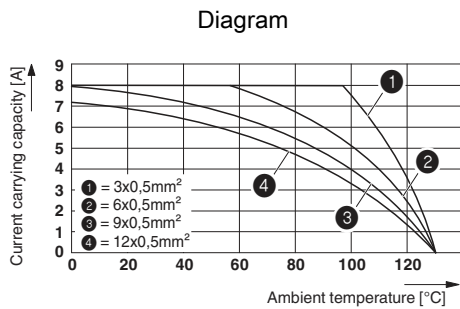
ETIM

ETIM 3.0	EC001121
ETIM 4.0	EC001121
ETIM 5.0	EC000437

UNSPSC

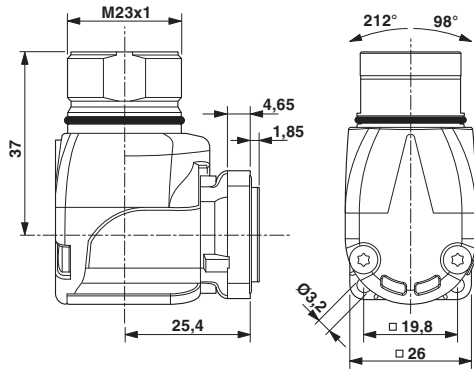
UNSPSC 6.01	43172015
UNSPSC 7.0901	43201404
UNSPSC 11	43172015
UNSPSC 12.01	43201404
UNSPSC 13.2	43201404

Drawings



Panel mounting base - RC-0000000AD00 - 1592777

Dimensioned drawing



Dimensioned drawing

