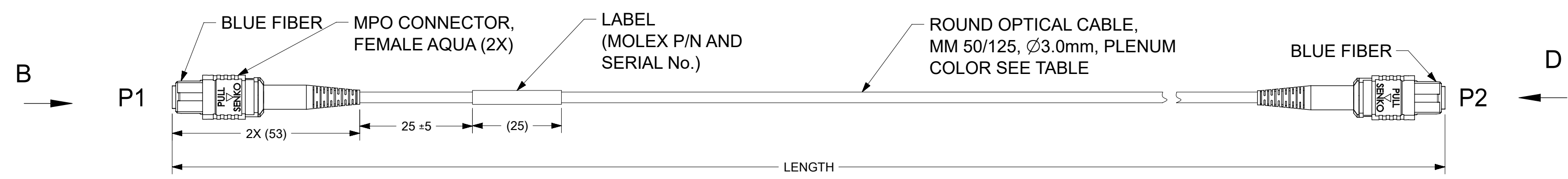
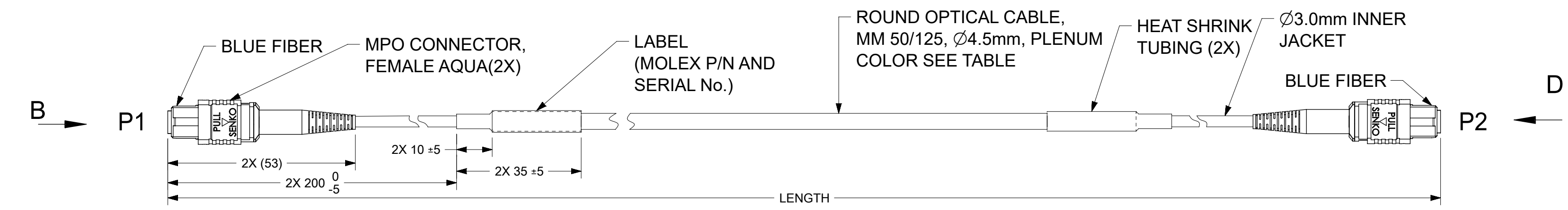


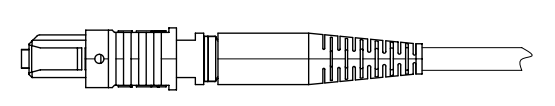
| QSFP CABLE ASSEMBLY PART NUMBER | | | OVERALL LENGTH L (m) | CABLE DIA (mm) | CABLE TYPE |
|---|---|---|----------------------|----------------|-------------------------------------|
| STANDARD BANDWIDTH (OM2 FIBER) (ORANGE CABLE) | HIGH BANDWIDTH (OM3 FIBER) (AQUA CABLE) | HIGH BANDWIDTH (OM4 FIBER) (AQUA CABLE) | | | |
| 885366101 | 885366201 | 885366301 | 1.0 +0.2/-0 | 3.0 | 12 FIBER ROUND CABLE, SINGLE JACKET |
| 885366103 | 885366203 | 885366303 | 3.0 +0.2/-0 | | |
| 885366105 | 885366205 | 885366305 | 5.0 +0.2/-0 | | |
| 885366110 | 885366210 | 885366310 | 10.0 +0.3/-0 | | |
| 885366115 | 885366215 | 885366315 | 15.0 +0.3/-0 | | |
| 885366120 | 885366220 | 885366320 | 20.0 +0.4/-0 | 4.5 | 12 FIBER ROUND CABLE, DUAL JACKET |
| 885366130 | 885366230 | 885366330 | 30.0 +0.6/-0 | | |
| 885366140 | 885366240 | 885366340 | 40.0 +0.8/-0 | | |
| 885366150 | 885366250 | 885366350 | 50.0 +1.0/-0 | | |
| 885366160 | 885366260 | 885366360 | 60.0 +1.2/-0 | | |
| 885366170 | 885366270 | 885366370 | 70.0 +1.5/-0 | | |
| 885366180 | 885366280 | 885366380 | 80.0 +1.6/-0 | | |
| 885366199 | 885366299 | 885366399 | 100.0 +2.0/-0 | | |



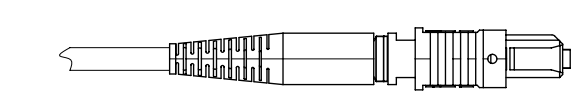
SINGLE JACKET ASSEMBLY



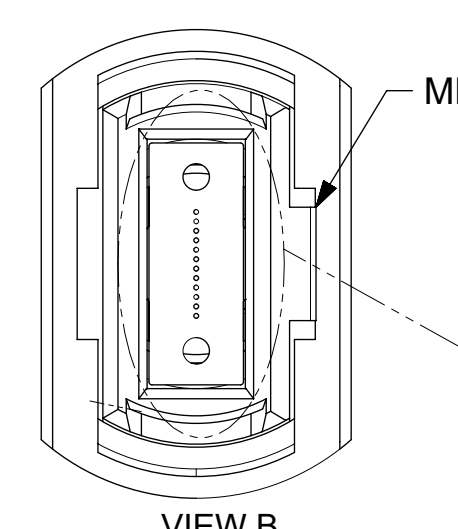
DUAL JACKET ASSEMBLY



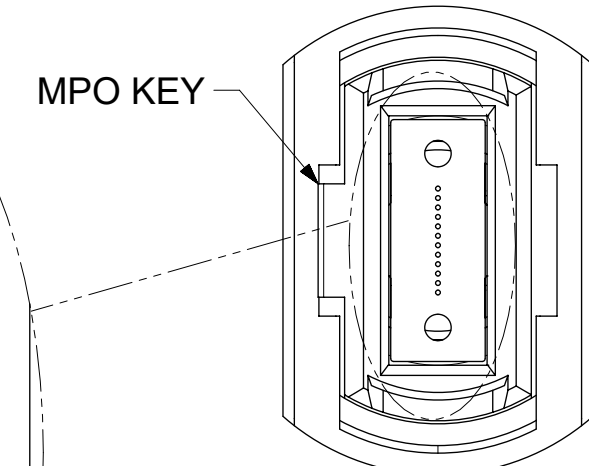
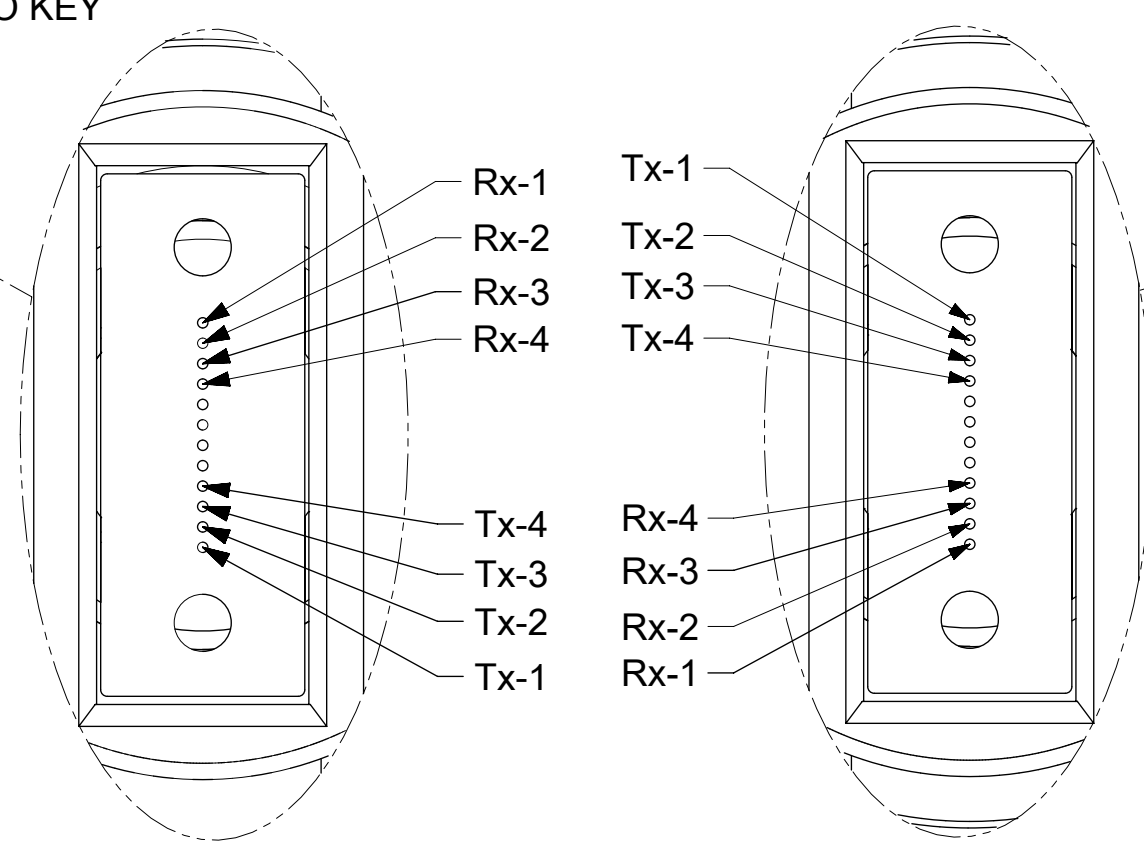
VIEW A



VIEW C



VIEW B SCALE 5:1



VIEW D SCALE 5:1

NOTES:

1. CABLE ASSEMBLY SPECIFICATIONS:

| | |
|------------------------------------|--------------------------------------|
| OPTICAL PROPERTIES | MULTIMODE 50/125 μm BEND-INSENSITIVE |
| FIBER TYPE | 1.0 dB |
| CONNECTOR INSERTION LOSS MPO(MAX.) | 3.5/1.2 dB/km AT 850/1300 nm for OM2 |
| CABLE ATTENUATION (MAX.) | 3.0/1.2 dB/km AT 850/1300 nm for OM3 |
| | 3.0/1.0 dB/km AT 850/1300 nm for OM4 |
| | SEE TABLE 1 |
| OVERFILLED LAUNCH BANDWIDTH, MIN. | |
| ENVIRONMENTAL PROPERTIES | UL94 V-0 |
| CONNECTOR MATERIALS | PLENUM OFNP |
| CABLE FLAMMABILITY RATING | -20°C TO +70°C |
| OPERATING TEMPERATURE RANGE | |
| MECHANICAL PROPERTIES | |
| FIBER COUNT | 4 Tx X 4 Rx |

2. ENDCAPS ARE NOT SHOWN BUT INLCUED.

3. CABLE CONSTRUCTION:
 - L < 25 meters - SINGLE JACKET CABLE
 - L ≥ 25 meters - RUGGEDIZED CENTRAL TUBE CABLE

4. INSERTION LOSS TEST DATA IS PROVIDED WITH EACH SHIPMENT.

5. PACKAGING:
 - L < 50 meters - INDIVIDUALLY COILED AND BAGGED
 - L ≥ 50 meters - SHIPPED ON SPOOLS

TABLE 1

| FIBER TYPE | OVERFILLED LAUNCH BANDWIDTH, MIN. (MHz-km) | | 1 GIGABIT ETHERNET LINK DISTANCE, MIN. (m) | | 10 GIGABIT ETHERNET LINK DISTANCE, MIN. (m) | | EFFECTIVE MODAL BANDWIDTH (MHz-km) |
|--------------------------|--|---------|--|---------|---|---------|------------------------------------|
| | 850 nm | 1300 nm | 850 nm | 1300 nm | 850 nm | 1300 nm | 850 nm |
| STANDARD BANDWIDTH (OM2) | 500 | 500 | 600 | --- | 82 | --- | --- |
| HIGH BANDWIDTH (OM3) | 1500 | 500 | 1000 | --- | 300 | --- | 2000 |
| HIGH BANDWIDTH (OM4) | 3500 | 550 | 1040 | --- | 550 | --- | 4700 |

THIS DRAWING CONTAINS INFORMATION THAT IS PROPRIETARY TO MOLEX ELECTRONIC TECHNOLOGIES, LLC AND SHOULD NOT BE USED WITHOUT WRITTEN PERMISSION

| | | | |
|--|---------------------------------------|------------------------|-------------------|
| FUNCTIONAL SYMBOLS | DIMENSION UNITS | SCALE | CURRENT REV DESC: |
| FA = 0 | mm | NTS | |
| FC = 0 | GENERAL TOLERANCES (UNLESS SPECIFIED) | | |
| FD = 0 | ANGULAR TOL ± ° | | |
| DIVISIONAL SYMBOLS | 4 PLACES | ± | |
| | 3 PLACES | ± | |
| | 2 PLACES | ± | |
| | 1 PLACE | ± | |
| | 0 PLACES | ± | |
| DRAFT WHERE APPLICABLE MUST REMAIN WITHIN DIMENSIONS | | THIRD ANGLE PROJECTION | DRAWING SERIES |
| | | D-SIZE | 88536 |

EC NO: 661442
 DRWN: JHUANG18 2021/04/23
 CHK'D: IGUMIN 2021/05/03
 APPR: IGUMIN 2021/05/03

INITIAL REVISION:
 DRWN: JHUANG18 2021/04/23
 APPR: IGUMIN 2021/05/03

| | | | | |
|-----------------|----------------|--------------|----------|----------|
| DOCUMENT NUMBER | | DOC TYPE | DOC PART | REVISION |
| 885366301 | | PSD | 000 | A |
| MATERIAL NUMBER | CUSTOMER | SHEET NUMBER | | |
| SEE TABLE | GENERAL MARKET | 1 OF 1 | | |

molex

MOLEX MPO QSFP MM JUMPER CABLE ASSEMBLY

PRODUCT CUSTOMER DRAWING

| OPTICAL CONNECTION | |
|--------------------|--------|
| FROM P1 | TO P2 |
| Rx-1 | Tx-1 |
| Rx-2 | Tx-2 |
| Rx-3 | Tx-3 |
| Rx-4 | Tx-4 |
| UNUSED | UNUSED |
| UNUSED | UNUSED |
| UNUSED | UNUSED |
| UNUSED | UNUSED |
| Tx-4 | Rx-4 |
| Tx-3 | Rx-3 |
| Tx-2 | Rx-2 |
| Tx-1 | Rx-1 |