

# Miniature Bayonet 2 SERIES

- MINIATURE BAYONET NON-GROUNDED OR GROUNDED LAMP HOLDERS
- 6" WIRE LEADS • ELECTRO-TINNED PLATED STEEL SHELL
- VULCANIZED FIBER SLEEVE ON NON-GROUNDED UNITS
- MAXIMUM RATING: 75 WATTS, 125 VOLTS

## Overview

The 2 Series lampholders are constructed with a electro-tinned plated steel shell and 6" wire leads. Lampholders can be supplied as either non-grounded or grounded units. Non-grounded units are supplied with an insulating gray vulcanized fiber sleeve and two wire leads. Grounded units are supplied with one wire lead. A separate ground wire is available upon request. Many bracket and mounting options are available including several 5/8" mounting hole plug buttons and a threaded bushing for 19/64" mounting holes. Lampholders are designed for use with miniature bayonet lamps.

## Specifications

**Shell:** electro-tinned plated steel.

**Sleeve:** gray vulcanized fiber sleeve supplied with non-grounded lampholders.

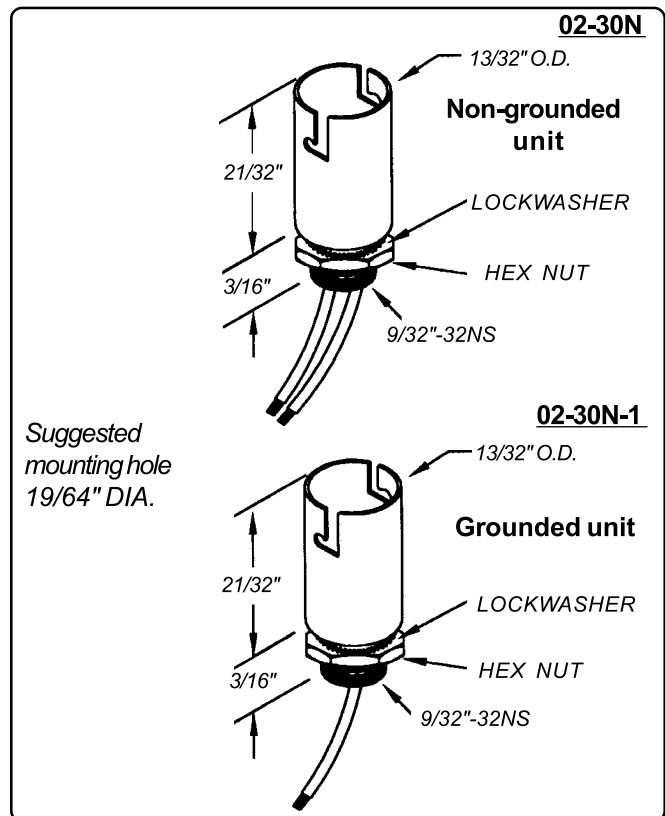
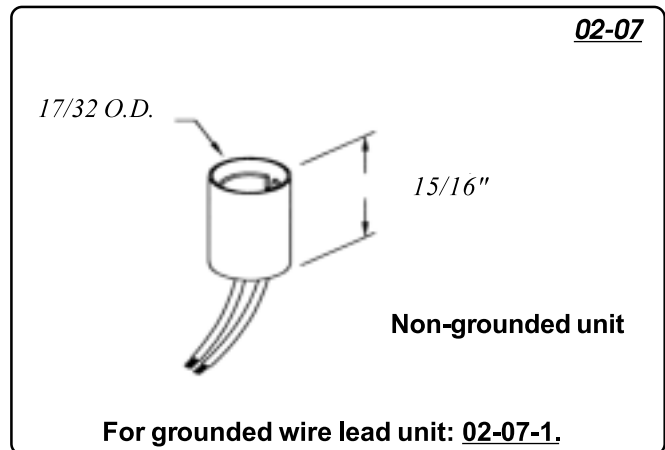
**Wire leads: 6" Leads:** #22 AWG, black & white, tinned copper with overcoat, PVC insulated, UL/CSA rated 80 °C, stripped 1/2". Non-grounded units are supplied with two 6" wire leads. Grounded units are supplied with one black 6" wire lead. Custom wire lengths, stripping, termination and wire types are also available.

**Mounting brackets:** .025" to .032" zinc plated steel. Custom brackets and plating types are available.

**Threaded bushing:** for 19/64" diameter mounting hole. Supplied with lockwasher and hex nut.

**Plug buttons:** zinc-plated steel for 5/8" mounting hole.

**Maximum rating:** 75 Watts, 125 Volts.

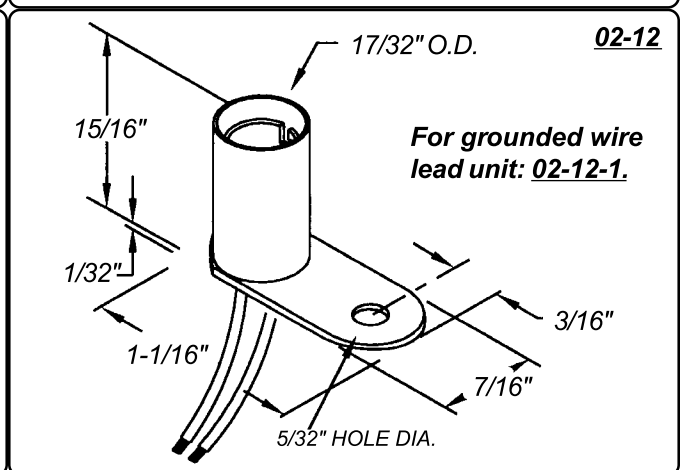
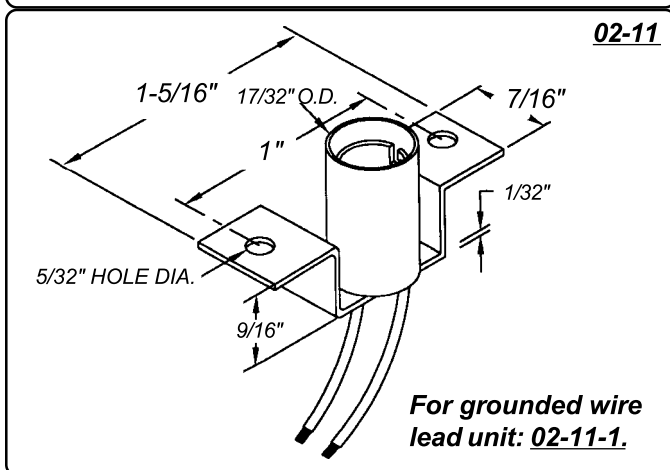
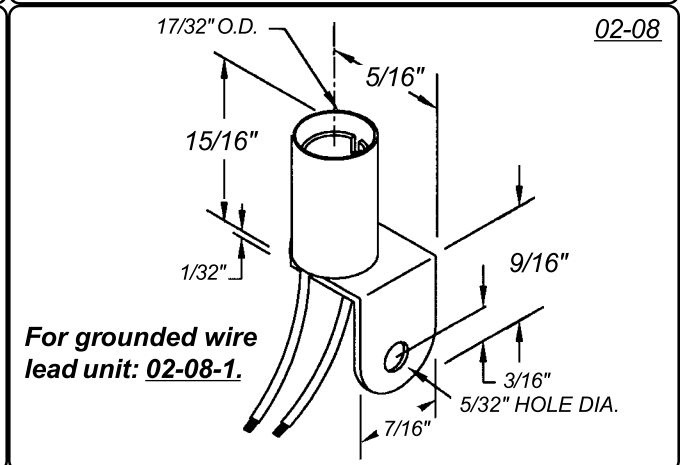
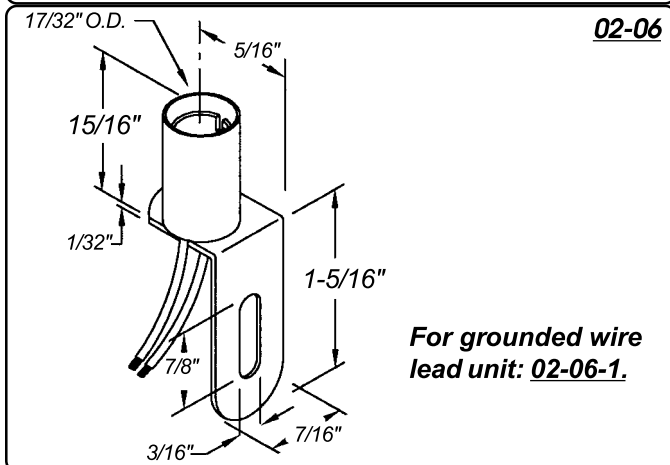
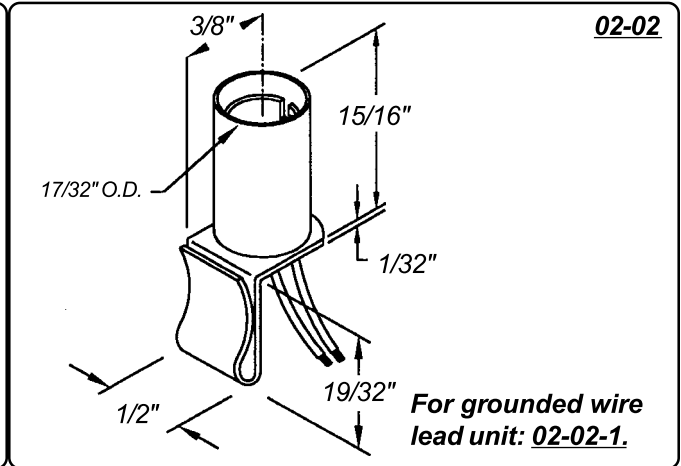
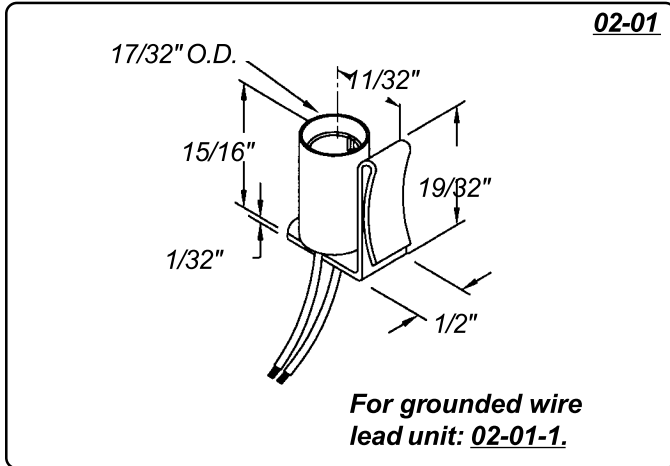


# Miniature Bayonet

## 2 SERIES

Maximum Rating: 75 Watts, 125 Volts  
 Non-Grounded or Grounded Units

Electro-Tinned Plated Steel Shell  
 6" Wire Leads  
 (Non-Grounded Units Have Fiber Sleeve)

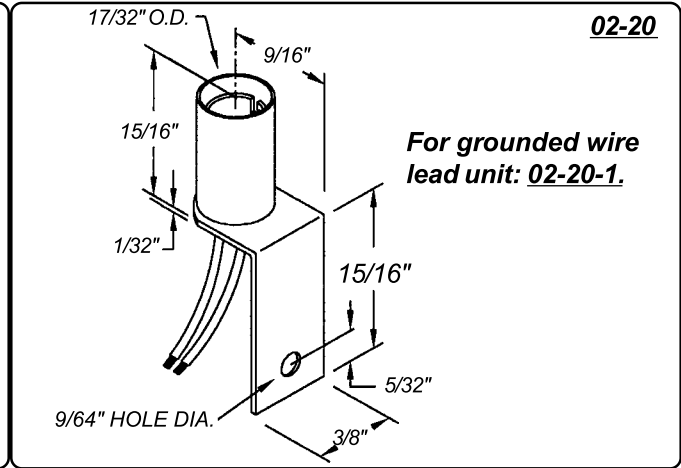
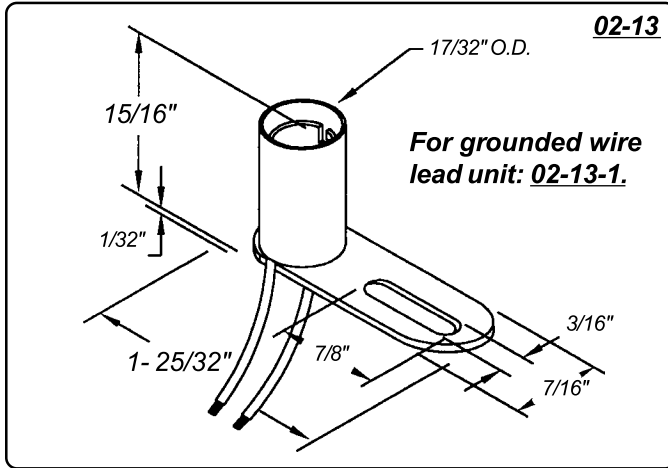


# Miniature Bayonet

## 2 SERIES

Maximum Rating: 75 Watts, 125 Volts  
 Non-Grounded or Grounded Units

Electro-Tinned Plated Steel Shell  
 6" Wire Leads  
 (Non-Grounded Units Have Fiber Sleeve)



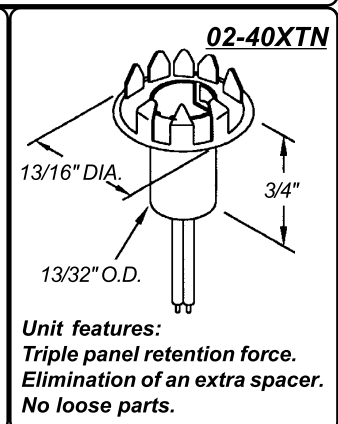
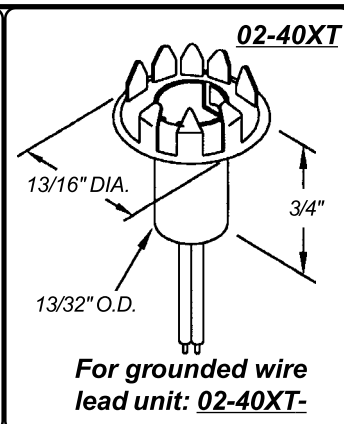
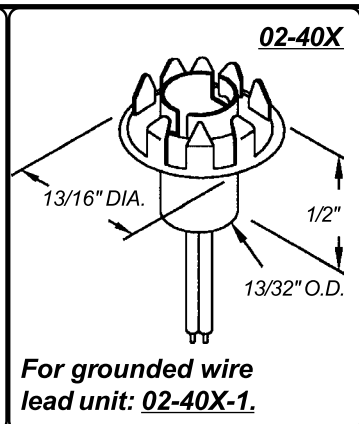
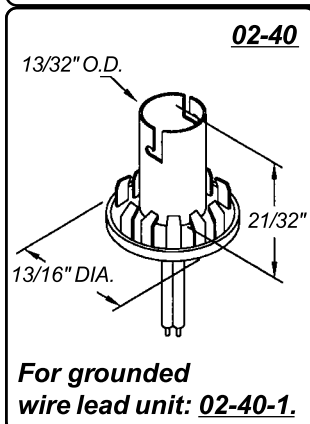
Bracket No.	"A" Dimension
-14	7/8"
-15	1-1/4"
-18	1-1/2"
-82	1"

Maximum Panel Thickness .045"

**02-14**  
**02-15**  
**02-18**  
**02-82**

Mounting Hole Diagram

For grounded wire lead units:  
**02-14-1, 02-15-1, 02-18-1, 02-82-1.**



Plug buttons: zinc-plated steel, for 5/8" hole with panel thickness range 1/16" to 3/32".