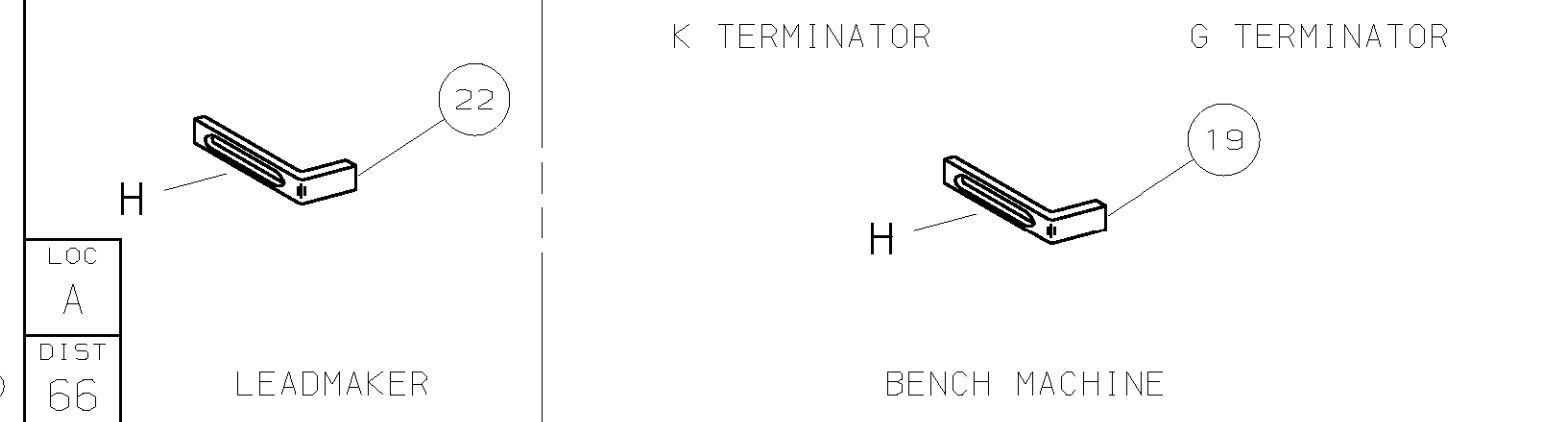
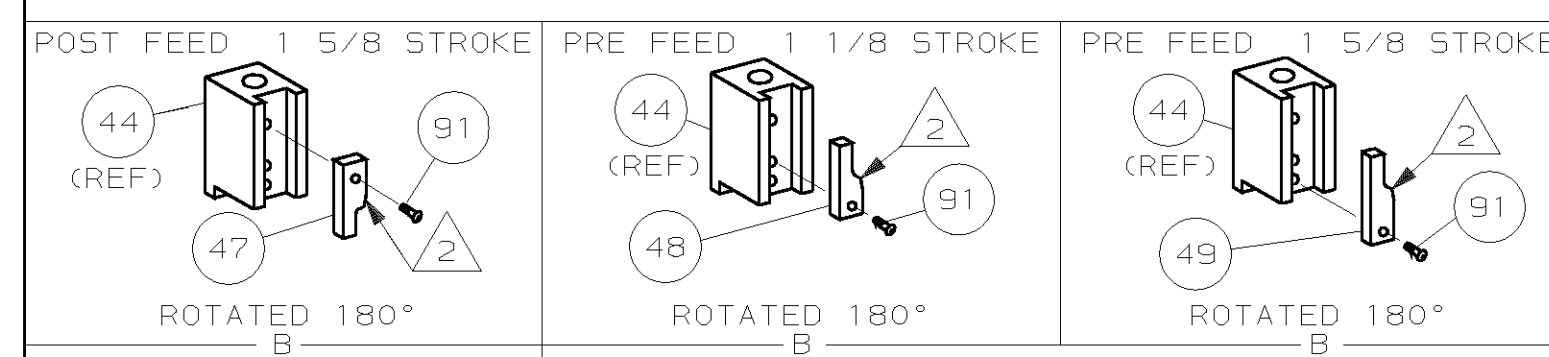
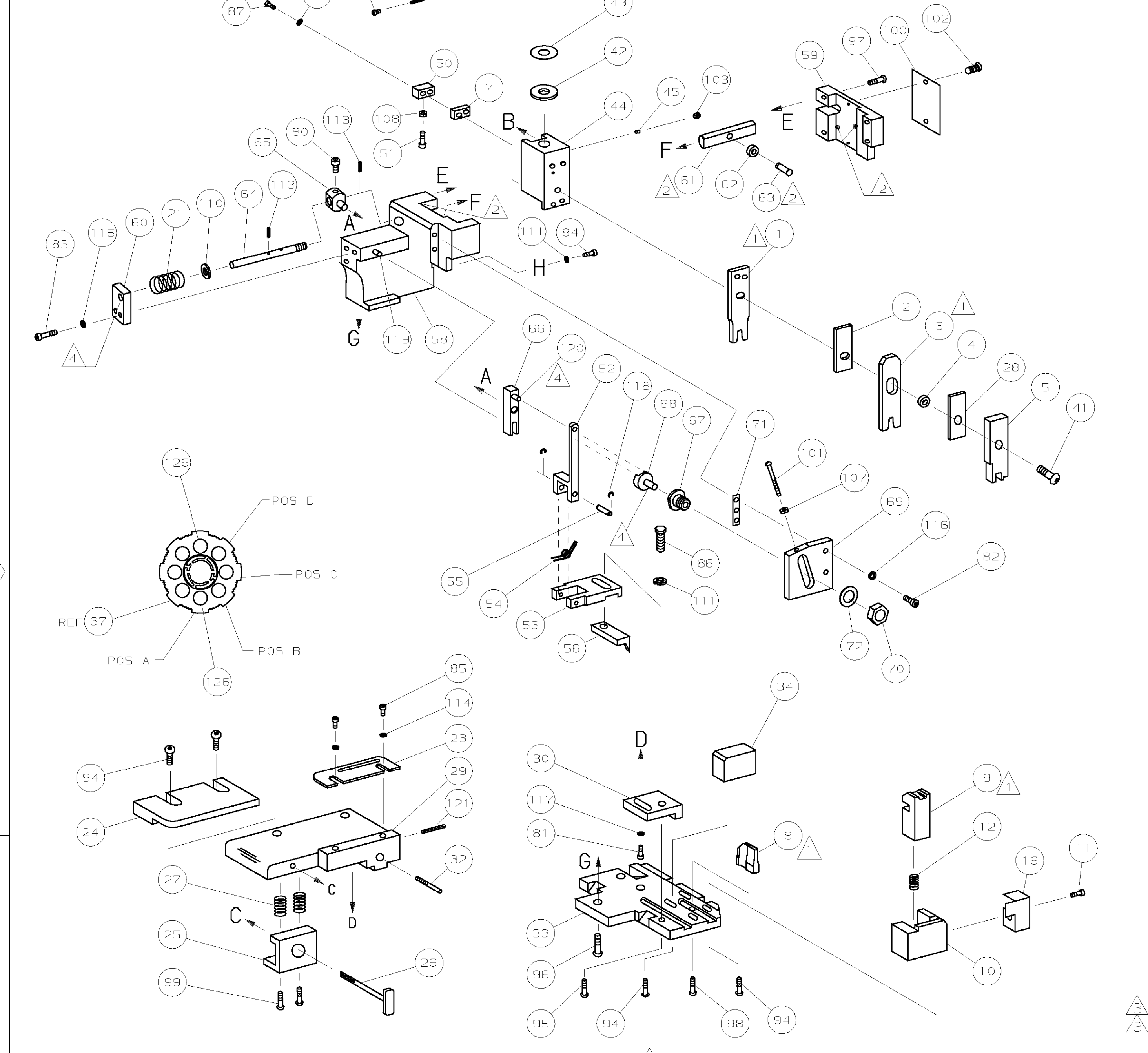
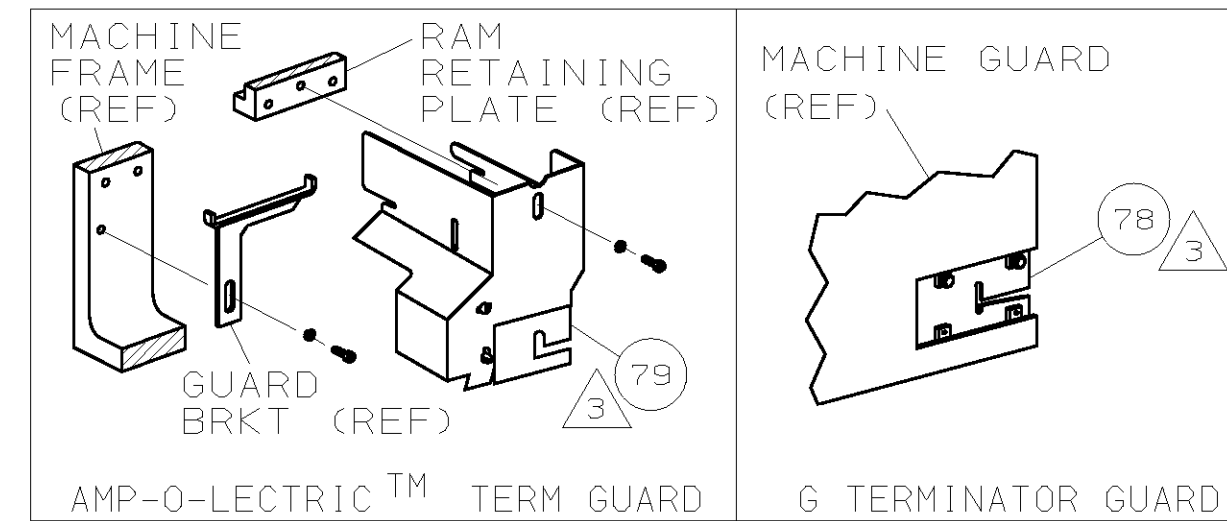


PART NUMBER	REV	FIRST USED
1385221-1	A	122500-1
1385221-2	A	565435-5
1385221-3	A	354500-1



LOC A  
D1ST 66  
LEADMAKER  
BENCH MACHINE

- 1 RECOMMENDED SPARE PARTS.  
2 GREASE LIGHTLY.  
3 GUARD MUST BE IN PLACE WHEN OPERATING APPLICATOR IN A BENCH MACHINE.  
4 LUBRICATE DAILY USING NO. 20 MACHINE OIL.  
5. ITEMS WITH QTY OF REF SPECIFIED (EXCEPT ITEMS 78 AND 79) ARE USED ON ITEM 46.

TERMINAL NAME: TERMINAL, RECEPTACLE					
AMP PN	MFR PN	JAE TERMINAL		CUST CRIMP SPECS	
286917	MX5-B-SG-C2-5000	PAD LTR	CRIMP HEIGHT	WIRE SIZE	
286921	MX5-SG-PC2	A	.043 ±.002 [1.09 ±0.05mm]	20	
		B	NOT	USED	
		C	NOT	USED	
		D	NOT	USED	
		CRIMP	SIZE	TYPE	RANGE
		WIRE	.070 [1.78mm]	F	20
		INSUL	.070 [1.78mm]	F	.072

WIRE STRIP LENGTH	TERM APPL SPEC	FEED	APPL INSTRUCTION	SET UP GAGE	LAYOUT
.138-.142	NONE	.354	408-8040	458637-1	L2490

QTY	REF	REF	REF	REF	REF	DESCRIPTION	ITEM NO
129							
128							
127							
2	2	2		-	C	3-354779-6 PIN, WIRE DISC (.3170)A	126
1	1	1		-	A	986950-1 WASHER, FLAT PRECISION	125
1	1	1		-	A	217238-1 GENERAL INSTRUCTION PACKAGE	124
1	1	1		-	-	4088040 SF APPL INST 408-8040	123
122							
1	1	1		-	A	4-21028-0 PIN,SLT SPR(ø.093x.75)ST GDE PL	121
REF	REF	REF		-	A	1-21030-1 PIN,DOWEL (ø.187x.50)LEVER	120
REF	REF	REF		-	A	1-21030-6 PIN,DOWEL (ø.187x.1.25)HOUSING	119
REF	REF	REF		-	A	21045-3 RING,RET "C"(ø.187)FD FING PIN	118
1	1	1		-	A	21024-5 WASHER, LOCK (#10)ADJ BLK	117
REF	REF	REF		-	A	21024-5 WASHER,LOCK (#10)ADJ PLATE	116
REF	REF	REF		-	A	21024-5 WASHER,LOCK (#10)FEED GDE ROD	115
2	2	2		-	A	21024-2 WASHER,LOCK (#4)FRONT STP GUIDE	114
REF	REF	REF		-	A	5-21028-1 PIN,SLT SPR(ø.125x.50)ADJ ROD	113
112							
4	4	4		-	A	21024-4 WASHER,LOCK (#8)STRIPPER	111
REF	REF	REF		-	A	21899-4 WASHER, FLAT (ø5/16)SCREW ADJ	110
109							
1	1	1		-	A	21018-5 NUT, HEX (NO. 6)HOLDDOWN	108
REF	REF	REF		-	A	21068-5 NUT, HEX (6-32)FEED ADJ	107
106							
105							
104							
1	1	1		-	A	21009-2 SCR,5KT SET(1/4-20x.25 LW)RAM	103
2	2	2		-	A	21017-2 SCR,DRIVE (#2x.19)ID PLATE	102
REF	REF	REF		-	A	6-23715-5 SCR,PAN HD (6-32x1.50)FEED ADJ	101
1	1	1		-	B	461264-1 PLATE, IDENTIFICATION	100
2	2	2		-	A	3-21002-0 SCR,BHC (10-32x.88)DRAG	99
1	1	1		-	A	22733-8 SCR,BHC (8-32x.38 LW)ANVIL	98
REF	REF	REF		-	A	2-21002-9 SCR,BHC (10-32x.75)CAP	97
REF	REF	REF		-	A	2-22733-8 SCR,BHC (1/4-20x.62)HOUSING	96
REF	REF	REF		-	A	2-21002-7 SCR,BHC (10-32x.50)5G ADJ BLOCK	95
4	4	4		-	A	2-21002-2 SCR,BHC (8-32x.50)TERM H DWN	94
93							
92							
1	1	1		-	A	1-21002-7 SCR,BHC (6-32x.38)CAM	91
90							
89							
88							
2	2	2		-	A	2-21000-8 SCR,SHC (8-32x.62)DEP-HOLD	87
1	1	1		-	A	2-22603-0 SCR,HEX HD (8-32x.31)FEED FINGER	86
2	2	2		-	A	1-21000-3 SCR,SHC (4-40x.25)F ST GUIDE	85
1	1	1		-	A	2-21000-7 SCR,SHC (8-32x.50)STRIPPER	84
REF	REF	REF		-	A	3-21000-7 SCR,SHC (10-32x.75)FEED ROD GD	83
REF	REF	REF		-	A	3-21000-6 SCR,SHC (10-32x.62)FD ADJ BLK	82
1	1	1		-	A	3-21000-4 SCR,SHC (10-32x.38)5G ADJ BL	81
REF	REF	REF		-	A	3-21000-4 SCR,SHC (10-32x.38)PIVOT BLK	80
-	REF	-		-	B	455749-1 GUARD, WINDOW	79
REF	-	-		-	B	679532-1 INSERT, GUARD	78
77							
76							
75							
1	1	1		-	A	690603-1 SPRING, ASSIST	74
1	1	1		-	A	23030-1 SCR,SHC (6-32x.25 SL)INS DISC	73
REF	REF	REF		-	A	458109-1 WASHER, SPECIAL	72
REF	REF	REF		-	A	690517-1 SPACER	71
71							
70							
69							
68							
67							
66							
65							
64							
63							
62							
61							
60							
59							
58							
57							
56							
55							
54							
53							
52							
51							
50							
49							
48							
47							
46							
45							
44							
43							
42							
41							
40							
39							
38							
37							
36							
35							

QTY	REF	REF	REF	REF	REF	DESCRIPTION	ITEM NO
1	1	1		-	B	458537-2 PAWL, FEED	56
REF	REF	REF		-	B	240624-1 PIN, FEED FINGER	55
REF	REF	REF		-	B	691499-1 SPRING, FEED FINGER	54
REF	REF	REF		-	B	690541-1 HOLDER, FEED FINGER	53
REF	REF	REF		-	A	455679-2 LEVER, TERMINAL FEED ARM	52
1	1	1		-	A	811242-2 BUMPER, HOLDDOWN	51
1	1	1		-	A	690753-1 SPACER, TONKER	50
1	-	-		-	B	690602-6 CAM, PRE-FEED 1 5/8 ST	49
-	1	-		-	B	690602-5 CAM, PRE-FEED 1 1/8 ST	48
-	-	1		-	B	690501-4 CAM, POST-FEED 1 5/8 ST	47
1	1	1		-	B	459456-2 APPLICATOR, BASIC (SUBASSY)	46
1	1	1		-	A	690191-1 PLUG, NYLON	45
1	1	1		-	C	455673-1 RAM	44
1	1	1		-	A	690125-1 WASHER, LAMINATED	43
1	1	1		-	A	690124-1 WASHER, RAM	42
1	1	1		-	A	7-21002-9 BOLT, CRIMPER (5/16x1.00)	41
1	1	1		-	A	23241-6 BALL, STEEL	40
1	1	1		-	A	690170-1 SPRING, COMPRESSION	39
1	1	1		-	C	690142-1 DISC, INSULATION	38
1	1	1		-	D	354777-1 WIRE DISC, PLASTIC	37
1	1	1		-	A	22480-5 WASHER, SPRING	36
1	1	1		-	B	690212-1 POST, RAM	35
1	1	1		-	B	690786-6 SUPPORT, TERMINAL	34
REF	REF	REF		-	D	455675-1 PLATE, BASE	33
1	1	1		-	A	690432-3 SCREW, ADJUSTMENT	32
31							
REF	REF	REF		-	B	455689-1 BLOCK, STRIP GUIDE ADJ	30
1	1	1		-	C	455671-1 PLATE, STRIP GUIDE	29
1	1	1		-	C	1-455888-0 SPACER, FRONT SHEAR DEP	28
2	2	2		-	A	1-22284-0 SPRING, DRAG	27
1	1	1		-	B	690546-1 LEVER, DRAG RELEASE	26
1	1	1		-	B	240792-1 DRAG, TERMINAL	25
1	1	1		-	D	6-690504-1 GUIDE, STRIP (REAR)	24
1	1	1		-	A	690438-1 GUIDE, STRIP (FRONT)	23
-	-	1		-	B	690472-2 STRIPPER	22
REF	REF	REF		-	A	4-22284-9 SPRING, FEED RETURN	21
20							
1	1	-		-	B	1338981-1 STRIPPER	19
18							
17							
1	1	1		-	B	318563-1 GUARD, CHIP, FRONT	16
15							
14							
13							
1	1	1		-	A	5-22280-0 SPRING, SHEAR	12
1	1	1		-	B	690461-1 STOP, SHEAR	11
1	1	1		-	C	690459-1 HOLDER, SHEAR (FRONT)	10
1	1	1		-	C	462006-1 SHEAR, FLOAT (FRONT)	9
1	1	1		-	C	1338496-3 ANVIL	8
1	1	1		-	C	2-240641-4 SPACER, DEPRESSOR (REAR)	7
6							
1	1	1		-	C	1-455889-3 DEPRESSOR, SHEAR (FRONT)	5
1	1	1		-	B	238011-6 SPACER, BLOCK CRIMPER	4
1	1	1		-	C	3-683453-3 CRIMPER, INSULATION	3
1	1	1		-	C	455888-6 SPACER, CRIMPER	2
1	1	1		-	C	1-456404-6 CRIMPER, WIRE	1

QTY	REF	REF	REF	REF	REF	DESCRIPTION	ITEM NO
-3	-2	-1	U/M	Dwg SIZE			

THIS DRAWING IS A CONTROLLED DOCUMENT.

RELEASED FOR PUBLICATION  
BY AMP INCORPORATED. ALL RIGHTS RESERVED.  
2000  
THIS DRAWING IS UNRELEASED.  
© COPYRIGHT 2000