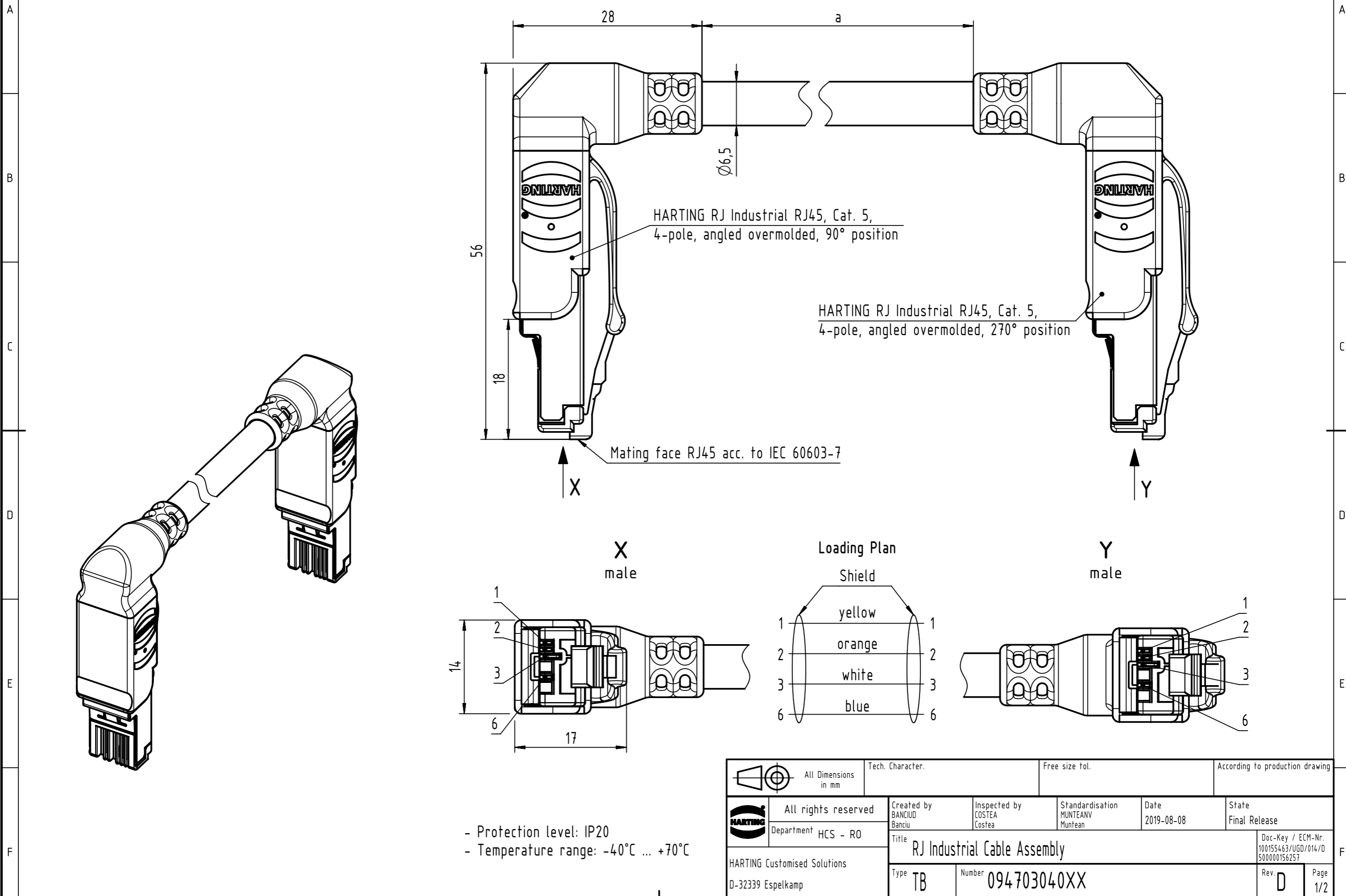


Connector Location A

Connector Location B



- Protection level: IP20  
 - Temperature range: -40°C ... +70°C

All Dimensions in mm		Tech. Character.		Free size tol.		According to production drawing	
	All rights reserved		Created by BANIUD Banciu	Inspected by COSTEA Costea	Standardisation MUNTEANV Muntean	Date 2019-08-08	State Final Release
	Department HCS - RO		Title RJ Industrial Cable Assembly				Doc-Key / ECM-Nr. 100155463/UGD/014/D 500000156257
HARTING Customised Solutions D-32339 Espelkamp			Type TB	Number 094703040XX		Rev. D	Page 1/2

1	2	3	4
44	09470304044	RJ1 Ethernet Stranded Cable, 4xAWG 22/7, PVC, Cat. 5+, green	100
43	09470304043		90
42	09470304042		80
41	09470304041		70
40	09470304040		60
39	09470304039		50
38	09470304038		40
37	09470304037		30
36	09470304036		20
35	09470304035		15
34	09470304034		10
33	09470304033		9
32	09470304032		8
31	09470304031		7
30	09470304030		6
29	09470304029		5
28	09470304028		4
27	09470304027		3
26	09470304026		2
25	09470304025		1.5
24	09470304024		1
23	09470304023		0.5
22	09470304022		100
21	09470304021		90
20	09470304020		80
19	09470304019		70
18	09470304018		60
17	09470304017	50	
16	09470304016	40	
15	09470304015	30	
14	09470304014	20	
13	09470304013	15	
12	09470304012	10	
11	09470304011	9	
10	09470304010	8	
9	09470304009	7	
8	09470304008	6	
7	09470304007	5	
6	09470304006	4	
5	09470304005	3	
4	09470304004	2	
3	09470304003	1.5	
2	09470304002	1	
1	09470304001	0.5	
<b>Cont. no.</b>	<b>Part no.</b>	<b>Type of cable</b>	<b>Dim. a[m]</b>

5	6	7	8
88	09470304088	RJ1 Ethernet Stranded Cable, 4xAWG 22/7, PVC outdoor, Cat. 5+, black	100
87	09470304087		90
86	09470304086		80
85	09470304085		70
84	09470304084		60
83	09470304083		50
82	09470304082		40
81	09470304081		30
80	09470304080		20
79	09470304079		15
78	09470304078		10
77	09470304077		9
76	09470304076		8
75	09470304075		7
74	09470304074		6
73	09470304073		5
72	09470304072		4
71	09470304071		3
70	09470304070		2
69	09470304069		1.5
68	09470304068		1
67	09470304067		0.5
66	09470304066		100
65	09470304065		90
64	09470304064		80
63	09470304063		70
62	09470304062		60
61	09470304061	50	
60	09470304060	40	
59	09470304059	30	
58	09470304058	20	
57	09470304057	15	
56	09470304056	10	
55	09470304055	9	
54	09470304054	8	
53	09470304053	7	
52	09470304052	6	
51	09470304051	5	
50	09470304050	4	
49	09470304049	3	
48	09470304048	2	
47	09470304047	1.5	
46	09470304046	1	
45	09470304045	0.5	
<b>Cont. no.</b>	<b>Part no.</b>	<b>Type of cable</b>	<b>Dim. a[m]</b>
	All Dimensions in mm	Tech. Character.	Free size tol.
	All rights reserved Department HCS - RO	Created by BANCIUD Banciu	Inspected by COSTEA Costea
		Standardisation MUNTEANV Muntean	Date 2019-08-08
			State Final Release
		Title RJ Industrial Cable Assembly	
		Doc-Key / ECM-Nr. 100155463/UGD/014/D 500000156257	
		Type TB	Number 094703040XX
		Rev. D	Page 2/2