

PART NAME: KNOB SCALE: 1:1 DATE: 2/4/94 DR. BY H.S.

THIS DRAWING IS THE PROPERTY OF DAVIES MOLDING COMPANY, IS SUBMITTED SOLELY AS A DESIGN OR ENGINEERING PROJECT. WE ACCEPT NO RESPONSIBILITY WHATSOEVER FOR THE PRACTICAL APPLICATION OF THE PIECES MADE TO THIS DESIGN.

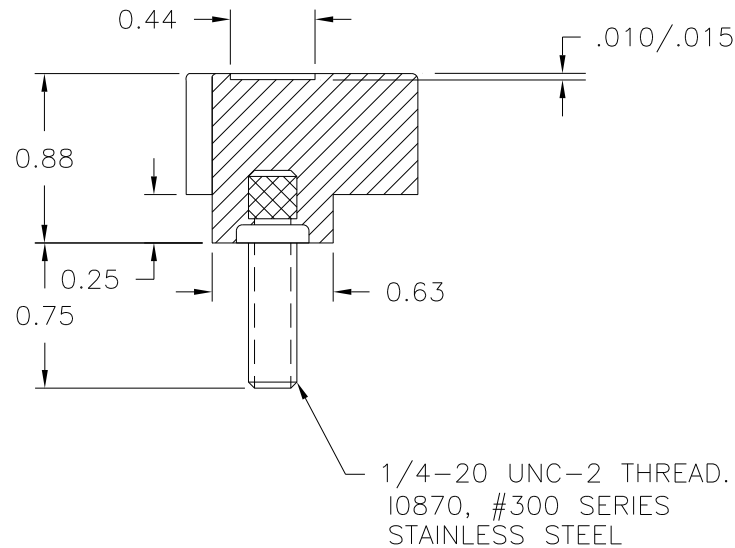
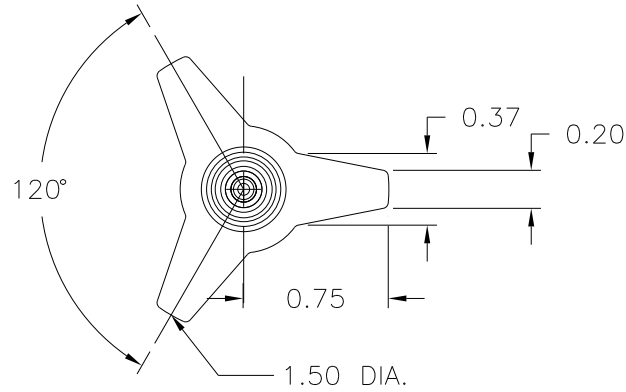


DESIGNERS & MANUFACTURERS OF KNOBS, HANDLES, CASES & CUSTOM PLASTIC COMPONENTS

P/N 3035FA

M^{NO.} 3035

CAVITY	3035
PLUNGER	3035
PLUNGER PIN	3035-A
OUTER PIN	3008-28
INNER PIN	NONE
SHIMS	1/4+1/8
INSERT	10870



MATERIAL: #2535 PLENCO PHENOLIC (B35)
 COLOR: BLACK

TOLERANCES: UNLESS OTHERWISE SPECIFIED	DO NOT SCALE DRAWING			
DECIMALS: X.XXX ± .005 X.XX ± .015	MM: X.XX ± 0.15MM X.X ± 0.4MM	-	ALL DIM. CHANGED TO DECIMALS	HD 5/13/04
FRACTIONS ± 1/64	ANG. ± 1°	A	ADDED INNER & OUTER PINS. CORRECTED TOOLING BOX	TS 10/21/02
CHANGES				