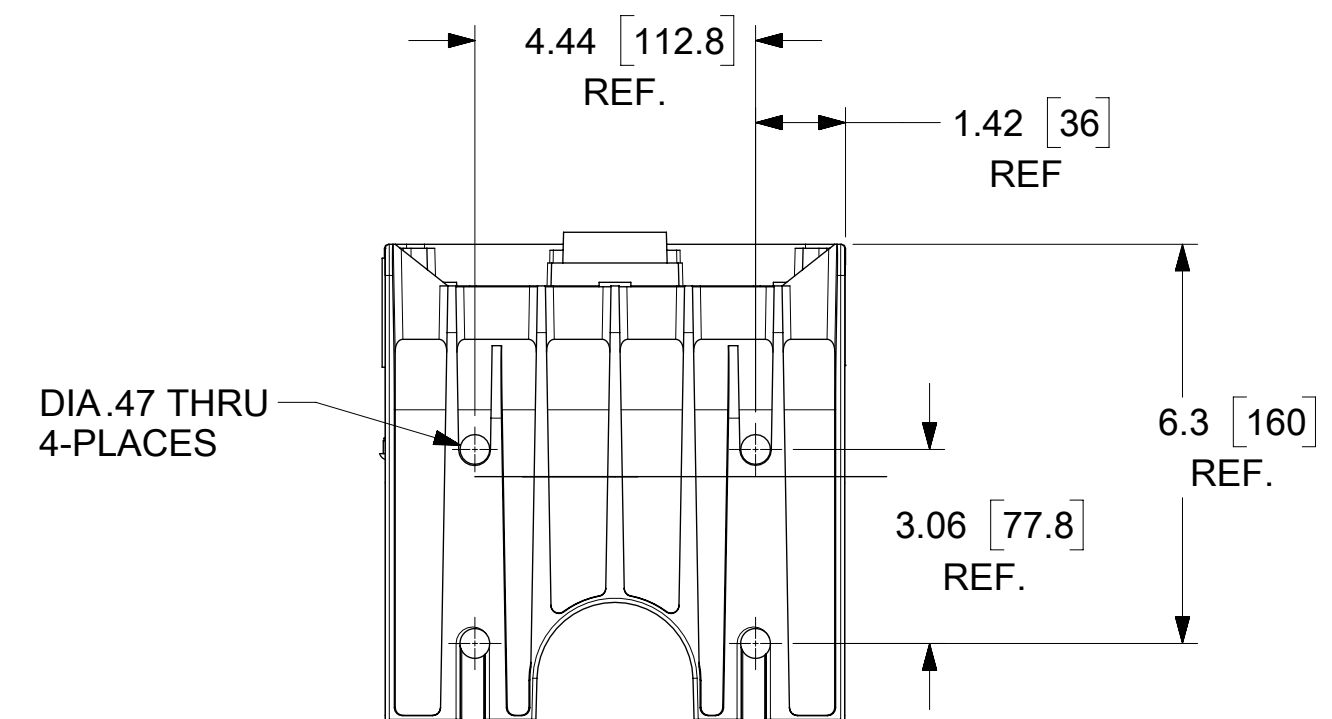
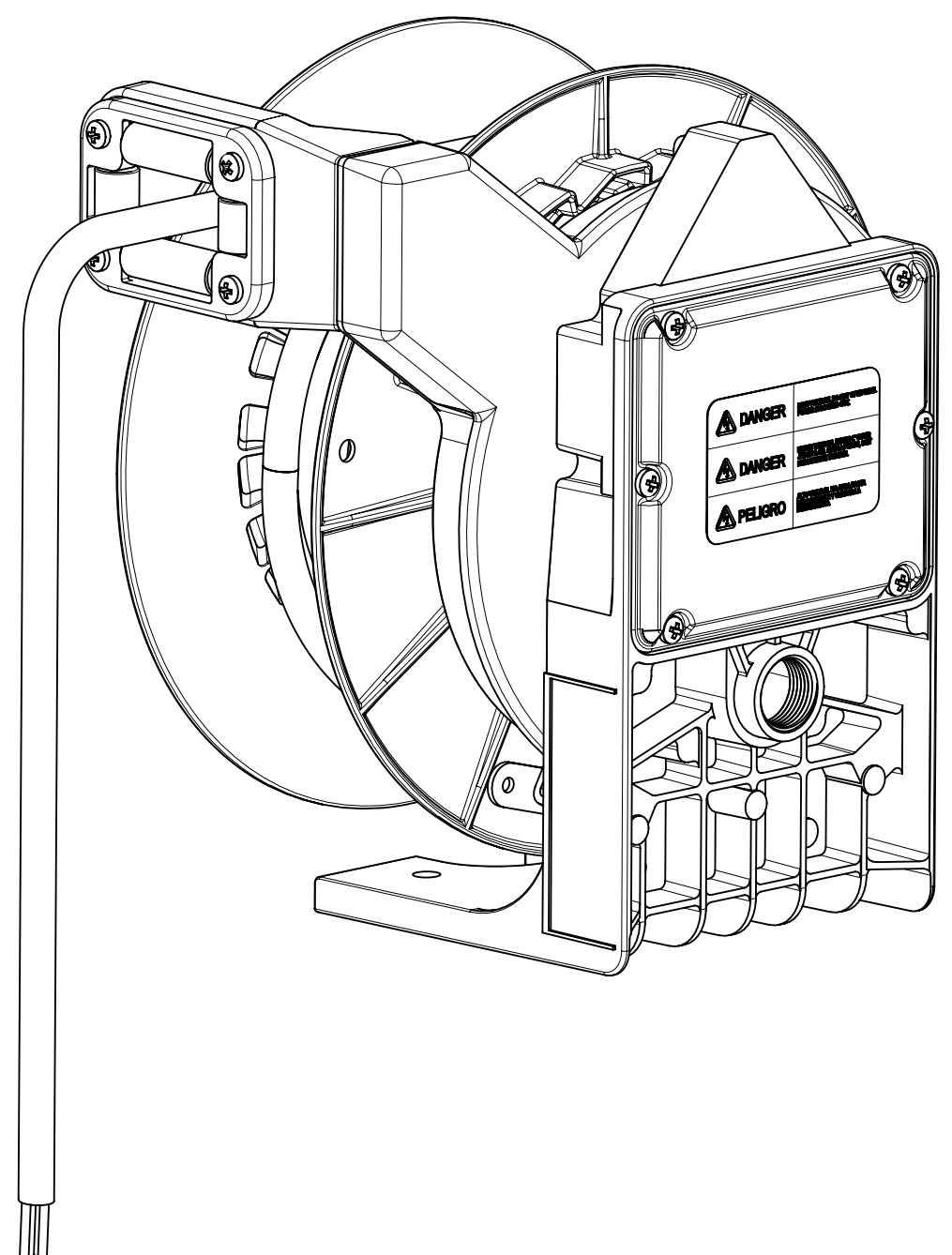
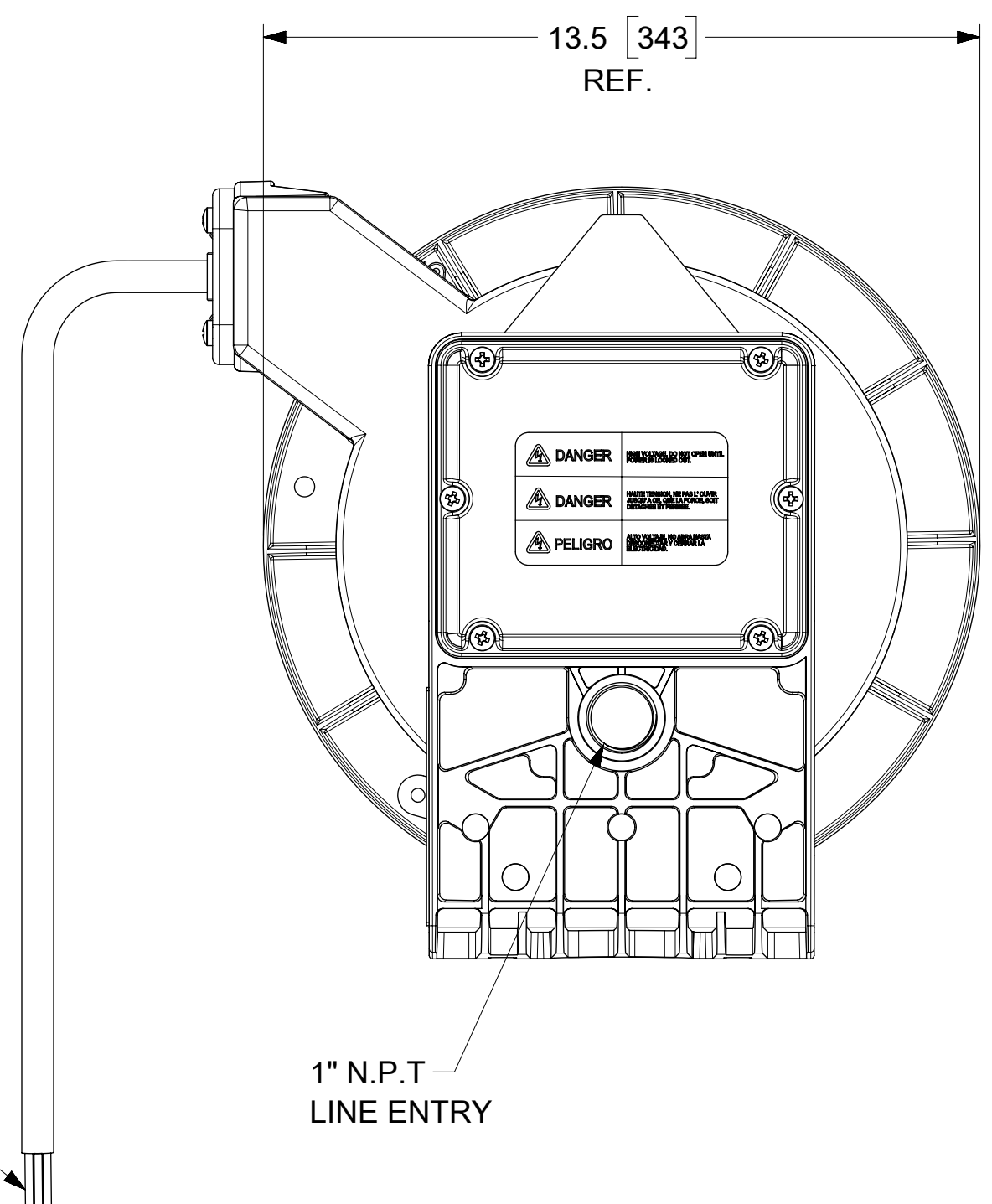
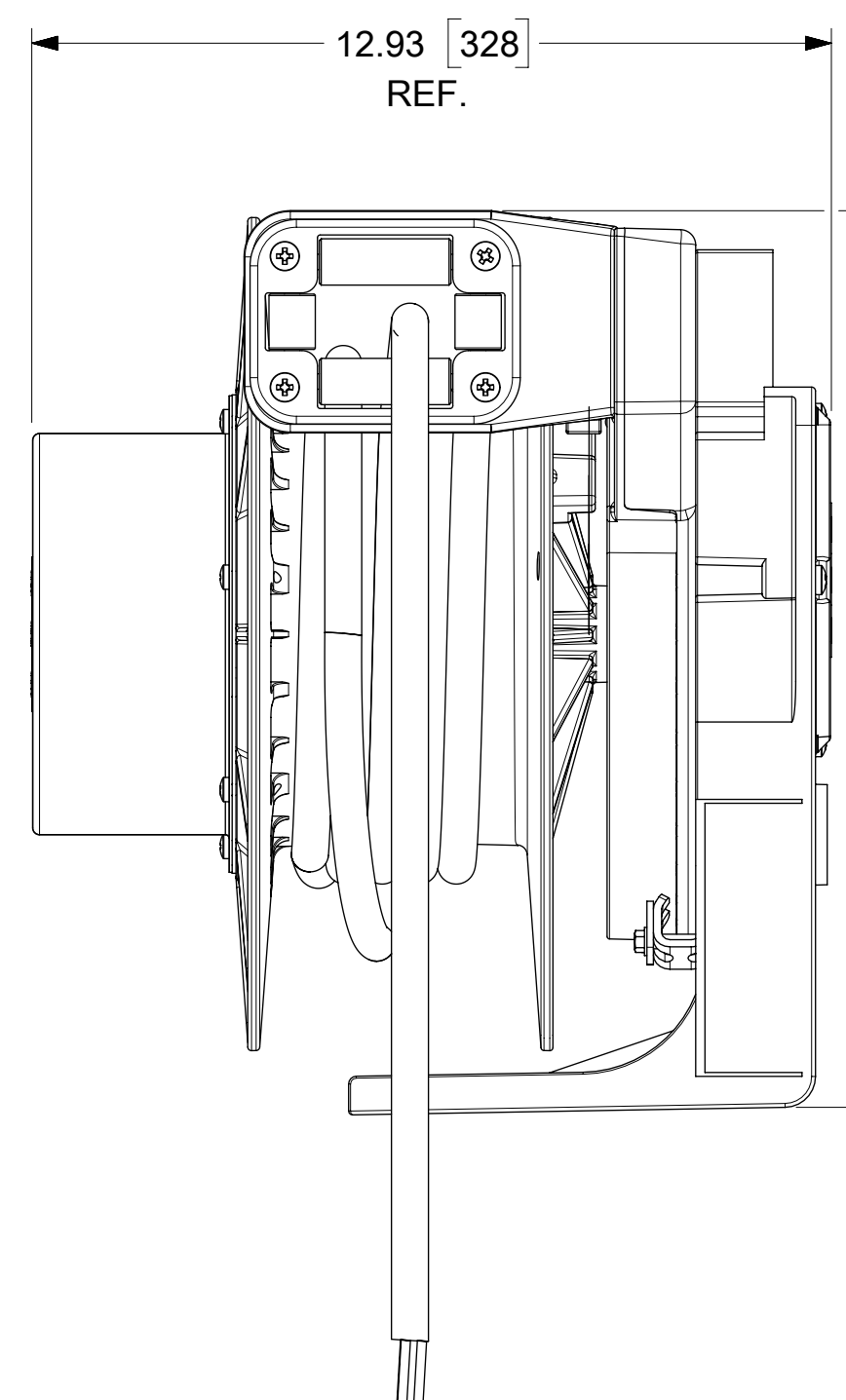


ORDER NO	130083-0230
WOODHEAD ENG. NO	92402
WIRE GAUGE	14
CONDUCTORS	10
AMPERAGE	7A
WORKING CORD	20 FT. BLACK
CORD TYPE	SOOW
CONSTRUCTION	HEAVY WALL CAST ALUMINUM
PAINT	YELLOW POWDER COAT
REEL ENCLOSURE RATING	NEMA 4 INDOOR / OUTDOOR
RETRACTION WEIGHT	4.0 LB [1.8 KG]



BOTTOM VIEW

- NOTES:**
1. CABLE GUIDE IS ADJUSTABLE EVERY 5 DEGREES OVER 270 DEGREE ARC.
 2. RATCHET LOCK IS EASY TO DISENGAGE FOR CONSTANT TENSION.
 3. REEL CANNOT BE "LOCKED OUT" AT FULL EXTENSION.

FUNCTIONAL SYMBOLS	THIS DRAWING CONTAINS INFORMATION THAT IS PROPRIETARY TO MOLEX ELECTRONIC TECHNOLOGIES, LLC AND SHOULD NOT BE USED WITHOUT WRITTEN PERMISSION										
	DIMENSION UNITS		SCALE		CURRENT REV DESC: RELEASE CUSTOMER DRAWING						
$\frac{F}{A} = 0$	INCH/MM		NTS		<p>EC NO: 674091</p> <p>DRWN: VHANDI 2020/07/22</p> <p>CHK'D: DSOPPIN 2022/05/09</p> <p>APPR: HKNEELAND 2022/05/13</p>						
$\frac{F}{C} = 0$	GENERAL TOLERANCES (UNLESS SPECIFIED)										
$\frac{F}{P} = 0$			MM	INCH	<p>INITIAL REVISION:</p> <p>DRWN: VHANDI 2020/07/22</p> <p>APPR: HKNEELAND 2022/05/13</p>						
DIVISIONAL SYMBOLS	4 PLACES	±	±								
	3 PLACES	±	±	0.005	<p>PRODUCT CUSTOMER DRAWING</p> <p>DOCUMENT NUMBER: 1300830230</p> <p>DOC TYPE: PSD</p> <p>DOC PART: 000</p> <p>REVISION: A</p>						
	2 PLACES	±	±	0.01							
	1 PLACE	±	±	0.02	<p>MATERIAL NUMBER: SEE TABLE</p> <p>CUSTOMER: GENERAL MARKET</p> <p>SHEET NUMBER: 1 OF 1</p>						
	0 PLACES	±	±								
	ANGULAR TOL ± 0.5 °				THIRD ANGLE PROJECTION		DRAWING	SERIES			
	DRAFT WHERE APPLICABLE MUST REMAIN WITHIN DIMENSIONS				C-SIZE		130083				