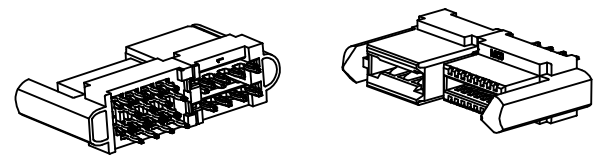
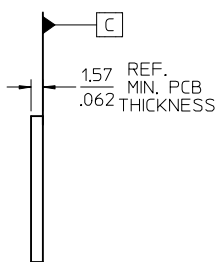
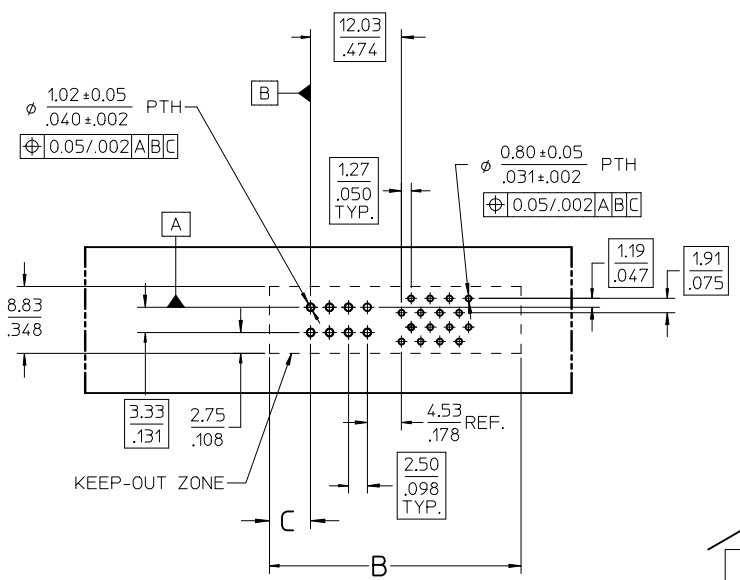


NO OF SIGNALS	MATERIAL NUMBER	COMPLIANT PIN PLATING	DIM A	DIM B	DIM C
12	46114-2120	TIN	29.01/1.142	29.51/1.162	5.45/.215
16	46114-2160	TIN	31.55/1.242	32.05/1.262	
20	46114-2200	TIN	34.09/1.342	34.59/1.362	
24	46114-2240	TIN	36.63/1.442	37.13/1.462	
28	46114-2280	TIN	39.17/1.542	39.67/1.562	
32	46114-2320	TIN	41.71/1.642	42.21/1.662	
36	46114-2360	TIN	44.25/1.742	44.75/1.762	
40	46114-2400	TIN	46.79/1.842	47.29/1.862	

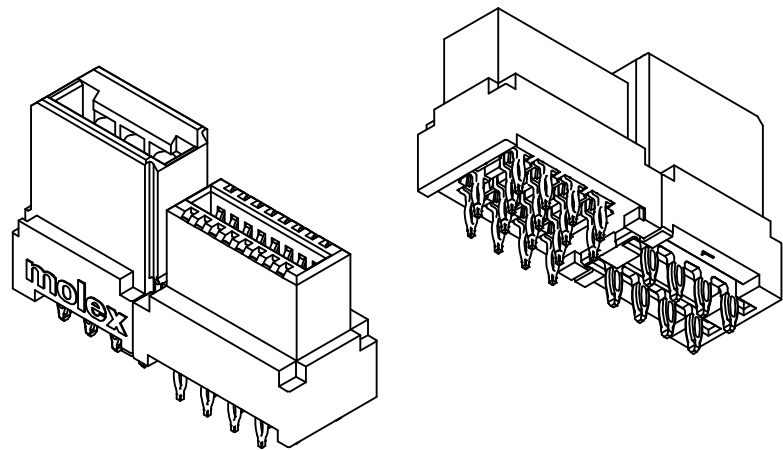
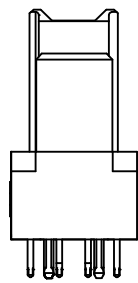
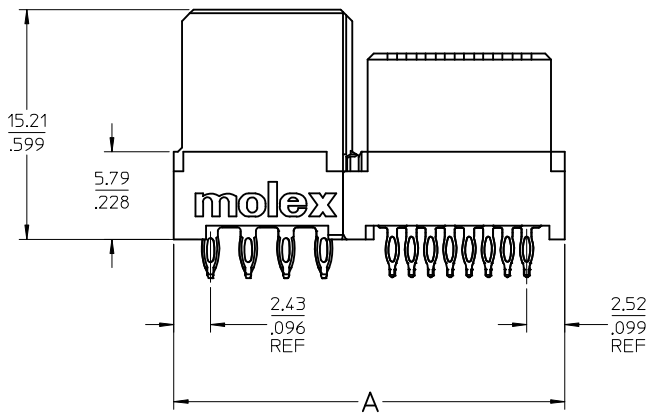
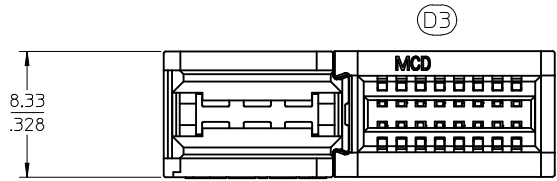
- NOTES:
- MATERIAL: HOUSING: LCP, 94-V0, COLOR: BLACK. POWER CONTACTS: COPPER ALLOY. SIGNAL CONTACTS: MODIFIED TIN BRASS.
 - FINISH: SELECT GOLD - 0.75 μ M/30 μ INCHES. SELECTED TIN - 2.50 μ M/100 μ INCHES. BOTH OVER NICKEL - 1.25 μ M/50 μ INCHES.
 - POWER TERMINALS ARE LUBRICATED IN CONTACT AREA.
 - PARTS ARE RoHS COMPLIANT.
 - MATES TO MOLEX P/N 45985-SERIES OR CARD EDGE 157/.062.
 - PRODUCT SPECIFICATION PS-46114-001.
 - PACKAGING: PER PK-46114-003.



MATERIAL # 46114-2160 SHOWN

PCB COMPONENT SIDE

UPDATE LOGO EC NO: S2016-1044 DRWNLIN06 2016/05/18 CHKD:JZENG 2016/06/03 APPR:KHLIM 2016/06/10 REV: D3	QUALITY SYMBOLS	GENERAL TOLERANCES (UNLESS SPECIFIED)	DIMENSION STYLE MM/IN	SCALE 2:1	DESIGN UNITS METRIC	THIRD ANGLE PROJECTION															
		<table border="1"> <tr> <th></th> <th>mm</th> <th>INCH</th> </tr> <tr> <td>4 PLACES ±</td> <td>---</td> <td>---</td> </tr> <tr> <td>3 PLACES ±</td> <td>---</td> <td>±.010</td> </tr> <tr> <td>2 PLACES ±</td> <td>0.25</td> <td>---</td> </tr> <tr> <td>1 PLACE ±</td> <td>---</td> <td>---</td> </tr> </table> ANGULAR ±1/2°		mm	INCH	4 PLACES ±	---	---	3 PLACES ±	---	±.010	2 PLACES ±	0.25	---	1 PLACE ±	---	---	DRAWN BY MKARADIMAS	DATE 07/23/07	TITLE LPH VERTICAL RECEPTACLE ASSEMBLY 2 CIRCUIT PWR CONNECTOR, PRESS FIT	
		mm	INCH																		
	4 PLACES ±	---	---																		
3 PLACES ±	---	±.010																			
2 PLACES ±	0.25	---																			
1 PLACE ±	---	---																			
	DRAFT WHERE APPLICABLE MUST REMAIN WITHIN DIMENSIONS	APPROVED BY JCOMERC I	DATE 2009/12/03	MATERIAL NO. SEE CHART	DOCUMENT NO. SD-46114-200	SHEET NO. 1 OF 3															
			SIZE C	THIS DRAWING CONTAINS INFORMATION THAT IS PROPRIETARY TO MOLEX INCORPORATED AND SHOULD NOT BE USED WITHOUT WRITTEN PERMISSION																	

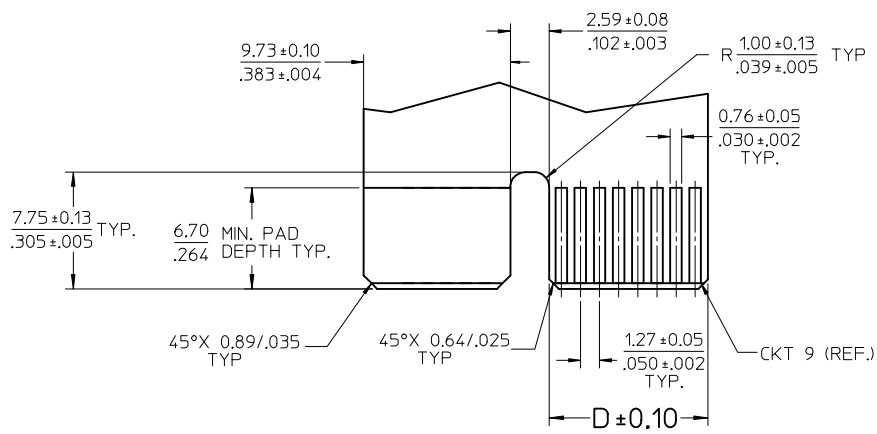
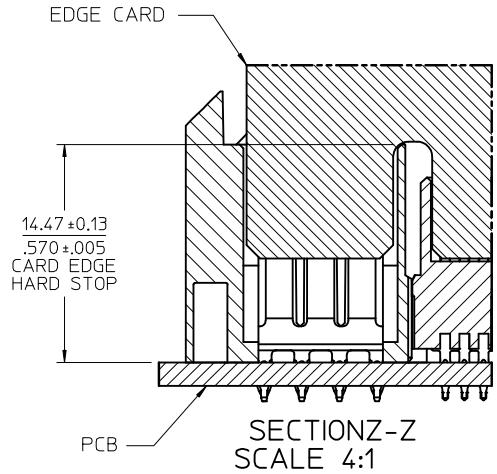
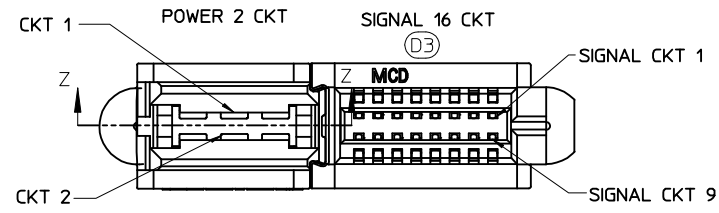


MATERIAL # 46114-2161 SHOWN

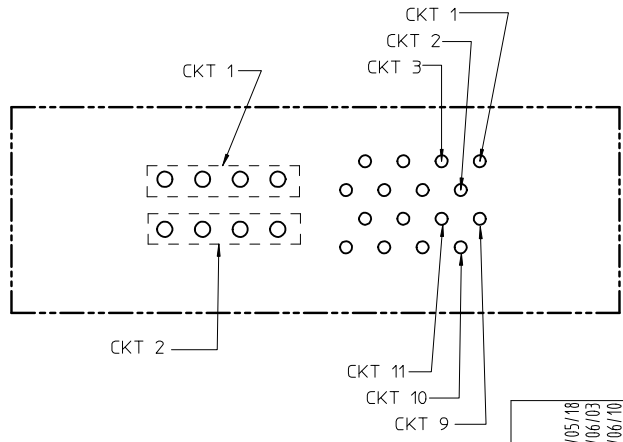
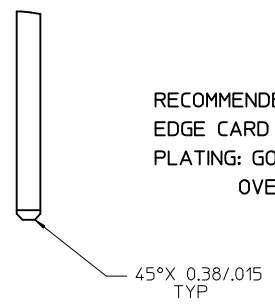
NO OF SIGNALS	MATERIAL NUMBER	COMPLIANT PIN PLATING	DIM A	DIM B	DIM C
12	46114-2121	TIN	23.34/.919	23.88/.940	2.69/.106
16	46114-2161	TIN	25.88/1.019	26.42/1.040	
20	46114-2201	TIN	28.42/1.119	28.96/1.140	
24	46114-2241	TIN	30.96/1.219	31.50/1.240	
28	46114-2281	TIN	33.50/1.319	34.04/1.340	
32	46114-2321	TIN	36.04/1.419	36.58/1.440	
36	46114-2361	TIN	38.58/1.519	39.12/1.540	
40	46114-2401	TIN	41.12/1.619	41.66/1.640	

UPDATE LOGO EC NO: S2016-10044 DRW: NALIN06 CHKD: JZENG APPR: KHLIM 2016/05/18 2016/06/03 2016/06/10	DESCRIPTION D3	QUALITY SYMBOLS	GENERAL TOLERANCES (UNLESS SPECIFIED)	DIMENSION STYLE MM/IN	SCALE 2:1	DESIGN UNITS METRIC	THIRD ANGLE PROJECTION	
			4 PLACES ± --- ± --- 3 PLACES ± --- ± .010 2 PLACES ± 0.25 ± --- 1 PLACE ± --- ± ---	DRAWN BY: MKARADIMAS CHECKED BY: APATEL APPROVED BY: JCOMERCI	DATE: 07/23/07 DATE: 07/25/07 DATE: 2009/12/03	TITLE LPH VERTICAL RECEPTACLE ASSEMBLY 2 CIRCUIT PWR CONNECTOR, PRESS FIT		
			ANGULAR ±1/2°	MATERIAL NO. SEE CHART	MOLEX INCORPORATED MOLEX INCORPORATED		DOCUMENT NO. SD-46114-200	SHEET NO. 2 3
		DRAFT WHERE APPLICABLE MUST REMAIN WITHIN DIMENSIONS			THIS DRAWING CONTAINS INFORMATION THAT IS PROPRIETARY TO MOLEX INCORPORATED AND SHOULD NOT BE USED WITHOUT WRITTEN PERMISSION			

NO OF SIGNAL	DIM. D
12	8.00/.315
16	10.54/.415
20	13.08/.515
24	15.62/.615
28	18.16/.715
32	20.70/.815
36	23.24/.915
40	25.78/1.015



RECOMMENDED EDGE CARD LAYOUT
 EDGE CARD THICKNESS: 1.57/.062 ± 0.15/.006
 PLATING: GOLD 30 μ INCHES MIN.
 OVER 150 μ INCHES NICKEL.



PCB LAYOUT: COMPONENT SIDE
 SEE SHT 1 FOR DIMENSIONS.

UPDATE LOGO IEC NO: S202014044 2016/05/18 DRWN:ALIN06 2016/06/03 CHKD:JZENG APPR:KHLIM 2016/06/10	DESCRIPTION LPH VERTICAL RECEPTACLE ASSEMBLY 2 CIRCUIT PWR CONNECTOR, PRESS FIT	GENERAL TOLERANCES (UNLESS SPECIFIED)		DIMENSION STYLE MM/IN		SCALE 4:1	DESIGN UNITS METRIC	THIRD ANGLE PROJECTION	
		mm	INCH	DRAWN BY MKARADIMAS	DATE 07/23/07	TITLE LPH VERTICAL RECEPTACLE ASSEMBLY 2 CIRCUIT PWR CONNECTOR, PRESS FIT			
		4 PLACES ± ---	± ---	CHECKED BY APATEL	DATE 07/25/07	APPROVED BY JCOMERC I			
		3 PLACES ± ---	± .010	DATE 2009/12/03	MATERIAL NO. SD-46114-200				
2 PLACES ± 0.25	± ---	ANGULAR ± 1/2°		SEE CHART		DOCUMENT NO.		SHEET NO. 3 OF 3	
1 PLACE ± ---	± ---	DRAFT WHERE APPLICABLE MUST REMAIN WITHIN DIMENSIONS		THIS DRAWING CONTAINS INFORMATION THAT IS PROPRIETARY TO MOLEX INCORPORATED AND SHOULD NOT BE USED WITHOUT WRITTEN PERMISSION					