

Ratings
 Voltage: 60 V
 Current: 1 A
 Waterproof: IP 67

Operating Temperature Range
 -40 ~ 105°C

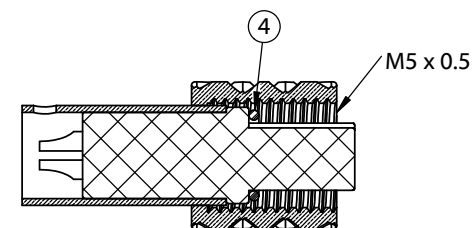
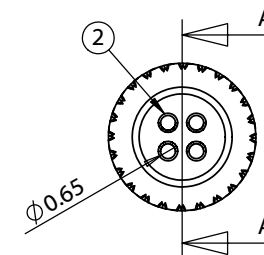
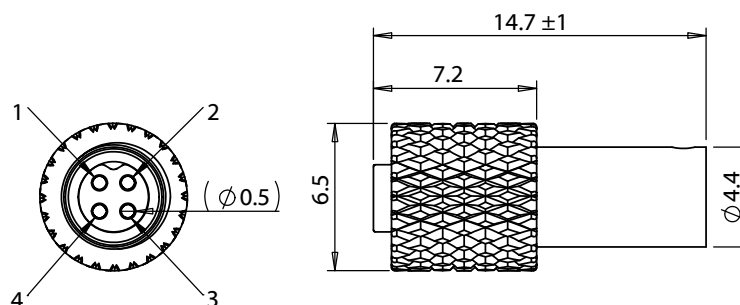
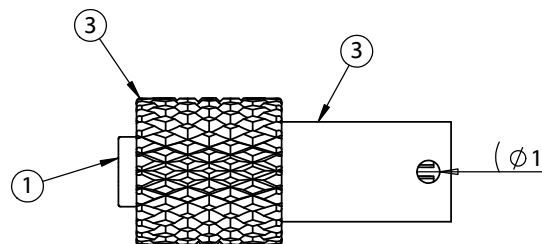
Materials
 ① Insulator: Nylon 66 + 30% glass fiber, black
 ② Pin: brass, gold-flashing
 ③ Shell: brass, nickel plated
 ④ O-ring: nitrile rubber

Electrical Requirements
 Dielectric strength: 1 min @ 500 Vac
 Insulation resistance: 10⁸ Ω min
 Contact resistance: 10 mΩ or less

Mechanical Requirements
 Insertion force: 0.82 kgf max
 Withdrawal force: 0.62 kgf max
 Life cycle: 500 mating cycles

Environmental Requirements
 Cold test: -25 °C for 2 hours without deformation
 Heat test: 85 °C for 16 hours while maintaining minimum 10⁸ Ω insulation resistance

Assembly info
 Wire gauge: 26 AWG max (Ø0.5 mm)



SECTION A-A

Revision:	Date:	Description:	Prepared:	Notes:	<h1>TENSILITY</h1> tel 1.541.323.3228 800 877.670.7118 fax 1.541.323.4202 web tensility.com
A	1/11/21	Initial release	AG <small>Digitally signed by AG Date: 2021.11.16 09:58:17 -08'00'</small>	RoHS compliant	
			Verified:	Function test: no open, no short circuit, no intermittent	Size: Part number: A 50-00673
			JD <small>Digitally signed by JD Date: 2021.11.16 11:49:49 -08'00'</small>	Description:	
			Dimensions are in millimeters. Tolerances: X: ± 0.5 mm X.X: ± 0.3 mm X.XX: ± 0.1 mm	Connector, 4 pin M5 socket, 5xL14.7mm, gold plated, molding style, solder cup, IP67, shielded	Scale: 3:1 Sheet 1 of 1