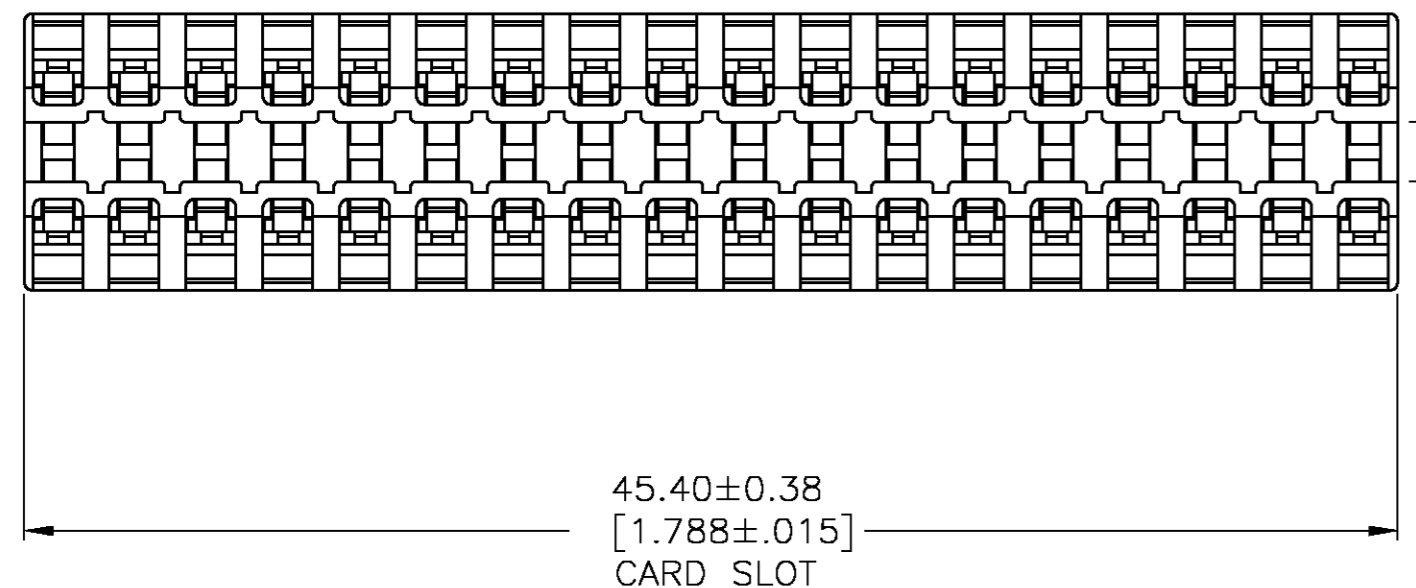
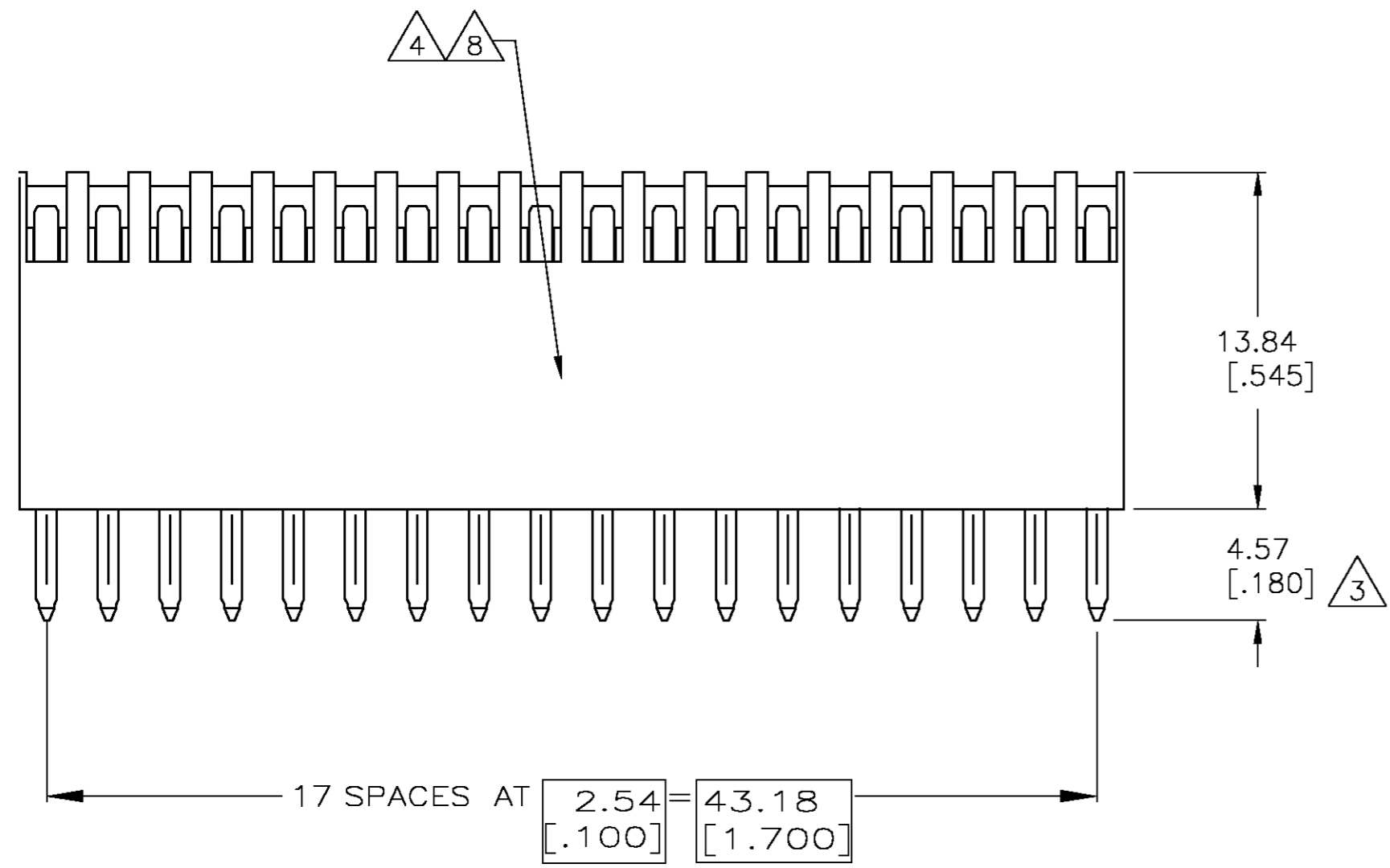


THIS DRAWING IS UNPUBLISHED. RELEASED FOR PUBLICATION
 © COPYRIGHT BY TYCO ELECTRONICS CORPORATION. ALL RIGHTS RESERVED.

LOC		DIST		REVISIONS			
AD	00	P	LTR	DESCRIPTION	DATE	DWN	APVD
		0		REV PER EC 0G3C-0019-04	17FEB04	MB	MM

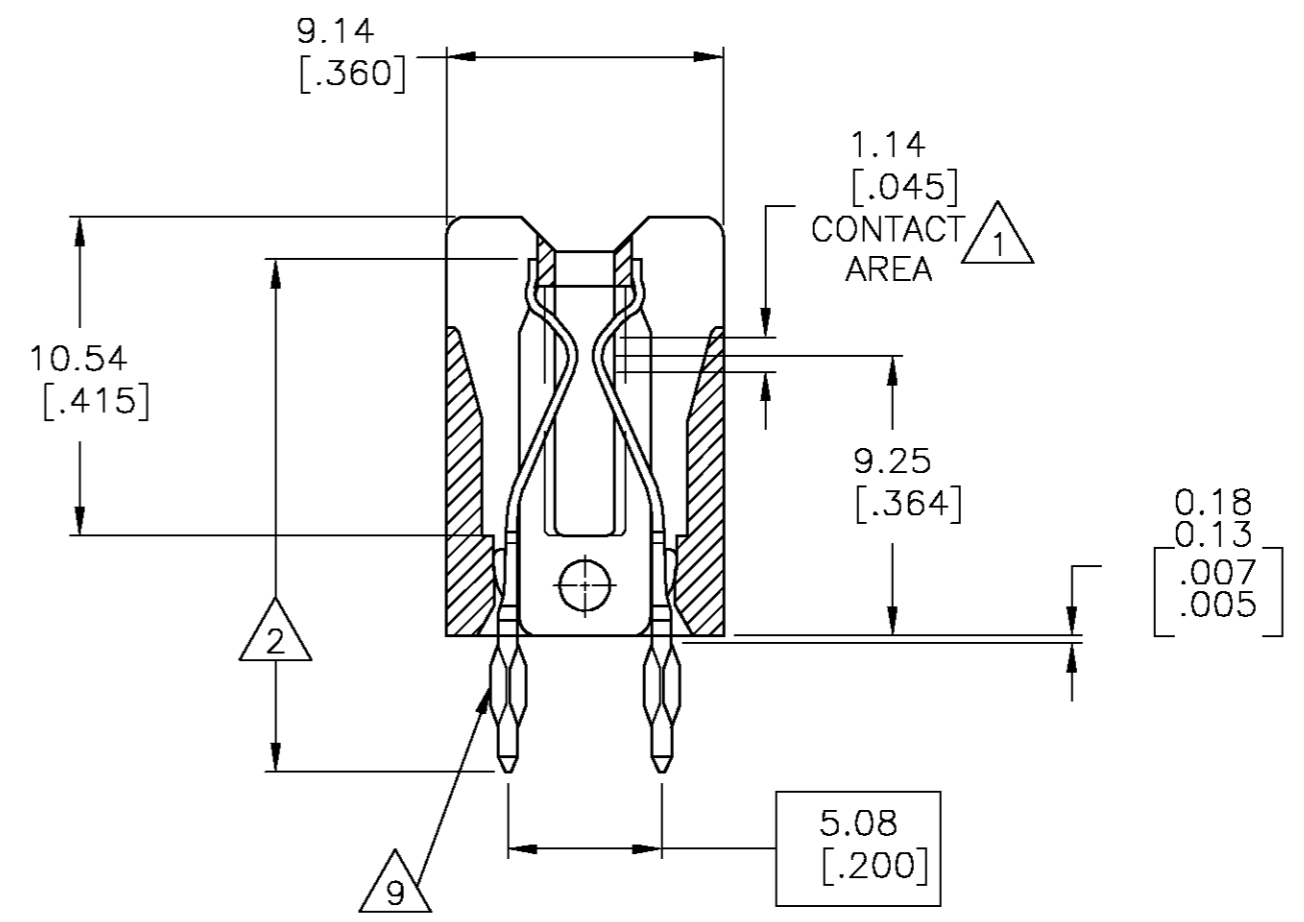


CARD SLOT ACCEPTS
 1.80
 1.37
 [.071]
 .054
 PC BOARD



- ① GOLD PLATE .00076 [.000030] MIN THICK.
- ② NICKEL PL .00127 [.000050] MIN THK PER QQ-N-290
- ③ SOLDER PL .00254 [.000100] MIN THK
- ④ STAMPED P/N & DATE CODE.
- 5. OPTIONAL: KEYING PLUG FOR INTERCONTACT KEYING IS 118982-1
- 6. OPTIONAL: CARD GUIDE (BASE NO 117169)
- ALL PARTS ASSEMBLED IN MEXICO MUST BE STAMPED "ASSY IN MEXICO". THE
- ⑦ HOUSING: VALOX 420 SEC BLACK
CONTACT: PHOSPHOR BRONZE
- ⑧ WORD "MEXICO" CAN BE SUBSTITUTED ONLY WHERE PART SIZE PROHIBITS STAMPING "ASSY IN MEXICO", INK PER 115-9009, APPROX WHERE SHOWN, SIDE OPTIONAL.
- ⑨ ACTION PIN REQUIRES 2.13 [.084] MIN THK PC BOARD.

REQUIRED HOLE DIAMETER TOLERANCES FOR COMPLIANT SECTION							
REQ'D DRILL SIZE	HOLE DIA ±.03 [.001]	PLATING THICKNESS		HOLE DIAMETER		COPPER HARDNESS (KNOOP)	PAD DIA MIN
		COPPER	TIN/LEAD	AFTER PLATING	AFTER REFLOW		
1.15mm	1.15 [.0453]	0.03-0.08 [.001-.003]	0.008 MIN [.0003] MIN	0.94-1.09 [.037-.043]	0.914-1.09 [.0036-.043]	150 MAX	1.57 [.062]
1.15mm	1.15 [.0453]	NOT PLATED THRU					1.65 [.065]



17	678050-1
POSN	PART NUMBER

THIS DRAWING IS A CONTROLLED DOCUMENT.		DWN	M.BINNER	17FEB04	 Tyco Electronics Corporation Harrisburg, Pa 17105-3608
DIMENSIONS: mm [INCHES]		CHK	M.MILLER	17FEB04	
TOLERANCES UNLESS OTHERWISE SPECIFIED:		APVD	M.MILLER	17FEB04	
0 PLC ± - 1 PLC ± - 2 PLC ± .02 3 PLC ± .005 4 PLC ± .0005 ANGLES ± - FINISH		PRODUCT SPEC			
MATERIAL	⑦	WEIGHT	-		NAME
					ASSEMBLY, AMP PACE, .100 x .200 CL, 0-0, 18 DUAL
					SIZE
					A2
					CAGE CODE
					00779
					DRAWING NO
					C=678050
					RESTRICTED TO
					-
					SCALE
					4:1
					SHEET
					1 OF 1
					REV
					0