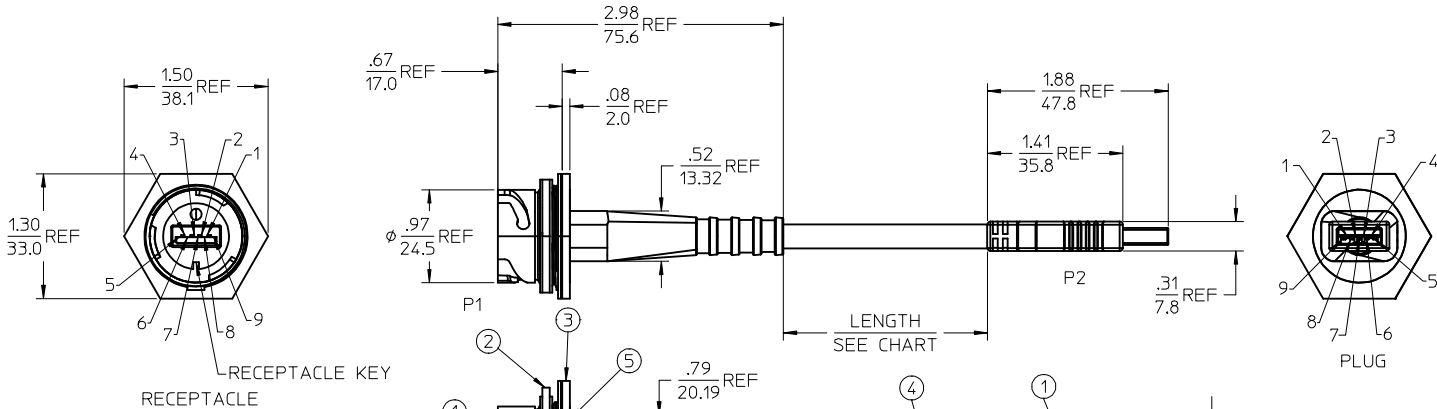
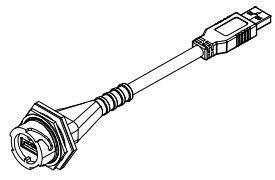


MATERIAL NO.	LENGTH
847330003	6.00 IN +.47 -0 ( 152.0mm +12mm-0 )
847330004	31.88 IN +1.00-0 ( 810.0mm +25.4mm-0 )
847330005	51.57 IN +1.00-0 ( 1310.0mm +25.4mm-0 )
847330006	81.89 IN +1.57-0 ( 2080.0mm +40.0mm-0 )
847330007	131.10 IN +3.15-0 ( 3330.0mm +80.0mm-0 )
847330008	196.90 IN +3.94-0 ( 5000mm +100mm-0 )
847330009	118.11 IN +3.15 -0 ( 3000mm +80.mm-0 )
847330011	3.00 IN +.47 -0 ( 76.2mm +12mm-0 )
847330020	12.00 IN +1.0 -0 ( 304.8mm +25.4mm-0 )



Ⓔ

NOTES:  
 1. MATERIAL: SEE TABLE  
 2. FINISHES: SEE TABLE  
 3. CABLES:

A) CABLE FOR ASSEMBLIES ≤0.8M (800mm) LG,  
 OUTER JACKET: PVC, φ5.50±0.3, BLACK  
 (2) 28AWG SHIELDED TWISTED PAIRS WITH ALUMINUM/MYLAR SHIELD WITH STRANDED TINNED COPPER DRAIN WIRE  
 (1) 28AWG SHIELDED TWISTED PAIR WITH ALUMINUM SHIELD,  
 (2) 28AWG INSULATED CONDUCTORS, STRANDED, TINNED COPPER  
 CABLE SHIELD: BRAIDED TINNED COPPER WIRE  
 CABLE: UL2725 FILE: E164571

B) CABLE FOR ASSEMBLIES >0.8M(800mm) LG,  
 OUTER JACKET: PVC, φ6.50±0.3, BLACK  
 (2) 26AWG SHIELDED TWISTED PAIRS WITH ALUMINUM/MYLAR SHIELD WITH STRANDED TINNED COPPER DRAIN WIRE  
 (1) 28AWG SHIELDED TWISTED PAIR WITH ALUMINUM/MYLAR SHIELD  
 (2) 22AWG CONDUCTORS STRANDED TINNED COPPER  
 CABLE SHIELD: BRAIDED TINNED COPPER WIRE  
 CABLE: UL2725 FILE: E164571

- CABLE TEMPERATURE: 80°C, VOLTAGE: 30V & FLAME RATING: VW-1 RATING
- CABLE LENGTHS GREATER THAN USB3.0 SPECIFICATION SHALL BE END USER QUALIFIED IN APPLICATION.
- CONNECTOR MEETS USB3.0 SPECIFICATION
- CONNECTOR TESTED FOR CONTINUITY
- TYPE A CONNECTOR:  
 SHELL: PHOSPHOR BRONZE, Ni PLATED  
 CONTACTS: PHOSPHOR BRONZE, GOLD PLATED 30μMCHES MIN. OVER NICKEL
- RECEPTACLE MATES WITH MOLEX USB3.0 CABLE PLUG SERIES 84734
- RECEPTACLE CONNECTOR MATES WITH MOLEX DUST CAP 847000003
- RECEPTACLE CONNECTOR IS RATED IP67 WHEN MATED TO MOLEX DUST CAP OR MOLEX MATING CONNECTOR
- ASSEMBLY IS RoHS COMPLIANT

PIN OUT	
P1	P2
1 RED	VBUS
2 WHITE	D-
3 GREEN	D+
4 BLACK	GND
5 BLUE	StdA_SSRX-
6 YELLOW	StdA_SSRX+
7 DRAIN WIRE	
8 PURPLE	Std_SSTX-
9 ORANGE	Std_SSTX+
SHELL	BRAID
SHELL	SHELL

PANEL CUTOUT  
 .10/2.5 MAX PANEL THICKNESS

ITEM	QTY.	DESCRIPTION	MATERIAL	FINISH
6	1	PRODUCT LABEL	VINYL	YELLOW
5	A/R	POTTING COMPOUND	EPOXY	BLACK
4	1	USB3.0 TYPE-A TO TYPE-A CABLE, SHIELDED	AS NOTED	BLACK
3	1	PANEL GASKET	NEOPRENE	BLACK
2	1	LOCKNUT	PBT, UL-94V-0	BLACK
1	1	RECEPTACLE HOUSING TO PLUG OVERMOLD	PBT/PVC	BLACK

REV. NOTES	QUALITY SYMBOLS
EC NO: IPG2015-0592	▽=0
DRWING:GUSTAFSON 2014/12/15	▽=0
CHKD:BRUPERT 2015/01/30	
APPR:WOODMAN 2015/05/12	

GENERAL TOLERANCES (UNLESS SPECIFIED)	
mm	INCH
4 PLACES ± .005	± .0005
3 PLACES ± .005	± .0005
2 PLACES ± 0.13	± .010
1 PLACE ± 0.25	± .020
0 PLACE ± .005	± .0005
ANGULAR ± .5 °	
DRAFT WHERE APPLICABLE MUST REMAIN WITHIN DIMENSIONS	

DIMENSION STYLE	
IN/MM	
DRAWN BY	DATE
BRUPERT	2013/01/16
CHECKED BY	DATE
APPROVED BY	DATE
BWOODMAN	2013/08/26
MATERIAL NO.	
SEE CHART	
SIZE	
C	

SCALE	DESIGN UNITS	THIRD ANGLE PROJECTION
N/T S	INCH	⊙
TITLE		
USB3.0 TYPE-A RECEPT TO USB3.0 TYPE-A PLUG		
<b>molex</b>		
DOCUMENT NO.	SHEET NO.	
SD-84733-001	1 OF 1	
THIS DRAWING CONTAINS INFORMATION THAT IS PROPRIETARY TO MOLEX INCORPORATED AND SHOULD NOT BE USED WITHOUT WRITTEN PERMISSION		