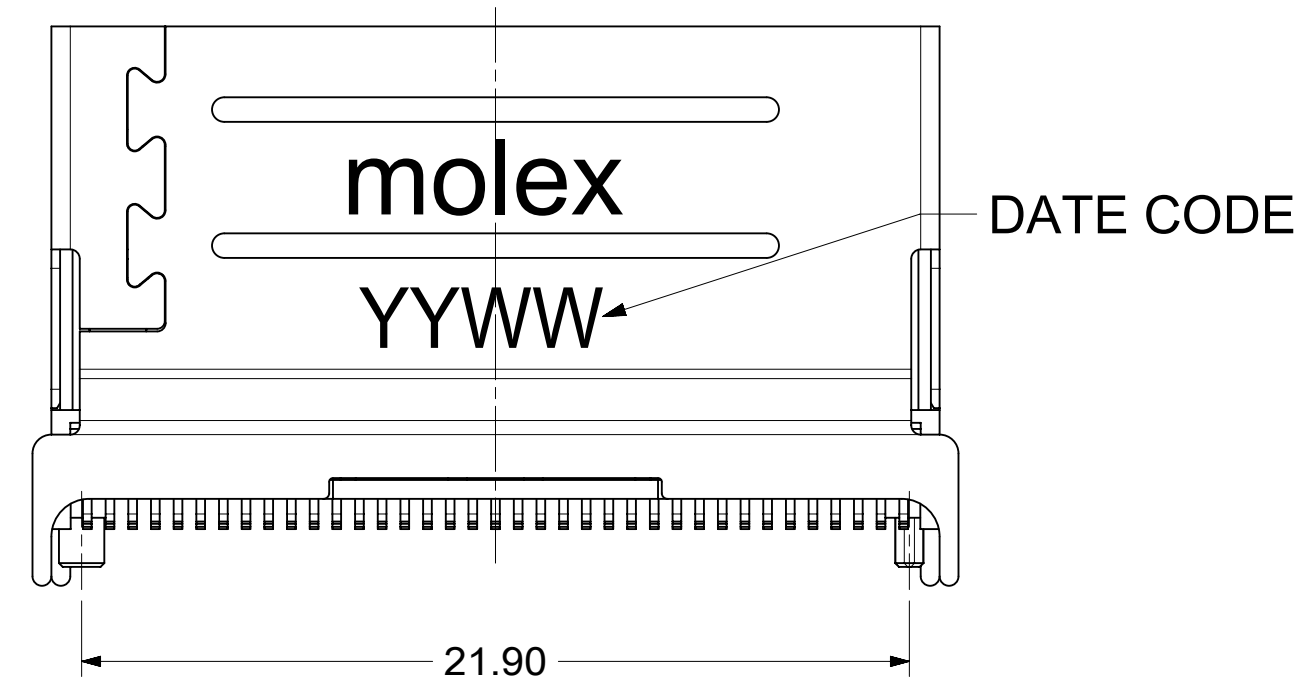
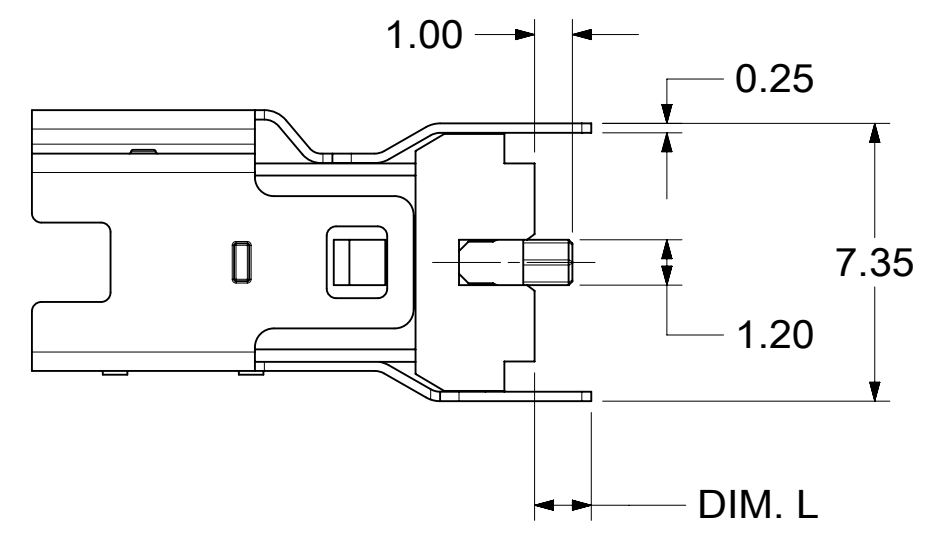
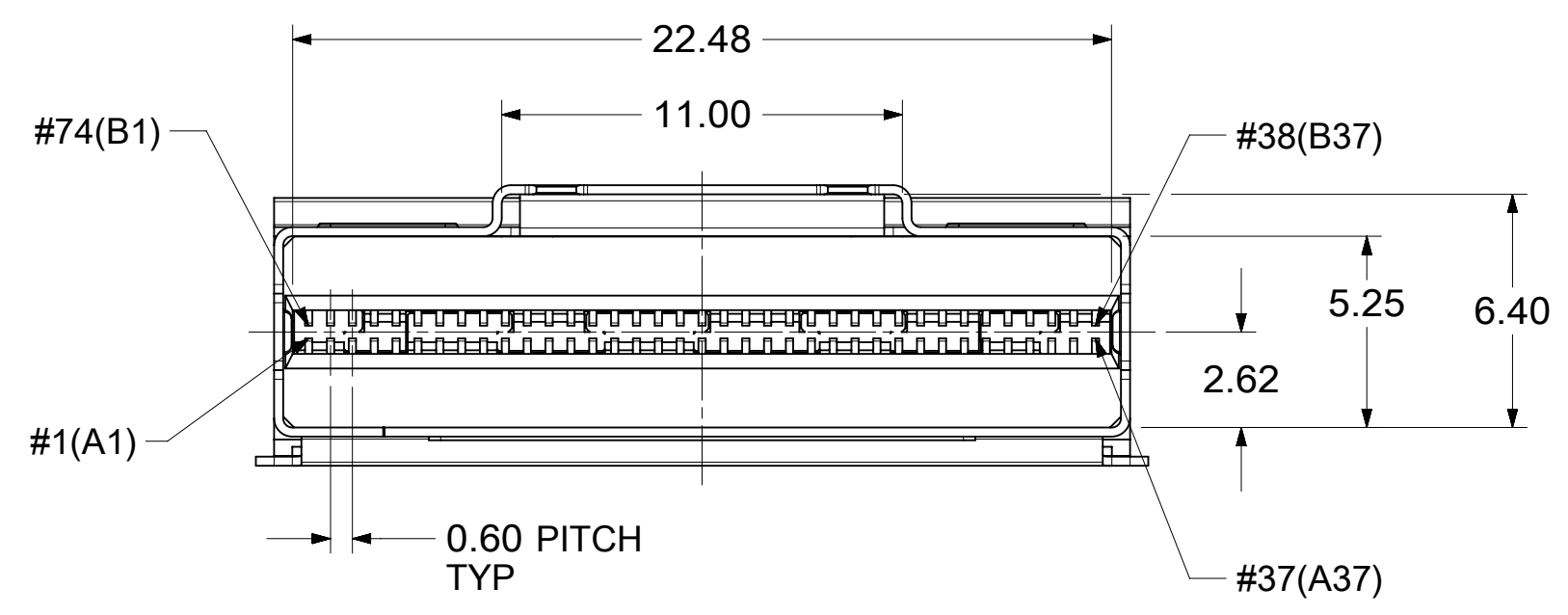
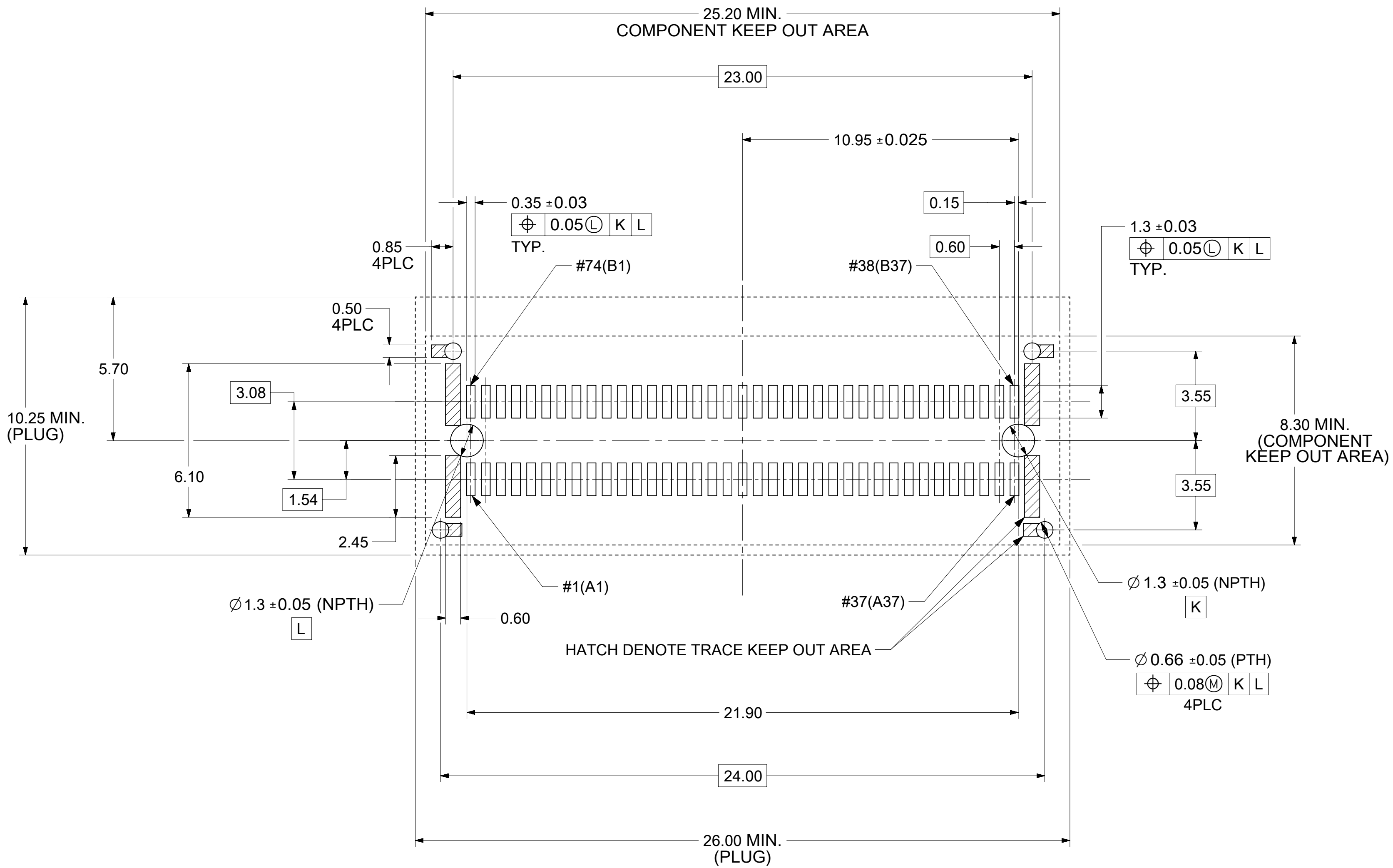


NOTE:
 1. MATERIAL:
 HOUSING : LCP, UL94-V0, BLACK COLOR
 INSERT MOLD: LCP, UL94-V0, BLACK COLOR
 CONTACT: COPPER ALLOY
 GROUND: COPPER ALLOY
 SHELL: NICKEL SILVER
 2. FINISH:
 CONTACT:
 GOLD PLATING (SEE TABLE) ON CONTACT AREA
 100u" MIN. MATTE TIN PLATING ON SOLDER TAIL
 50u" MIN. NICKEL UNDER PLATING OVERALL
 GROUND:
 50u" MIN. NICKEL PLATING OVERALL
 3. SOLDER TAILS COPLANARITY TO BE 0.1 MAXIMUM.
 4. ROHS COMPLIANT



0.375um[15u"]	4.2	2119663008
	3.0	2119663007
	2.2	2119663006
0.75um[30u"]	1.5	2119663005
	4.2	2119663004
	3.0	2119663003
	2.2	2119663002
	1.5	2119663001
GOLD PLATING	DIM. L	PART NUMBER

FUNCTIONAL SYMBOLS FA = 0 FC = 0 FP = 0	THIS DRAWING CONTAINS INFORMATION THAT IS PROPRIETARY TO MOLEX ELECTRONIC TECHNOLOGIES, LLC AND SHOULD NOT BE USED WITHOUT WRITTEN PERMISSION		CURRENT REV DESC:		molex			
	DIMENSION UNITS	SCALE	EC NO: 690306					
	mm	5:1	DRWN: ETSENG 2021/12/27					
	GENERAL TOLERANCES (UNLESS SPECIFIED)		CHK'D: ETSENG 2021/12/30					
DIVISIONAL SYMBOLS	ANGULAR TOL	± °	APPR: VPENG01 2021/12/30					
	4 PLACES	±	INITIAL REVISION:					
	3 PLACES	± 0.15	DRWN: SHOU 2019/11/18					
	2 PLACES	± 0.25	APPR: ETSENG 2020/02/17					
1 PLACE	±	DRAFT WHERE APPLICABLE MUST REMAIN WITHIN DIMENSIONS						
0 PLACES	±	THIRD ANGLE PROJECTION	DRAWING	SERIES	DOCUMENT NUMBER	DOC TYPE	DOC PART	REVISION
			C-SIZE	211966	2119663001	PSD	000	C
MATERIAL NUMBER		CUSTOMER		SHEET NUMBER				
SEE TABLE				1 OF 2				



RECOMMENDED PCB LAYOUT
TOLERANCE: ±0.05

FUNCTIONAL SYMBOLS $\nabla_A = 0$ $\nabla_C = 0$ $\nabla_P = 0$ DIVISIONAL SYMBOLS 4 PLACES ± 3 PLACES ± 0.15 2 PLACES ± 0.25 1 PLACE ± 0 PLACES ±	THIS DRAWING CONTAINS INFORMATION THAT IS PROPRIETARY TO MOLEX ELECTRONIC TECHNOLOGIES, LLC AND SHOULD NOT BE USED WITHOUT WRITTEN PERMISSION		CURRENT REV DESC:					
	DIMENSION UNITS	SCALE	EC NO: 690306					
	mm	10:1	DRWN: ETSENG 2021/12/27					
	GENERAL TOLERANCES (UNLESS SPECIFIED)		CHK'D: ETSENG 2021/12/30					
ANGULAR TOL ± °		APPR: VPENG01 2021/12/30		PRODUCT CUSTOMER DRAWING				
DRAFT WHERE APPLICABLE MUST REMAIN WITHIN DIMENSIONS		THIRD ANGLE PROJECTION	DRAWING	SERIES	DOCUMENT NUMBER	DOC TYPE	DOC PART	REVISION
			C-SIZE	211966	2119663001	PSD	000	C
		MATERIAL NUMBER		CUSTOMER	SHEET NUMBER			
		SEE TABLE			2 OF 2			