

6

5

4

3

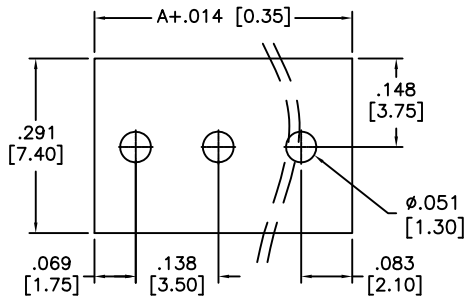
2

1

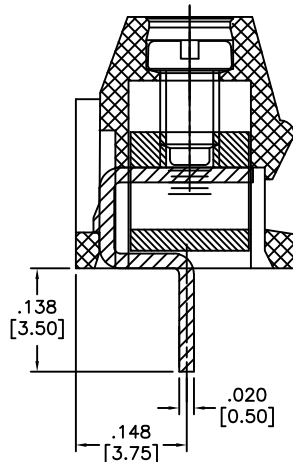
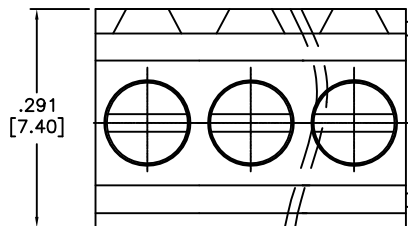
APPROVED: _____

DATE: _____ TITLE: _____

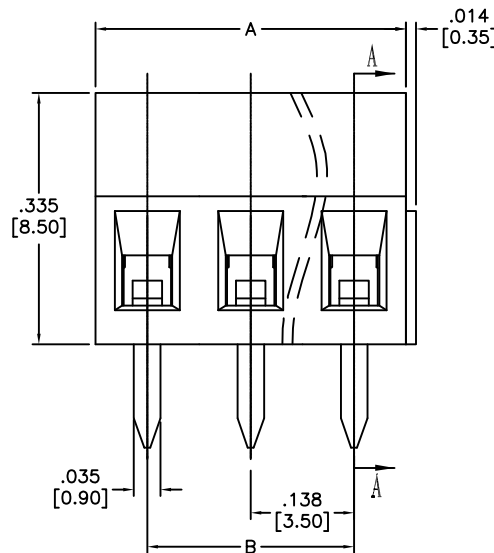
Rev	AWO #	Description	Date	Appr
-		RELEASED	6/27/13	
A		UPDATE SHAPE	10/27/14	AY/NP



RECOMMENDED PCB LAYOUT



SECTION A-A



SPECIFICATIONS:

Material:

Insulator: PA66, rated UL 94V-0

Insulator color: Green

Contact: Brass, Tin plated

Screw: Steel, M2/Zinc plated

Cage: Brass, Nickel plated

Electrical:

Voltage rated: 300 V

Current rated: 10 A

Contact resistance: 20 mΩ

Insulation resistance: 500 MΩ/ 500VDC

Withstanding voltage: 2000 VAC for 1 minute

Mechanical:

Torque: 0.2Nm (1.8 lb.in)

Wire Range: 28-16Awg 1.0mm²

Environmental:

Temperature range: -40°C to +105°C

Lead free, RoHS compliant.



Positions: 02 thru 24

A = .138 [3.50] x No. of Positions

B = .138 [3.50] x No. of Spaces

UNLESS OTHERWISE SPECIFIED
ALL DIMENSIONS ARE MM [INCHES]
TOLERANCES: EXCEPT AS NOTED

INCHES		HOLES	
.X	± .10	∅X	± .10
.XX	± .020	∅XX	± .015
.XXX	± .015	∅XXX	± .010

ADAM TECH

909 Rahway Avenue, Union, NJ 07083
Phone: 908-687-5000 Fax: 908-687-5710

TITLE
**TERMINAL BLOCK, PCB, VERTICAL,
.138" [3.50] PITCH**

APPROVALS		DATE
DRAWN	AY	6/27/13
CHECKED	NP	6/27/13
APPROVED		

SIZE	PART NO.	REV.
X	EBWA-XX-A	A
REF: S00067C	SCALE: NTS	SHEET 1 OF 1

6

5

4

3

2

1