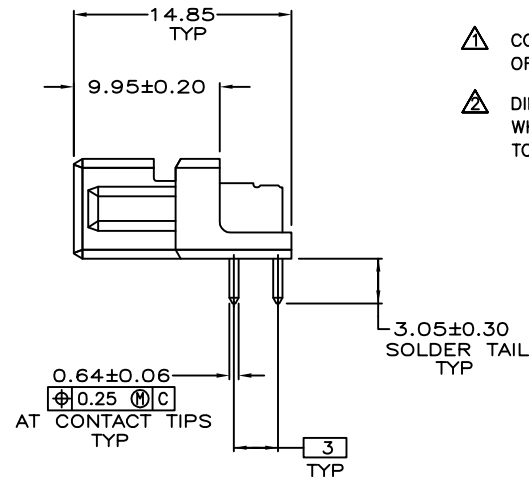
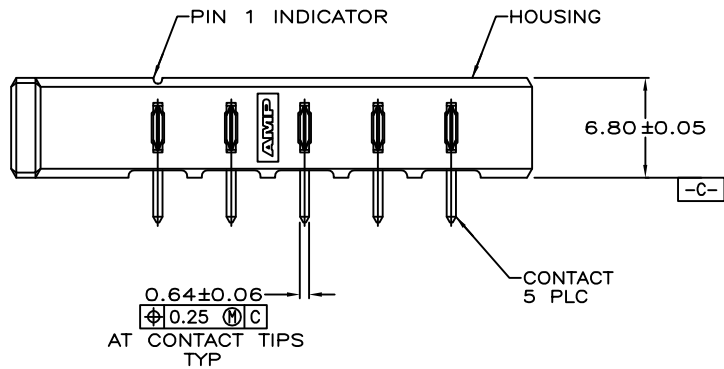
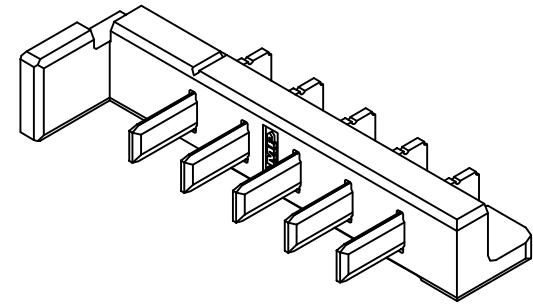
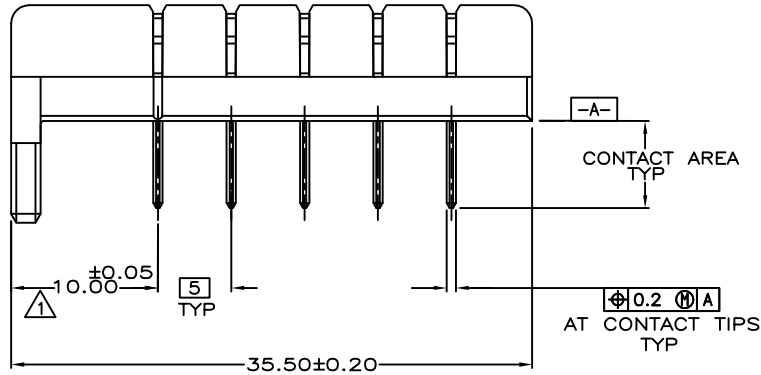
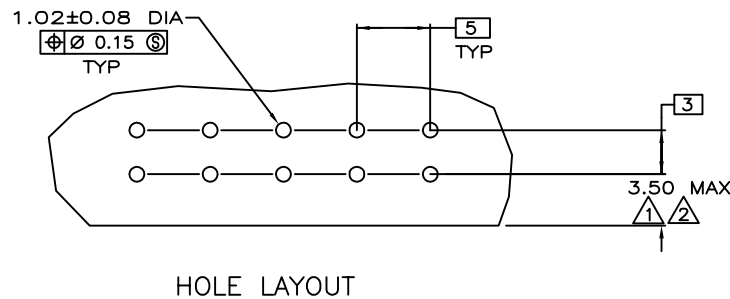


LOC	DIST	P	F	ZONE	LTR	DESCRIPTION	DATE	APPD
AD	39					0 RELEASED -1 PER NPR 5167	08/24/94	RSK
						A REV PER EC 0020-1339-94	12/08/94	RK
						B REV PER EC 0020-0657-96	12/08/98	RK
						B1 REVISED PER ECR-14-009533	04/07/14	JHA



△ COORDINATE DIMENSION APPLIES FROM CENTER OF ACTUAL FEATURE.

△ DIMENSION CAN BE EXCEEDED FOR APPLICATIONS WHERE FINAL MATED POSITION OF PACK IS ABOVE TOP SURFACE OF PCB.



SUPERCEDED BY 5787428-1 787259-1

DO NOT SCALE PRINT. UNLESS SPECIFIED DIMENSIONS IN mm TOLERANCES ON : 2 PLC DEC ±0.10 3 PLC DEC ± - ANGLES ± -		DR 08-24-94 D.HARDY		PART NO	
MATERIAL HOUSING: LCP COLOR: BLACK CONTACTS: BRASS		CHK 08-25-94 R.STONE		TE Connectivity	
FINISH CONTACTS: 2.54µm MIN TIN-LEAD ON SOLDER TAIL OVER 1.90µm MIN NICKEL ALL OVER		APPD 08-30-94 R.S.KLINE		NAME	
APPLICATION SPEC -		APPD 08-30-94 R.S.KLINE		HEADER ASSEMBLY, RIGHT ANGLE, 5mm CENTERLINE, 5 POSN, 10.8V, BATTERY INTERCONNECT	
WEIGHT -		PRODUCT SPEC 108-1501		SIZE	
		APPLICATION SPEC -		CAGE CODE	
		SIZE		DRAWING NO	
		SCALE 4:1		00779 C= 787259	
		SHEET		10F 1	

THIS DRAWING IS A CONTROLLED DOCUMENT FOR AMP INCORPORATED. IT IS SUBJECT TO CHANGE AND THE CONTROLLING ENGINEERING ORGANIZATION SHOULD BE CONTACTED FOR THE LATEST REVISION.