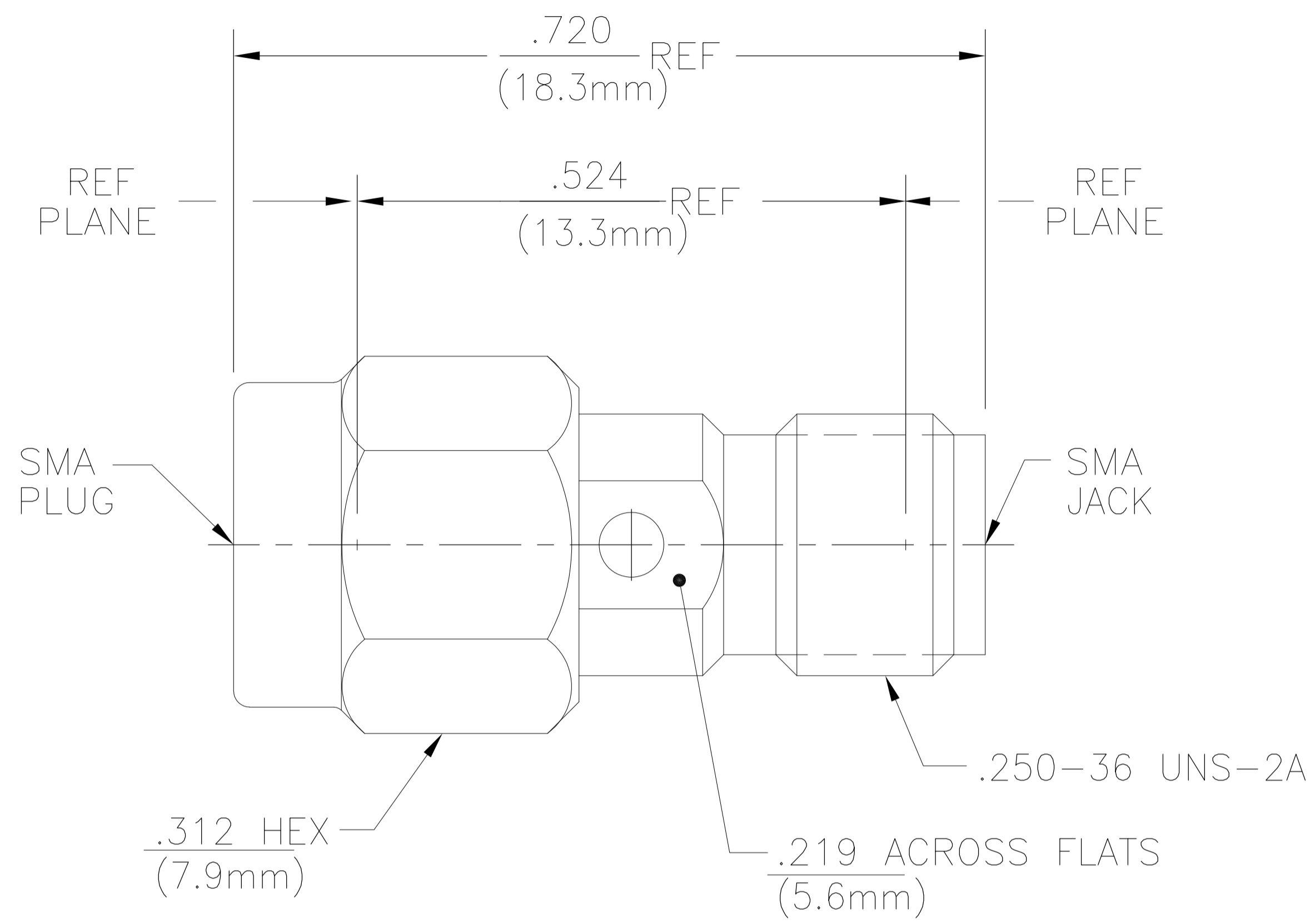


THIS DRAWING IS A CONTROLLED DOCUMENT. 1054425-1



1054425-1  
PART NUMBER

ELECTRICAL	MECHANICAL	ENVIRONMENTAL
Nominal Impedance (Ohms) <u>50</u>	Interface Dimensions MIL-STD-348A Fig. 310.1 & 310.2	TEMPERATURE RATING <u>-65°C TO 125°C</u>
Frequency Range (GHz) DC to 18	Recommended Mating Torque <u>7-10 in-Lb</u>	Vibration MIL-STD-202, Method 204, Condition D
Volt Rating (VRMS MAX) @ Sea Level <u>335</u>	Mating Characteristics: Insertion (MAX Lbs) <u>3</u>	Shock MIL-STD-202, Method 213, Condition I
VSWR <u>1.05 + .005f(GHz)</u>	Withdrawal (MIN Oz) <u>1</u>	Thermal Shock MIL-STD-202, Method 107, Condition B, EXCEPT HIGH TEMP SHALL BE +155°C
Insertion Loss (dB MAX) <u>.03 √f(GHz)</u>	Force to Engage and Disengage (In-Lbs MAX) <u>2</u>	Moisture Resistance MIL-STD-202, Method 106
RF Leakage (dB MIN) <u>[-60-f(GHz)]</u>	Center Contact Captivation Axial (Lbs) <u>6</u>	Corrosion - MIL-STD-202, Method 101, Condition B, 5% salt spray
Corona, 70,000 Ft (VRMS MIN) <u>250</u>	Coupling Proof Torque (In-Lbs MIN) <u>15</u>	
Dielectric Withstanding Voltage (VRMS MIN) @ Sea Level <u>1500</u>	Coupling Mechanism Retention Force (Lbs MIN) <u>60</u>	
Contact Resistance (Milliohms MAX) Center Contact <u>4.0</u>	Weight (Grams) <u>TBD</u>	
Outer Contact <u>2.0</u>		
Cable to Housing <u>N/A</u>		
RF High Potential @ Sea Level (VRMS MIN @ 5 MHz) <u>670</u>		
I.R.(Megohms MIN) <u>5,000</u>		

COMPONENT	MATERIAL	FINISH
HOUSING	STAINLESS STEEL	GOLD PLATE PER OVER NICKEL PLATE
COUPLING NUT	PTFE	N/A
DIELECTRIC	PTFE	N/A
CENTER CONTACT	BERYLLIUM COPPER	GOLD PLATE .00005 IN MIN OVER NICKEL PLATE .00005 IN MIN OVER COPPER PLATE .00001 IN MIN
RETAINING RING	BERYLLIUM COPPER	N/A
GASKET	SILICONE RUBBER	N/A

DW	8/10/76	MATERIAL	-	HEAT TREAT	-
R.B.G	8/11/76	CHK	R.M.F		
APVD	8/27/76	RE			
NAME: SMA JACK TO PLUG ADAPTER (2082-9133-00)					
SCALE	SIZE	DRAWING NO	SHEET	OF	REV
10:1	A1	1054425-1	1	1	B

THIS INFORMATION IS CONFIDENTIAL AND PROPRIETARY TO TYCO ELECTRONICS CORPORATION AND ITS WORLDWIDE SUBSIDIARIES AND AFFILIATES. IT MAY NOT BE DISCLOSED TO ANY OTHER PARTY WITHOUT THE WRITTEN AUTHORIZATION OF TYCO ELECTRONICS CORPORATION, HARRISBURG, PENNSYLVANIA, USA.

LOC  
AJ  
DIST  
00