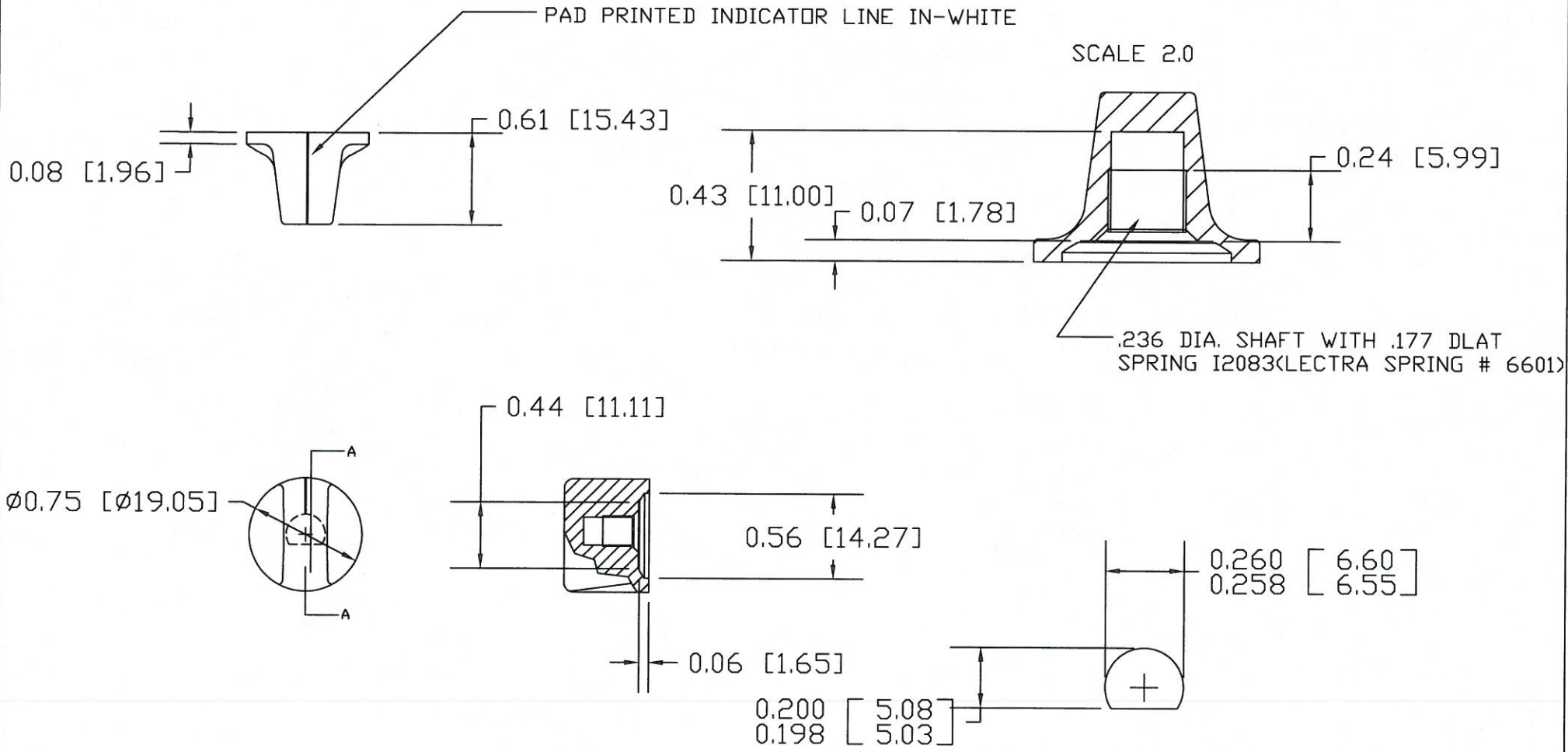


P/N 1510BC	
BASE PART	1510-07
SPRING	I2083



SCALE 2 : 1  
MOLDED HOLE SIZE

NAME:	MISKOVIC
SCALE	1.0   09/18/97

-	UPDATED TOOLBOX	JAM	11/10/10
-	WAS SK1259	HD	9/25/97
CHANGES			
THIS DRAWING IS THE PROPERTY OF DAVIES MOLDING COMPANY, IS SUBMITTED SOLELY AS A DESIGN OR ENGINEERING PROJECT, WE ACCEPT NO RESPONSIBILITY WHATSOEVER FOR THE PRACTICAL APPLICATION.			

TOLERANCES: UNLESS OTHERWISE SPECIFIED	DO NOT SCALE DRAWING
DECIMALS: X.XXX ± .005 X.XX ± .015	MM: X.XX ± 0.15MM X.X ± 0.4MM
FRACTIONS ± 1/64	ANG. ± 1°

**DAVIES** L.L.C.  
DESIGNERS & MANUFACTURERS  
OF KNOBS, HANDLES & CASES  
1-800-554-9208

A