

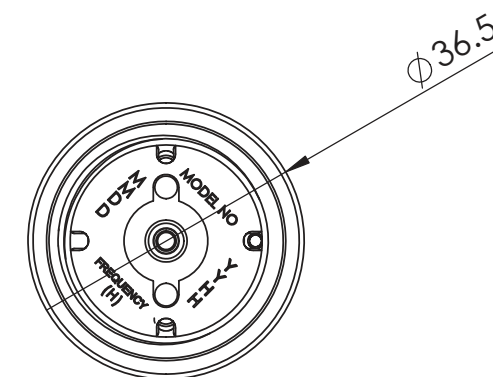
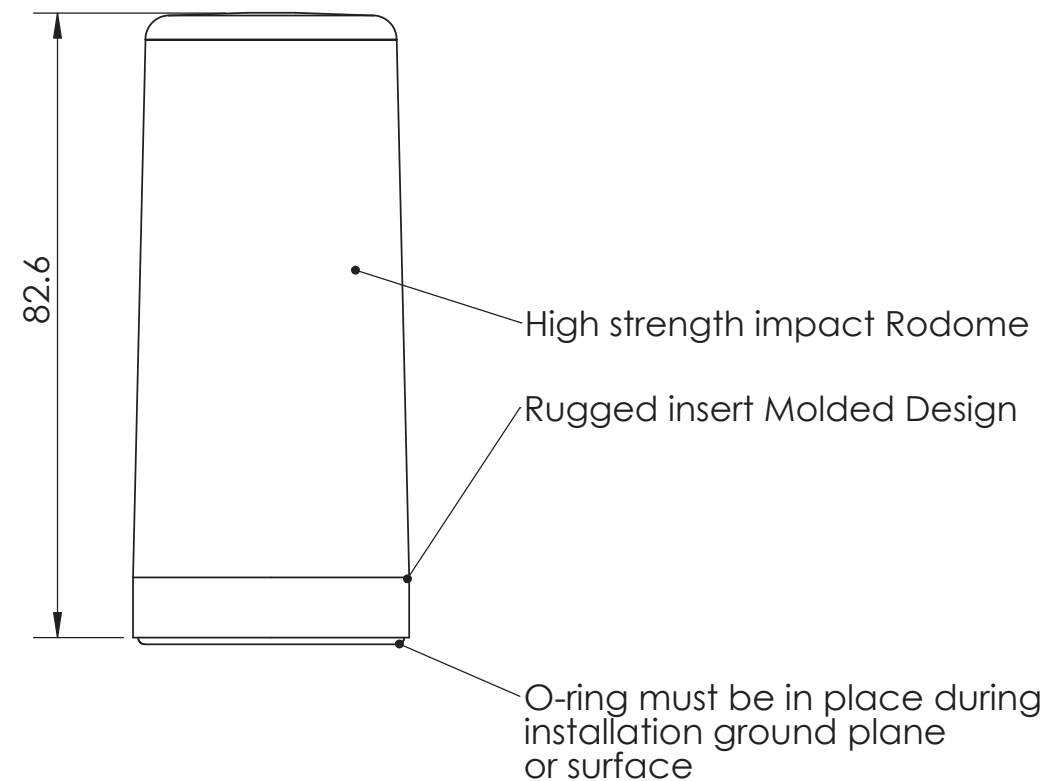
# Electrical SPEC

Item	Model Number	Antenna Color	Frequency	VSWR	Gain (Typical)	Gain (Max)	Input Impedance	Polarization
1	UTRA4301S3NW-001	WHITE	430-490 MHz	<2.5:1	3.3 dBi	3.6 dBi	50 ohm	Vertical
2	UTRA4301S3NB-001	BLACK	430-490 MHz	<2.5:1	3.3 dBi	3.6 dBi	50 ohm	Vertical

\*Tested on 2ft x 2ft Ground Plane

## REVISIONS

REV.	ECR#	ZONE	DESCRIPTION	CHANGED BY/DATE	APPROVED BY/DATE
F01	ECN-IAS-03462	N/A	MO RELEASED	TPC 8 MAY13	CYH 8 MAY13



### Parameter

### Mechanical SPEC

Model Number	Refer to Config Table Below
Antenna Type	Shorted Monopole
Weight	163.3g
Mounting	NMO
Wind Survival	282 km/h
Antenna Dimension	82.6(H)X36.5(Dia.)mm (Excludes Gasket Height)
Operating Temperature	-45°C ~ +85°C
Storage Temperature	-50°C ~ +85°C
Ingression Protection	IP67
Installation Torque	5.43~8.14 Nm

<b>MATERIAL:</b> N/A		THIRD ANGLE PROJECTION			
<b>FINISH:</b> N/A					
APPROVALS		DATE		TITLE:	
DRAWN BY	TP CHEE	8 MAY 13		<b>MOUNTING &amp; OUTLINE</b>	
ELEC. ENG.					
MECH. ENG.		8 MAY 13		INTERPRET DIMENSIONING AND TOLERANCING IN ACCORDANCE WITH ASME Y14.5M-2009	
MFG./OPS.				TOLERANCES UNLESS OTHERWISE SPECIFIED	
				DIMENSIONS ARE IN MILLIMETERS	
				ANGLE: ±30' 0 PLACE DECIMAL: ±0.5 1 PLACE DECIMAL: ±0.25 2 PLACE DECIMAL: ±0.13	
				SURFACE ROUGHNESS 1.6	
				SIZE <b>A3</b>	DWG. NO. <b>UTRA4301S3NMO</b>
				SCALE: 1:2	REV <b>F01</b>
				PREVIOUS#	SHEET 1 OF 1

THIS DRAWING IS UNPUBLISHED.

RELEASED FOR PUBLICATION

© Copyright 2022 TE Connectivity Ltd.

ALL RIGHTS RESERVED.