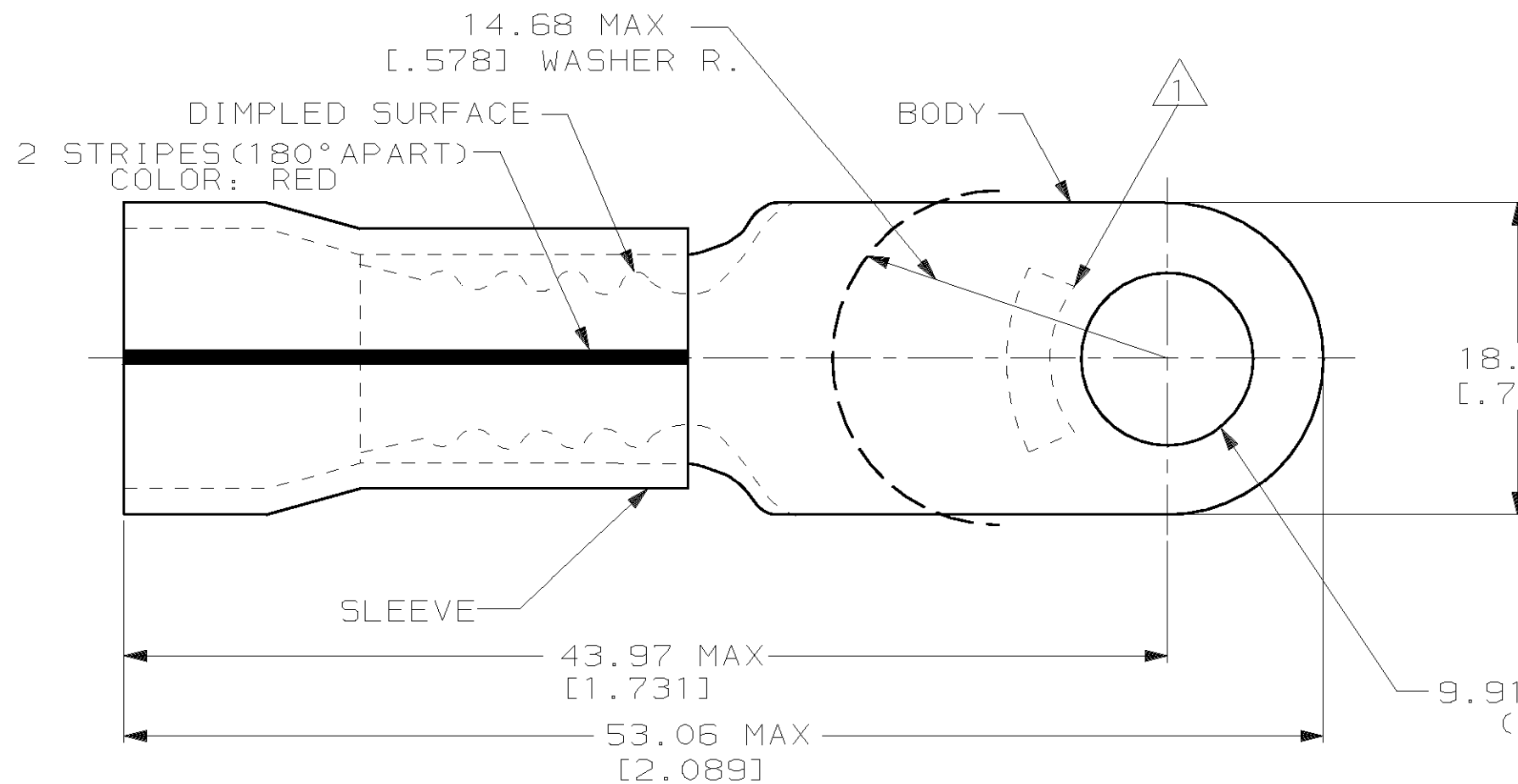


THIS DRAWING IS UNPUBLISHED. RELEASED FOR PUBLICATION ,19 .
 © COPYRIGHT 19 BY AMP INCORPORATED. ALL INTERNATIONAL RIGHTS RESERVED.

LOC	DIST	P	F	REVISIONS			DATE	APPD
G	14			ZONE	LTR	DESCRIPTION		
					F	REV PER 0G3A-0236-99	250CT99	JR/TM



AMP
WIRE RANGE

2 AWG
STRANDED

METRIC
DIMENSIONS LISTED IN mm [INCHES]

NOTE:
 1. STAMP AMP 2* LOCATE APPROX AS SHOWN
 2. TONGUE MATERIAL THK 1.45±0.08 [.057±.003]
 3. WIRE INSULATION DIA 14.22 [.560] MAX

9.91±0.13 [.390±.005] DIA
(FOR 3/8 STUD)

OBSOLETE	50	LOOSE PC, BOX	8-53953-2
	50	LOOSE PC	53953-1
	QTY	PACKAGE TYPE	PART NO

**AMP INCORPORATED
CUSTOMER SERVICE SYSTEMS**

MAX RECOMMENDED OPERATING TEMPERATURE:

150°c

VOLTAGE RATING:
600 V MAX

CIRCULAR MIL AREA:
26.65-42.41mm² [52,600-83,700]
STRANDED

DO NOT SCALE PRINT.
UNLESS SPECIFIED
DIMENSIONS IN mm [INCHES]
TOLERANCES ON:
2 PLC DEC ± 0.20 [.008]
3 PLC DEC ± -
ANGLES ± -

MATERIAL
COPPER PER ASTM B-152
PVF², COLOR:NATURAL

FINISH
TIN/LEAD (93-7) PLATE
PER ASTM B545

DR 10-6-93
S.S. GOULDEN
CHK 10-6-93
R. HERSEY
APPD 10-6-93
B. BARE
APPD 10-6-93
M. ELLIS

PRODUCT SPEC
NOT AVAILABLE

APPLICATION SPEC
NOT AVAILABLE

WEIGHT -



AMP Incorporated
Harrisburg, PA 17105-3608

NAME
TERMINAL, RING TONGUE, PVF²,
PLASTI-GRIP, WIRE SIZE:2 AWG

SIZE **B** CAGE CODE 00779 DRAWING NO **C-53953**

SCALE NTS SHEET 1 OF 1

FOR ADDITIONAL
PRODUCT INFORMATION OR
COPIES OF DRAWINGS
AND TECHNICAL DOCUMENTS

PRODUCT INFORMATION CENTER
1-800-522-6752

FOR APPLICATION
TOOLING INFORMATION

TOOLING ASSISTANCE CENTER
1-800-722-1111

FOR ORDER ENTRY

1-800-526-5142

THIS DRAWING IS A CONTROLLED DOCUMENT FOR
AMP INCORPORATED. IT IS SUBJECT TO CHANGE
AND THE CONTROLLING ENGINEERING ORGANIZATION
SHOULD BE CONTACTED FOR THE LATEST REVISION.