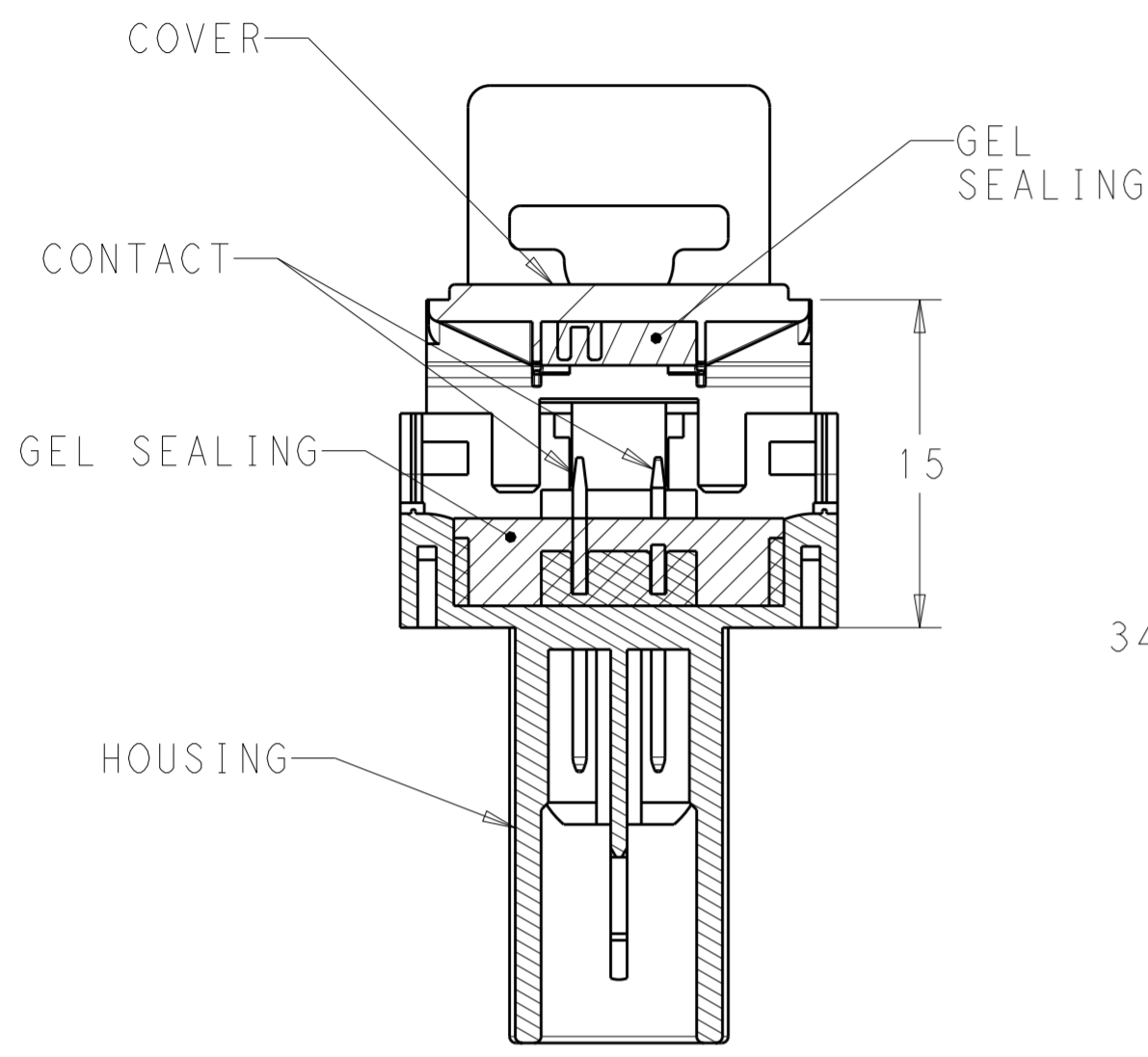
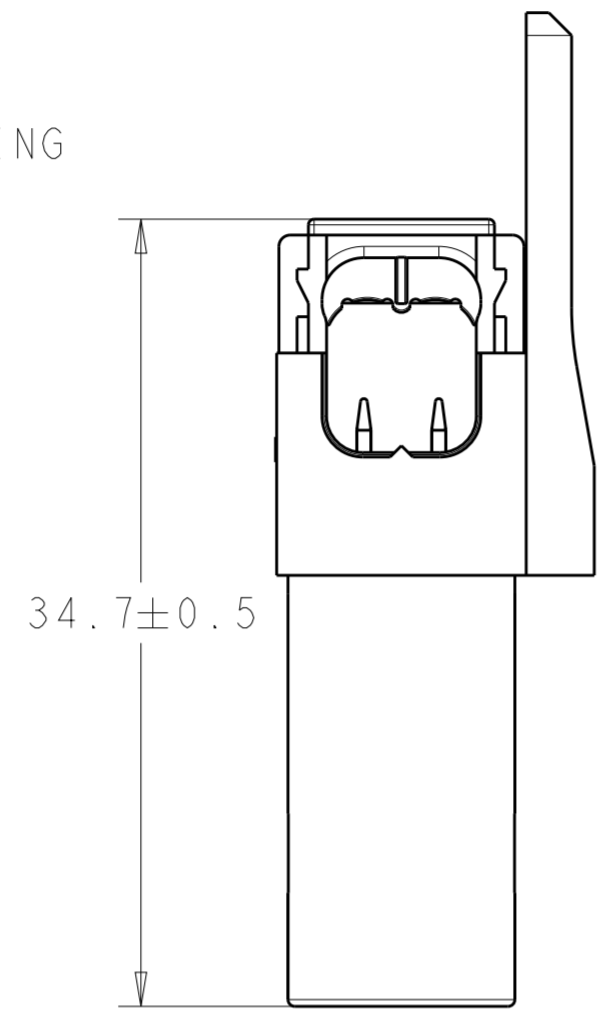


THIS DRAWING IS UNPUBLISHED. RELEASED FOR PUBLICATION 20  
 © COPYRIGHT 20 BY - ALL RIGHTS RESERVED.

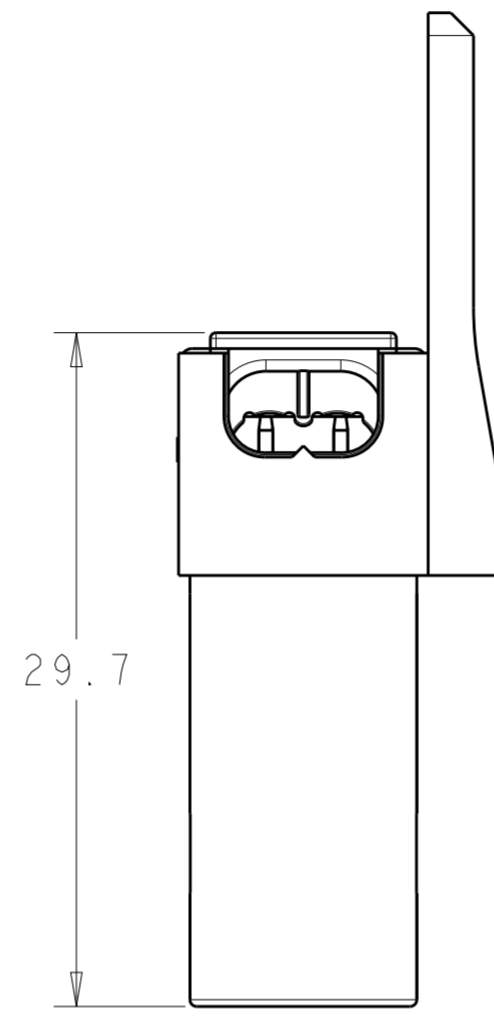
| LOC |     | DIST                      |           | REVISIONS |      |  |  |
|-----|-----|---------------------------|-----------|-----------|------|--|--|
| P   | LTR | DESCRIPTION               | DATE      | DWN       | APVD |  |  |
|     | A   | REVISED PER ECR-15-010341 | 24JUL2015 | RS        | PO   |  |  |
|     | A1  | REVISED PER ECR-15-011381 | 05AUG2015 | RS        | JL   |  |  |
|     | B   | REVISED PER ECR-17-008257 | 12JUN2017 | SK        | JL   |  |  |



SECTION A-A

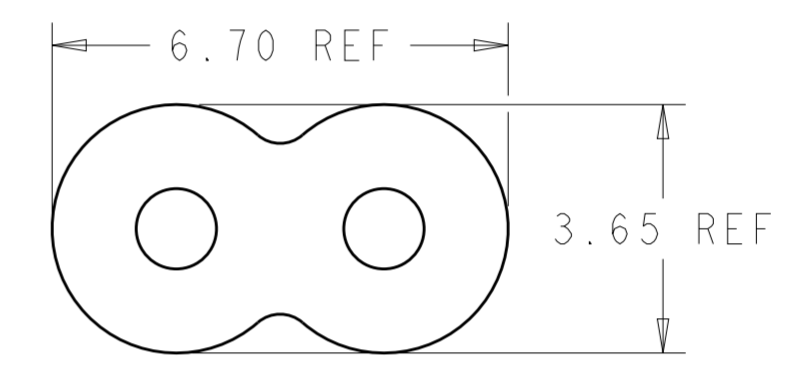


PRE-LOCKING CONDITION

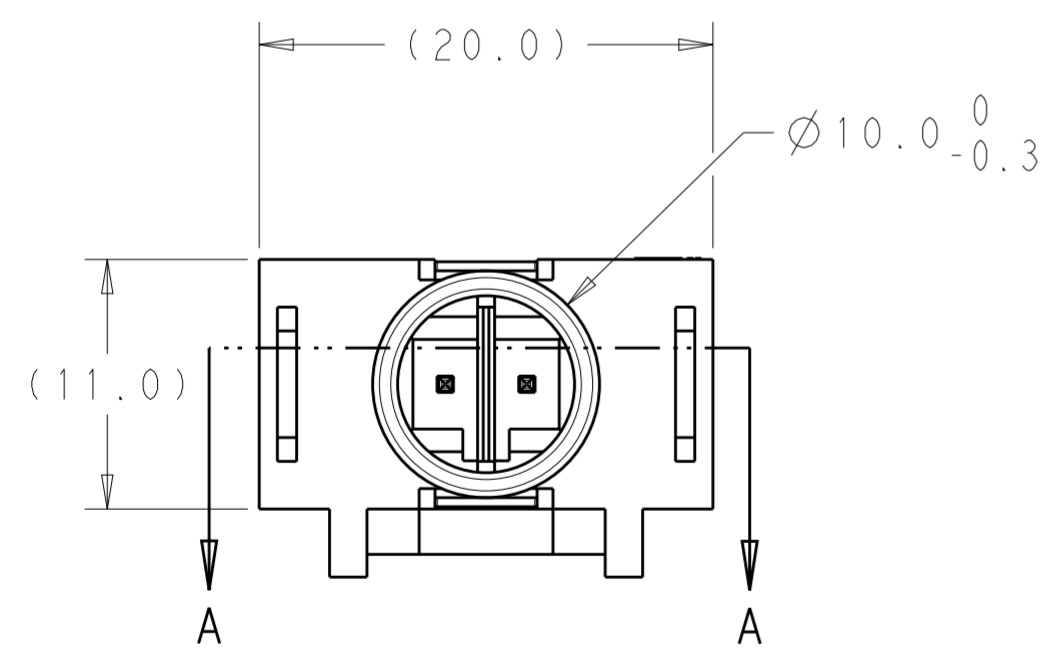


CLOSED CONDITION

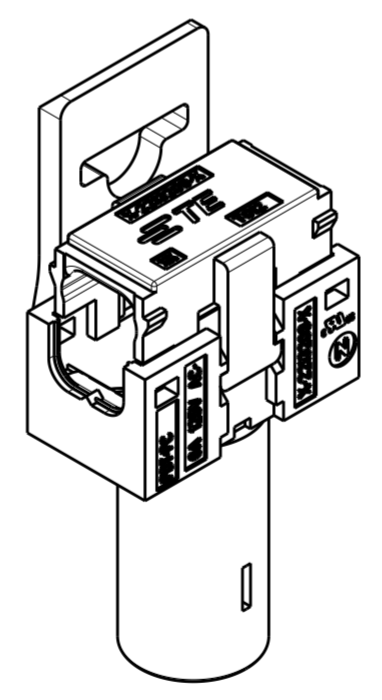
1. MATERIAL AND FINISH:  
 HOUSING AND CAP: PBT+PC, COLOR: NATURAL  
 CONTACTS: COPPER ALLOY, FINISH: TIN OVER NICKEL  
 SEALING GEL: SILICONE DIELECTRIC GEL
2. MUST COMPLY WITH DIRECTIVE 2002/95/EC (ROHS)
3. TO BE USED WITH UL SPT-2, 2/C 18 AWG TYPE WIRE



TYPICAL SPT-2 CABLE



TYPICAL VIEW  
 SEE PAGE 3 FOR  
 ALL VARIATIONS



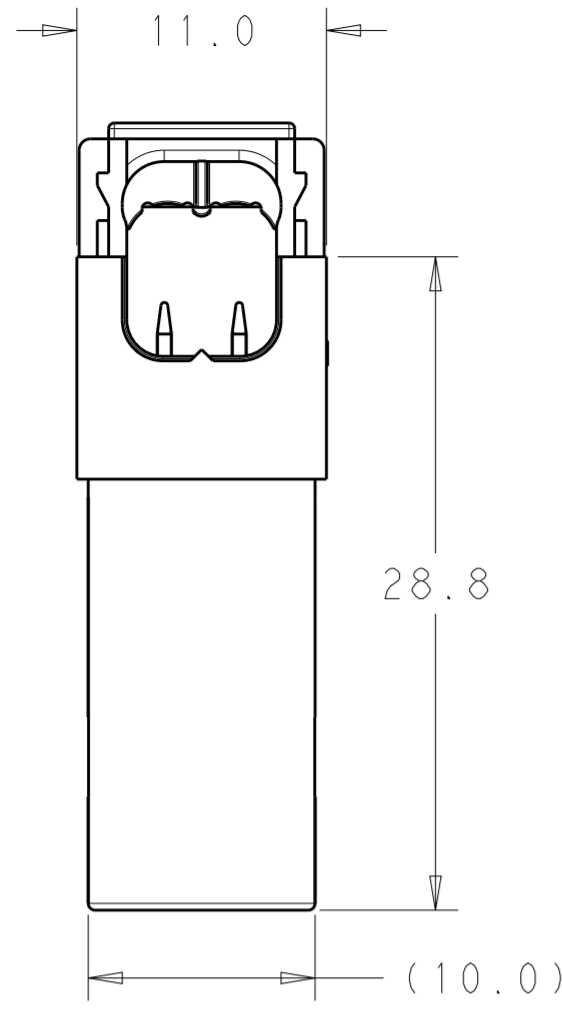
|             |      |                           |              |          |
|-------------|------|---------------------------|--------------|----------|
| NO          | LV-2 | END HOUSING, WITHOUT TAB  | 7-2213222-4  |          |
| NO          | HV-3 | END HOUSING, WITHOUT TAB  | 7-2213222-1  |          |
| NO          | LV-2 | END HOUSING, WITH TAB     | 6-2213222-4  |          |
| NO          | HV-3 | END HOUSING, WITH TAB     | 6-2213222-1  |          |
| NO          | LV-2 | THRU HOUSING, WITHOUT TAB | 5-2213222-4  |          |
| NO          | HV-3 | THRU HOUSING, WITHOUT TAB | 5-2213222-1  |          |
| NO          | LV-2 | THRU HOUSING, WITH TAB    | 4-2213222-4  |          |
| NO          | HV-3 | THRU HOUSING, WITH TAB    | 4-2213222-1  |          |
| YES         | LV-2 | END HOUSING, WITHOUT TAB  | 3-2213222-4  |          |
| YES         | HV-3 | END HOUSING, WITHOUT TAB  | 3-2213222-1  |          |
| YES         | LV-2 | END HOUSING, WITH TAB     | 2-2213222-4  |          |
| YES         | HV-3 | END HOUSING, WITH TAB     | 2-2213222-1  |          |
| YES         | LV-2 | THRU HOUSING, WITHOUT TAB | 1-2213222-4  |          |
| YES         | HV-3 | THRU HOUSING, WITHOUT TAB | 1-2213222-1  |          |
| YES         | LV-2 | THRU HOUSING, WITH TAB    | 2213222-4    |          |
| YES         | HV-3 | THRU HOUSING, WITH TAB    | 2213222-1    |          |
| SEALING GEL |      | POLARIZATION KEY          | HOUSING TYPE | PART NO. |

THIS DRAWING IS A CONTROLLED DOCUMENT.

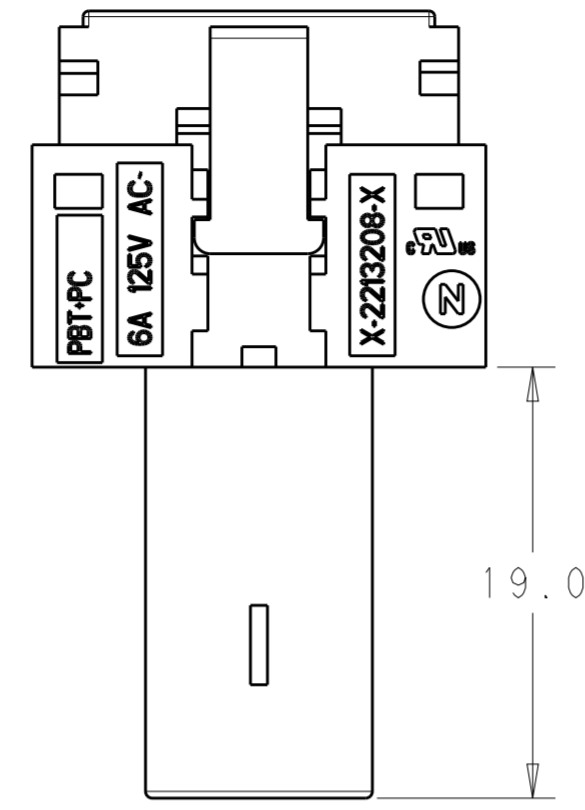
|                   |  |  |  |                 |
|-------------------|--|--|--|-----------------|
| DIMENSIONS:<br>mm | TOLERANCES UNLESS OTHERWISE SPECIFIED:<br>0 PLC ±0.5<br>1 PLC ±0.15<br>2 PLC ±0.1<br>3 PLC ±<br>4 PLC ±<br>ANGLES ±1<br>FINISH | DWN RAVLS 18MAR2013<br>CHK C. GINGRICH 18MAR2013<br>APVD C. GINGRICH 18MAR2013 | TE Connectivity<br>ASSEMBLY: NECTOR S BUS BAR NA   |                 |
| MATERIAL          |  | PRODUCT SPEC 108-20294<br>APPLICATION SPEC 114-20131<br>WEIGHT -               | SIZE A2<br>CAGE CODE 00779<br>DRAWING NO C-2213222 | RESTRICTED TO - |
| Customer Drawing  |  | SCALE 2  | SHEET 1 OF 3                                       | REV B           |

THIS DRAWING IS UNPUBLISHED. RELEASED FOR PUBLICATION 20  
 © COPYRIGHT 20 BY - ALL RIGHTS RESERVED.

| LOC | DIST | REVISIONS   |      |     |      |
|-----|------|-------------|------|-----|------|
| P   | LTR  | DESCRIPTION | DATE | DWN | APVD |
| -   | -    | SEE SHEET 1 | -    | -   | -    |
|     |      |             |      |     |      |
|     |      |             |      |     |      |

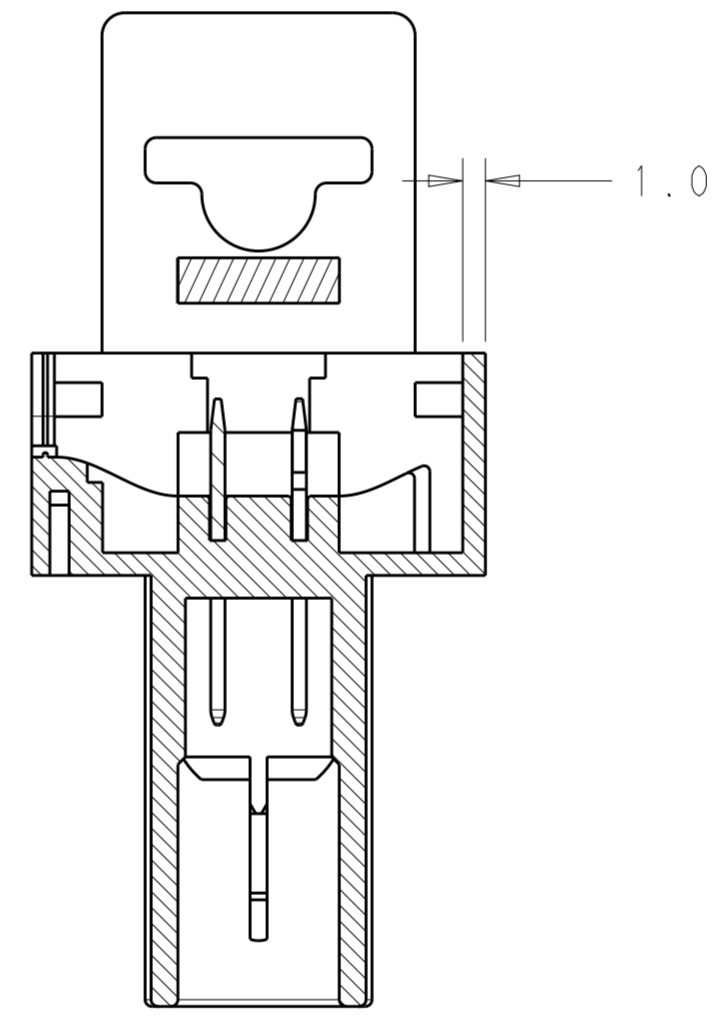
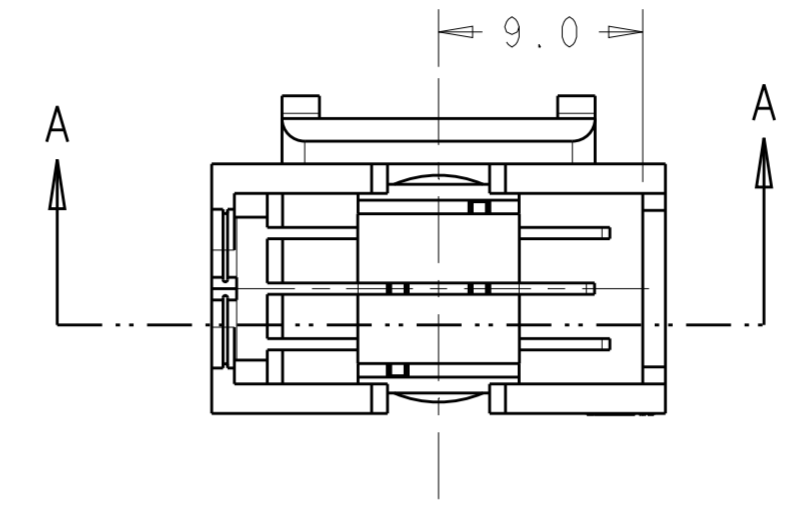


HOUSING WITHOUT TAB

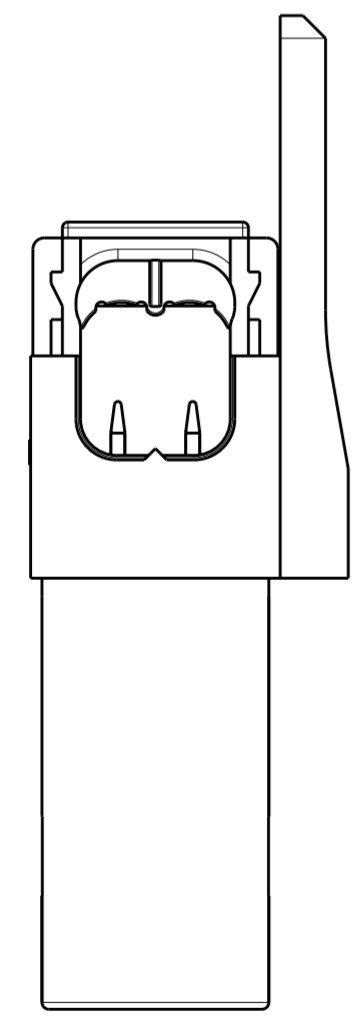


19.0

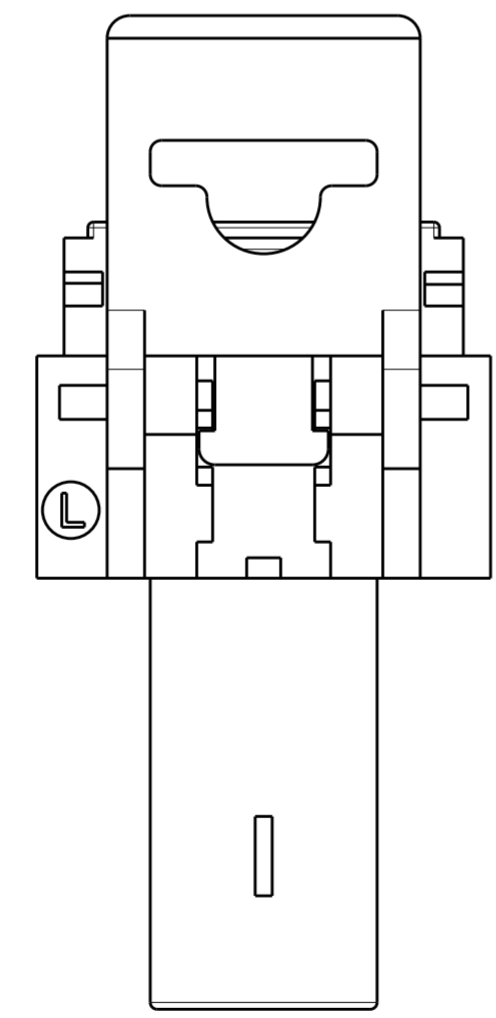
END HOUSING WITH TAB



SECTION A-A  
SCALE 3:1



HOUSING WITH TAB

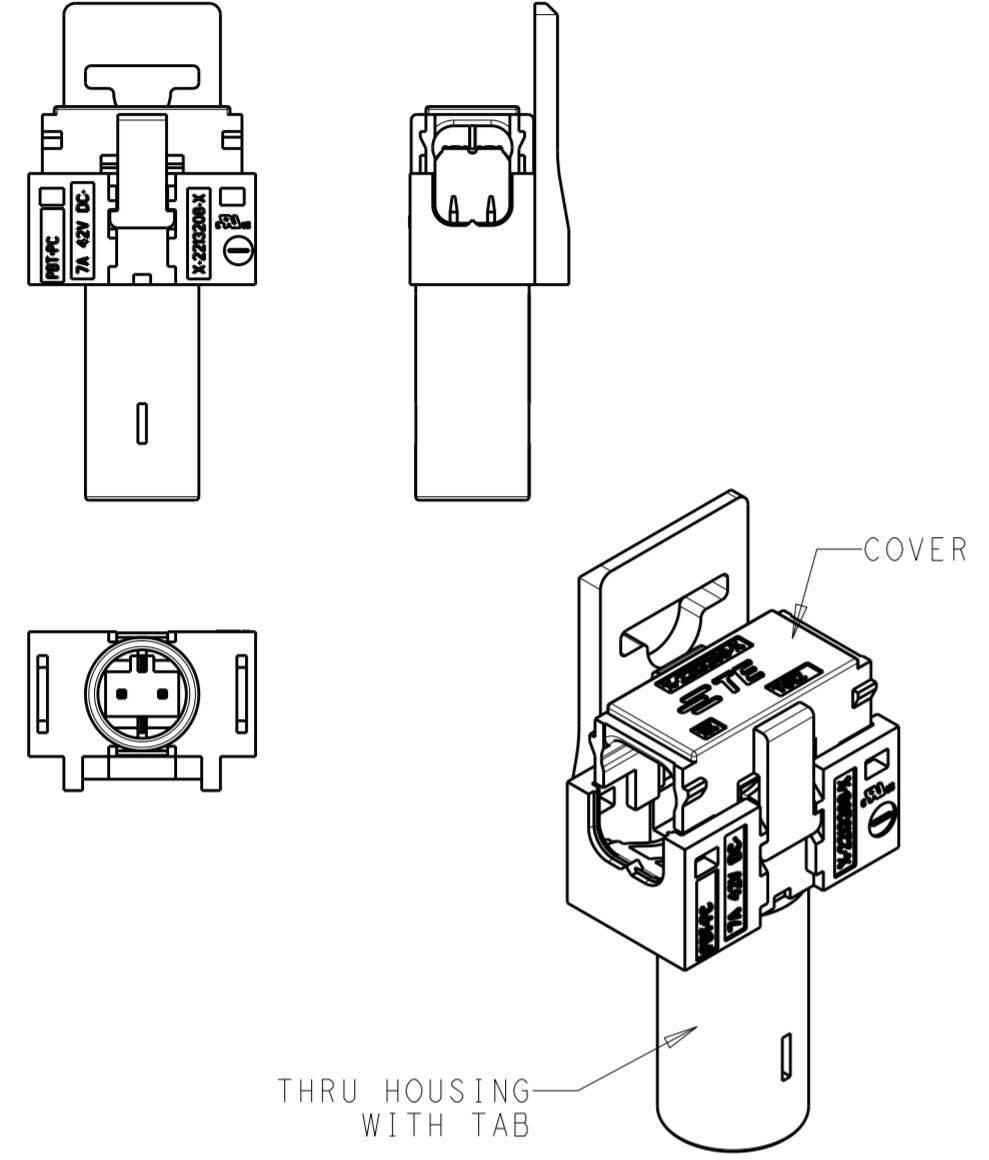


|  |  |                            |   |  |           |           |              |               |
|--|--|----------------------------|---|--|-----------|-----------|--------------|---------------|
| THIS DRAWING IS A CONTROLLED DOCUMENT.   |  | DWN RAVI.S 18MAR2013       | TE Connectivity<br>NAME ASSEMBLY: NECTOR S BUS BAR NA |  |           |           |              |               |
| DIMENSIONS: mm   |  | CHK C. GINGRICH 18MAR2013  |   |  | SIZE      | CAGE CODE | DRAWING NO   | RESTRICTED TO |
| TOLERANCES UNLESS OTHERWISE SPECIFIED:   |  | APVD C. GINGRICH 18MAR2013 |   |  | 108-20294 | A200779   | C-2213222    | -             |
| 0 PLC ±0.5<br>1 PLC ±0.15<br>2 PLC ±0.1<br>3 PLC ±<br>4 PLC ±<br>ANGLES ±1<br>FINISH |  | PRODUCT SPEC 114-20131     |   |  | WEIGHT -  | SCALE 2   | SHEET 2 OF 3 | REV B         |
| MATERIAL -   |  | Customer Drawing           |   |  |           |           |              |               |

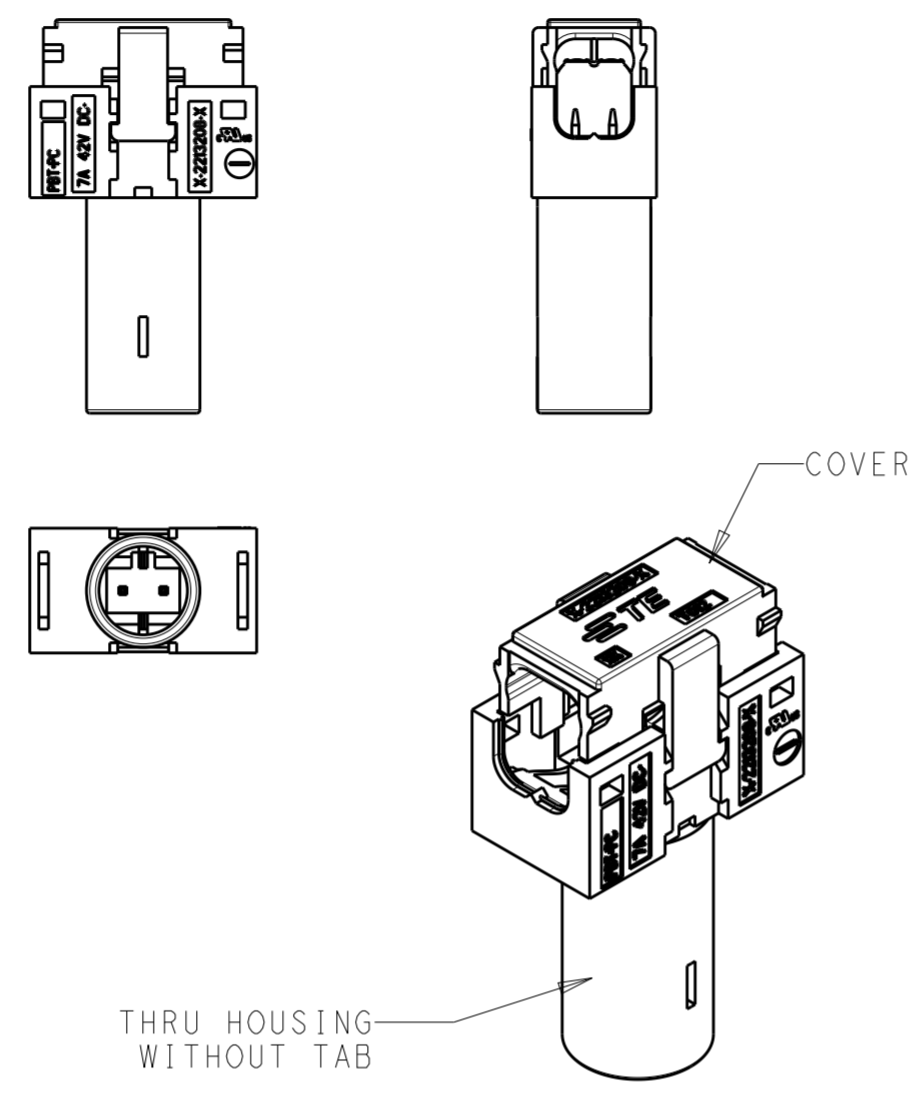
THIS DRAWING IS UNPUBLISHED. RELEASED FOR PUBLICATION 20  
 © COPYRIGHT 20 BY - ALL RIGHTS RESERVED.

| LOC |     | DIST        |      | REVISIONS |      |  |  |
|-----|-----|-------------|------|-----------|------|--|--|
| P   | LTR | DESCRIPTION | DATE | DWN       | APVD |  |  |
| -   | -   | SEE SHEET 1 | -    | -         | -    |  |  |

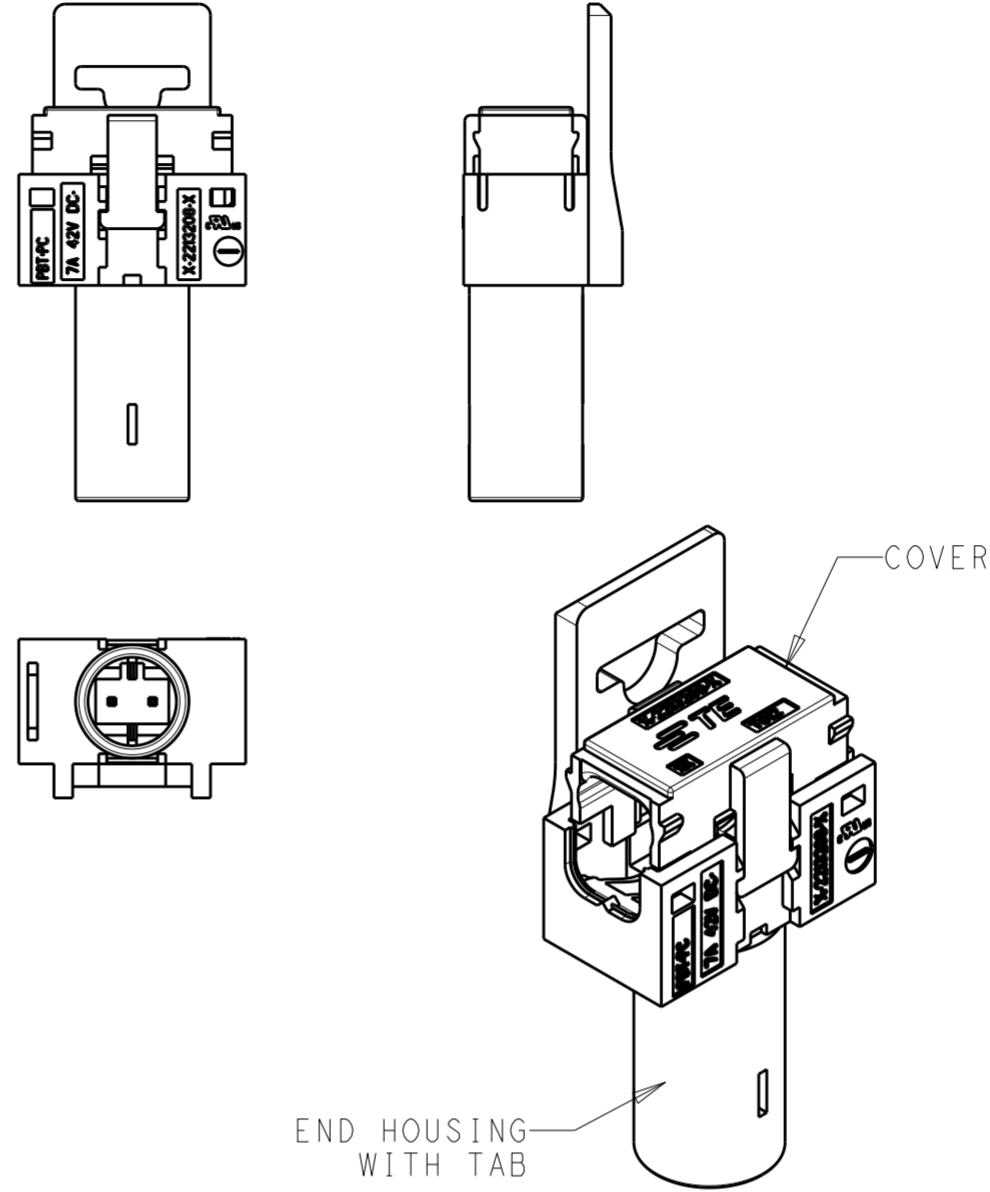
P/N 2213222-4 W/SEAL GEL  
 P/N 4-2213222-4 W/O SEAL GEL  
 POLARIZATION KEY LV-2



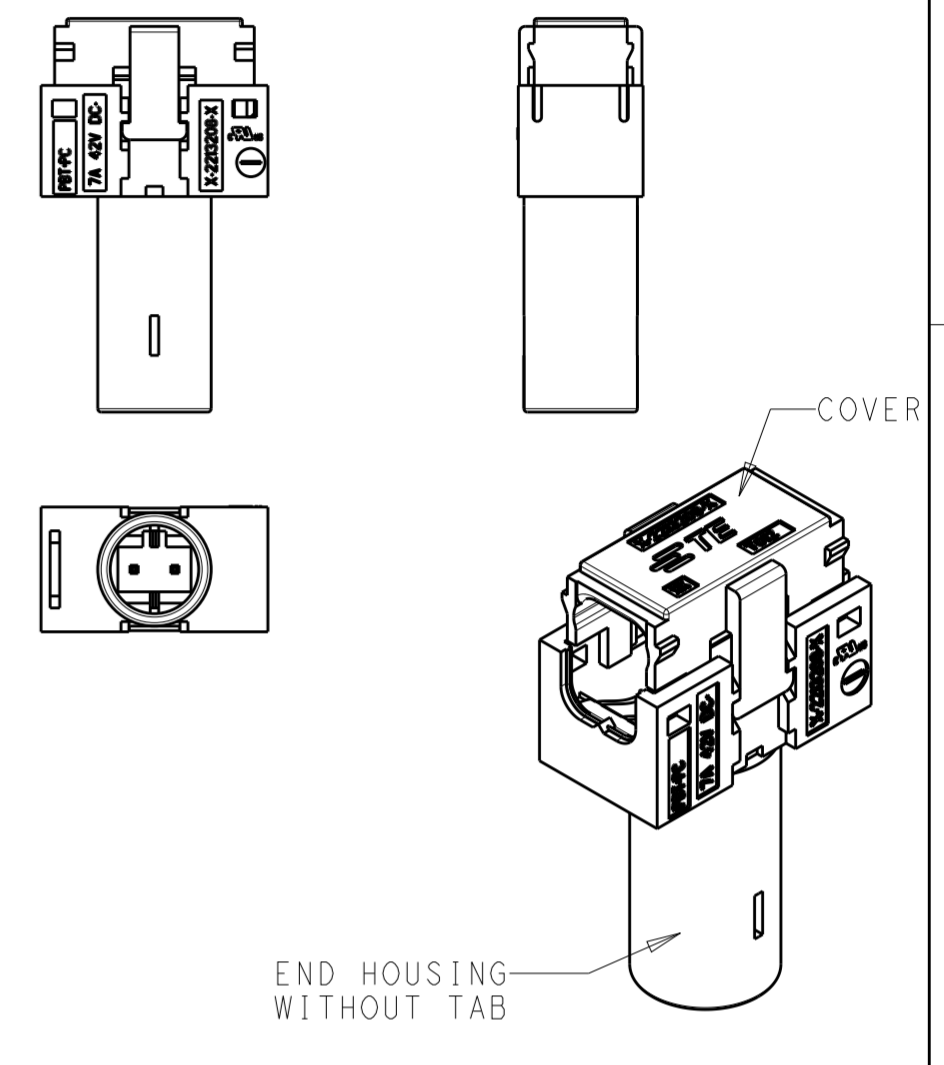
P/N 1-2213222-4 W/SEAL GEL  
 P/N 5-2213222-4 W/O SEAL GEL  
 POLARIZATION KEY LV-2



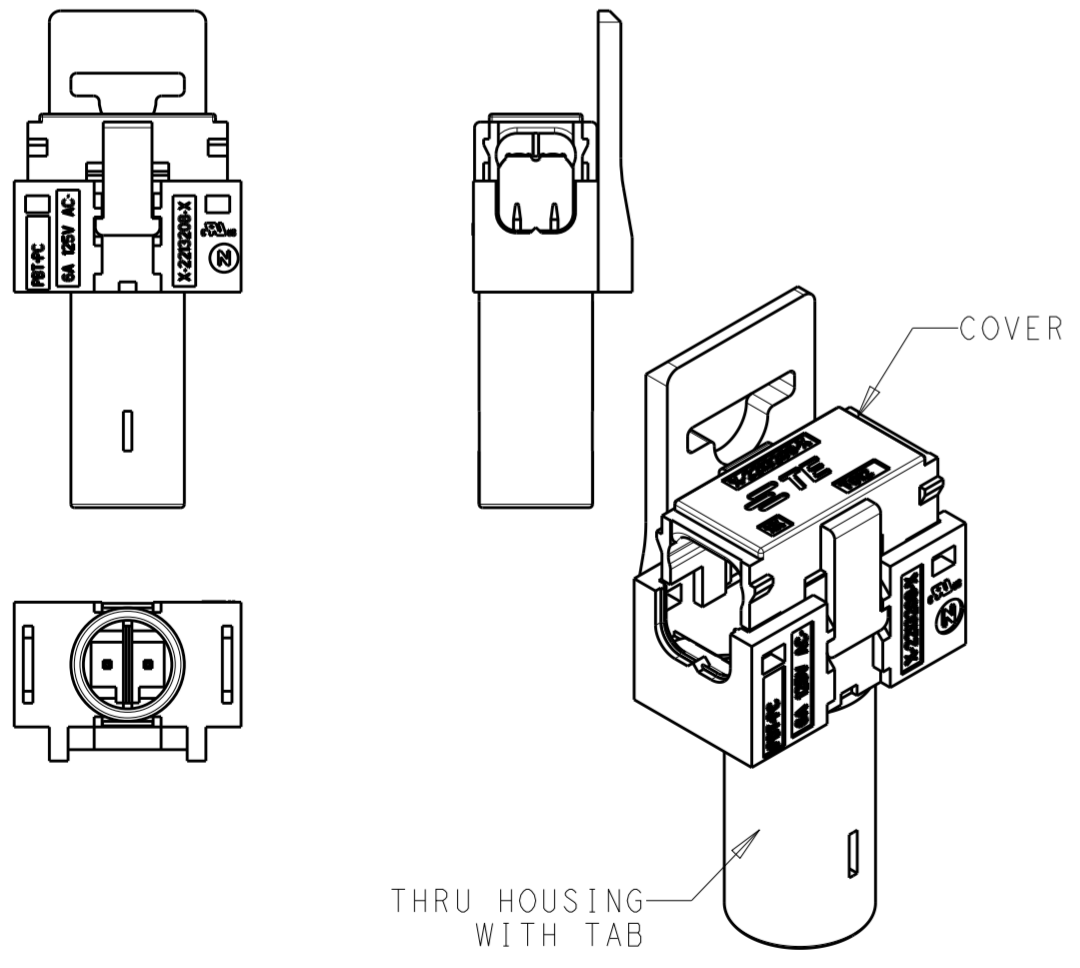
P/N 2-2213222-4 W/ SEAL GEL  
 P/N 6-2213222-4 W/O SEAL GEL  
 POLARIZATION KEY LV-2



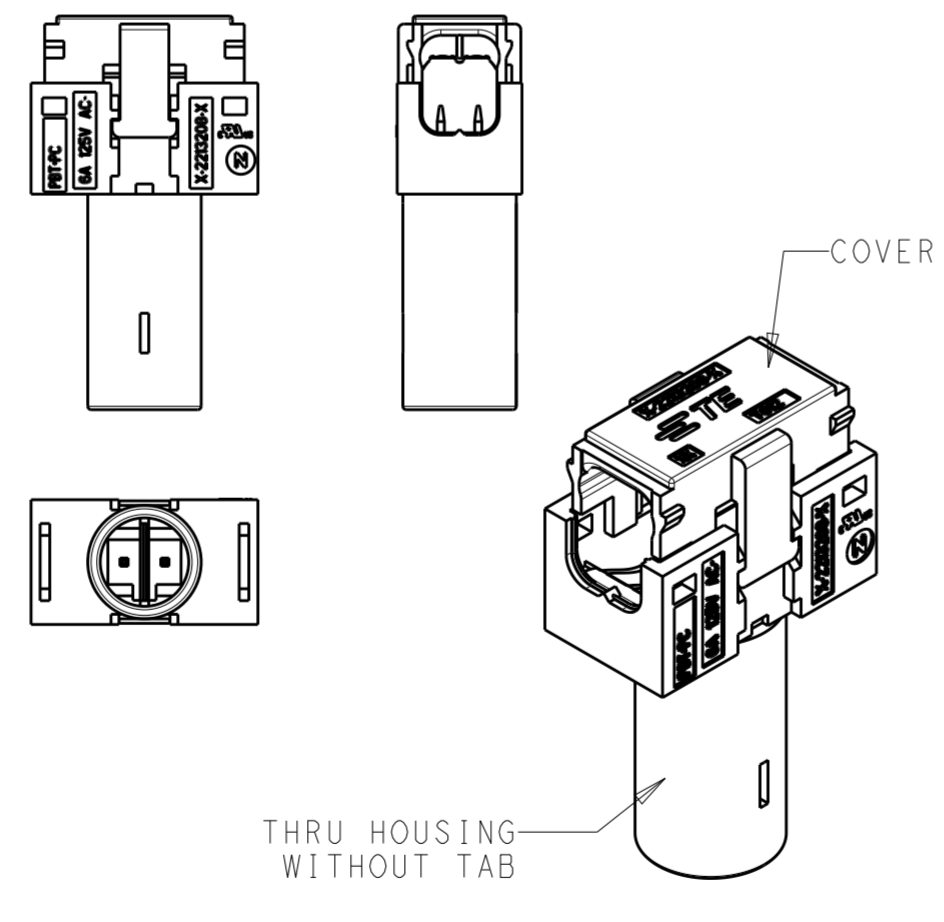
P/N 3-2213222-4 W/ SEAL GEL  
 P/N 7-2213222-4 W/O SEAL GEL  
 POLARIZATION KEY LV-2



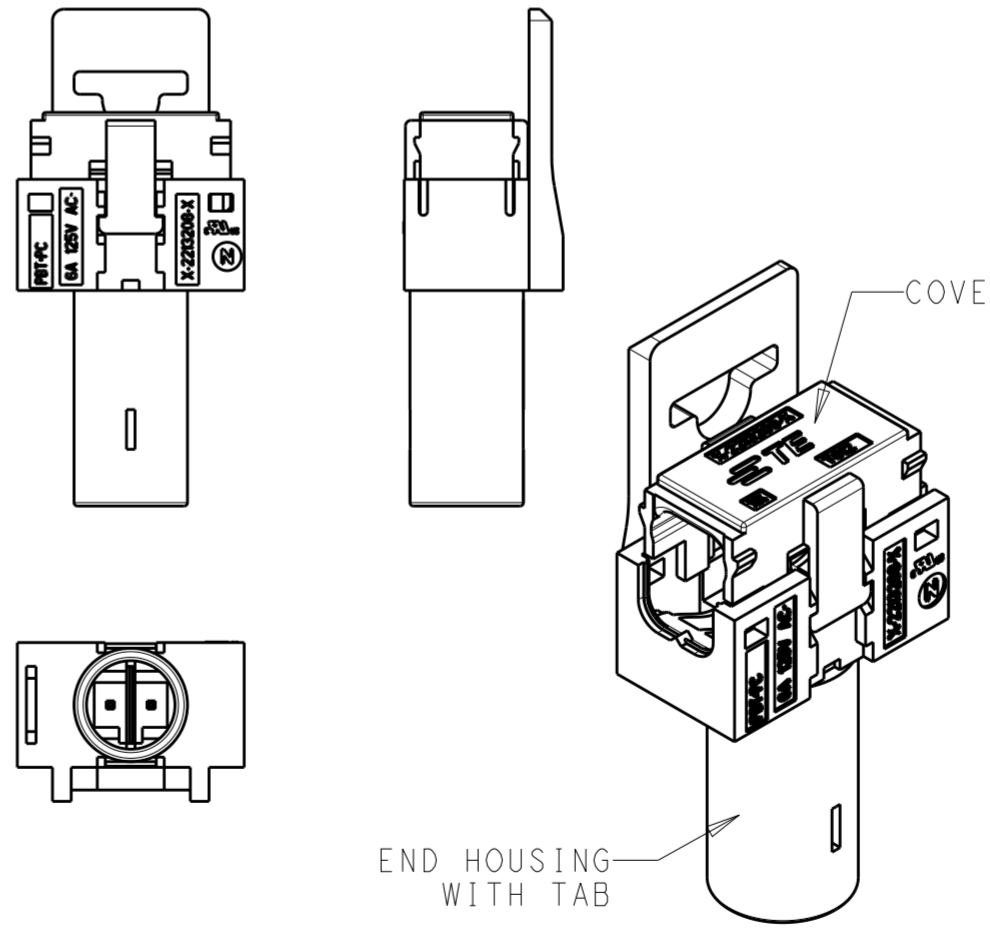
P/N 2213222-1 W/ SEAL GEL  
 P/N 4-2213222-1 W/O SEAL GEL  
 POLARIZATION KEY HV-3



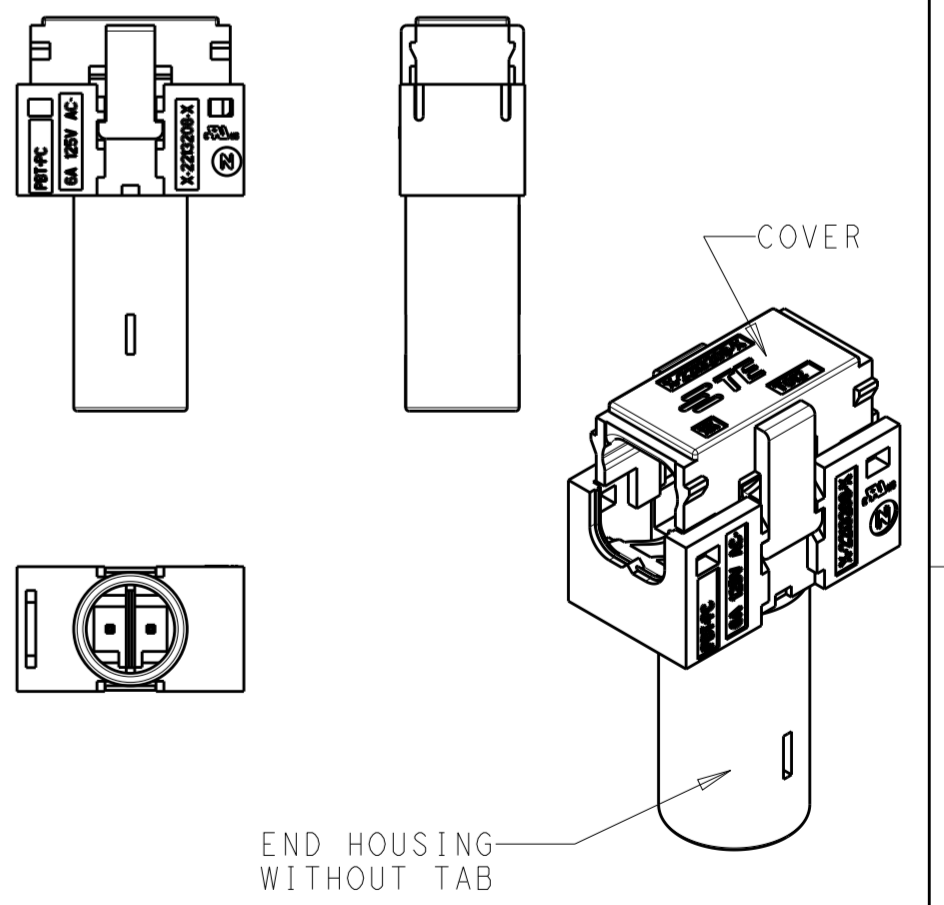
P/N 1-2213222-1 W/ SEAL GEL  
 P/N 5-2213222-1 W/O SEAL GEL  
 POLARIZATION KEY HV-3



P/N 2-2213222-1 W/ SEAL GEL  
 P/N 6-2213222-1 W/O SEAL GEL  
 POLARIZATION KEY HV-3



P/N 3-2213222-1 W/ SEAL GEL  
 P/N 7-2213222-1 W/O SEAL GEL  
 POLARIZATION KEY HV-3



THIS DRAWING IS A CONTROLLED DOCUMENT.

|             |  |                  |                            |
|-------------|--|------------------|----------------------------|
| DIMENSIONS: | TOLERANCES UNLESS OTHERWISE SPECIFIED: | DWN              | 18MAR2013                  |
| mm          | 0 PLC ±0.5                             | CHK              | 18MAR2013                  |
|             | 1 PLC ±0.15                            | C                | GINGRICH                   |
|             | 2 PLC ±0.1                             | APVD             | 18MAR2013                  |
|             | 3 PLC ±                                | C                | GINGRICH                   |
|             | 4 PLC ±                                | PRODUCT SPEC     | 108-20294                  |
|             | ANGLES ±1                              | APPLICATION SPEC | 114-20131                  |
| MATERIAL    | FINISH                                 | WEIGHT           | -                          |
| -           | -                                      | Customer Drawing | SCALE 2 SHEET 3 OF 3 REV B |

STE TE Connectivity

ASSEMBLY: NECTOR S BUS BAR NA

SIZE CAGE CODE DRAWING NO RESTRICTED TO

A200779 C-2213222