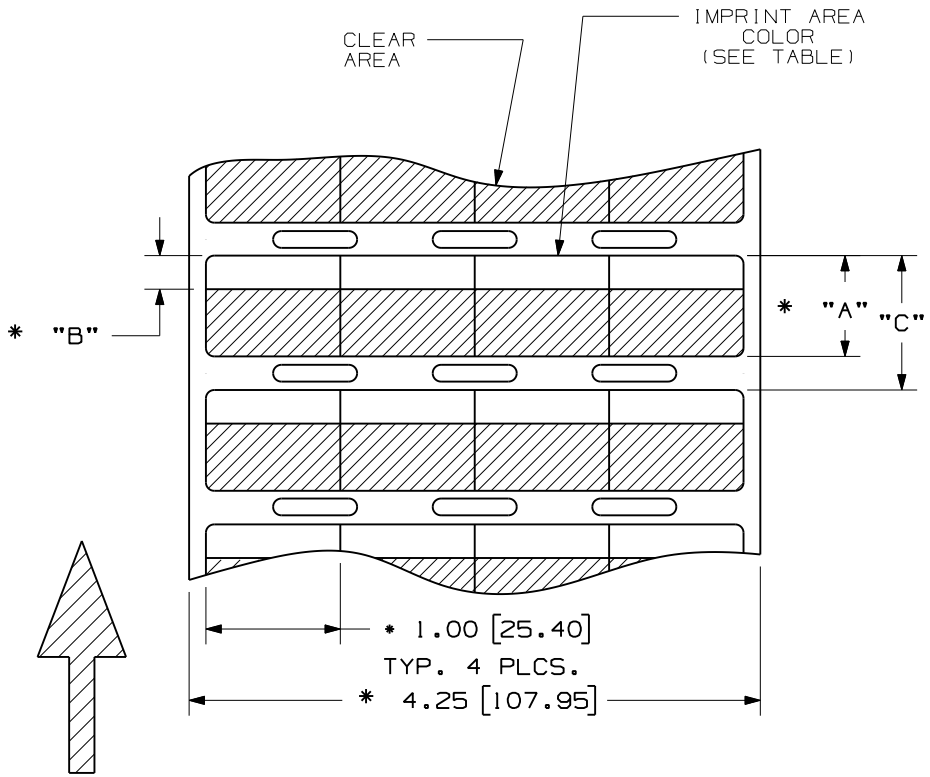


THIS COPY IS PROVIDED ON A RESTRICTED BASIS AND IS NOT TO BE USED IN ANY WAY DETRIMENTAL TO THE INTERESTS OF PANDUIT CORP.

3

PART NUMBER	"A" DIM	"B" IMPRINT AREA	COLOR-IMPRINT AREA	"C" VERTICAL AREA	"D" DIM	LABELS PER ROW	STD. PKG. QTY.
S100X225VBTY	2.25 (57.2)	0.75 +/- .062 (19.0 +/- 1.6)	TIA BLUE	2.50 (63.5)	.063 (1.60)	4	5,000
S100X225VCTY			TIA TAN				
S100X225VDTY			TIA GREEN				
S100X225VETY			TIA GRAY				
S100X225VFTY			TIA ORANGE				
S100X225VGTY			TIA PURPLE				
S100X225VHTY			TIA PINK				
S100X225VITY			TIA YELLOW				
S100X225VOTY			TIA BLACK				
S100X225V9TY			TIA GOLD				
S100X150VBTY	1.50 (38.1)	0.50 +/- .062 (12.7 +/- 1.6)	TIA BLUE	1.80 (45.7)	.088 (2.24)	4	5,000
S100X150VCTY			TIA TAN				
S100X150VDTY			TIA GREEN				
S100X150VETY			TIA GRAY				
S100X150VFTY			TIA ORANGE				
S100X150VGTY			TIA PURPLE				
S100X150VHTY			TIA PINK				
S100X150VITY			TIA YELLOW				
S100X150VOTY			TIA BLACK				
S100X150V9TY			TIA GOLD				



NOTES:  
1. MILLIMETERS ARE IN [ ].

CAD FILENAME/LAYERS  
I00472HT-DC-C10404/06D

PANDUIT CORP. TINLEY PARK, ILLINOIS

OPTIMUM SELF-LAM. CUSTOMER DRAWING  
S100X150V\*\*Y & S100X225V\*\*Y  
THERMAL TRANSFER PRINTABLE LABELS  
WITH COLOR TINTED IMPRINT AREAS

REV	DATE	BY	CHK	DESCRIPTION	ECN	R	CUST	SUP
3	8/10/12	RVU		GMV17 WAS GMV16.	GAECN00177	OO		
2	1/23/08	RVU	DWY	REMOVED "SEE MIF. NO." FROM THE TABLE. ADDED "TIA COLOR" ON TABLE.	5268	R		
1	12/20/07	RVU	DWY	GMV16 WAS GMV54CLC.	5243	R		
0	9-11-06	RVU	DWY	RELEASE TO PRODUCTION.	4671	R		

UNLESS OTHERWISE SPECIFIED, DIMENSIONAL TOLERANCES ARE:  
(.X) ± (.XXX) ±  
(.XX) ± ANGLES ±

UNLESS OTHERWISE SPECIFIED, ALL DIMENSIONS ARE GIVEN IN INCHES, THIRD ANGLE PROJECTION.

SCALE: NTS

DRAWING NO. C10404

DWG SIZE: A

DRAWN BY: RVU

DATE: 3-30-06

CHK'D:

MAT'L: GMV17

3