

Description: NMO to UHF Female adapter

Series: Antenna accessory

PART NUMBER: NMOTEST1



Features:

- Adapter; NMO to UHF Female (PL-258)
- Spring loaded NMO center contact

All dimensions are in mm / inches

Issue: 2031

In the effort to improve our products, we reserve the right to make changes judged to be necessary.

CONFIDENTIAL AND PROPRIETARY INFORMATION

This document contains confidential and proprietary information of Pulse Electronics, Inc. (Pulse) and is protected by copyright, trade secret and other state and federal laws. Its receipt or possession does not convey any rights to reproduce, disclose its contents, or to manufacture, use or sell anything it may describe. Reproduction, disclosure or use without specific written authorization of Pulse is strictly forbidden.

For more information:

Pulse Worldwide Headquarters
15255 Innovation Drive #100
San Diego, CA 92128
USA
Tel: 1-858-674-8100

Pulse/Larsen Antennas
18110 SE 34th St Bldg 2 Suite 250
Vancouver, WA 98683
USA
Tel: 1-360-944-7551

Europe Headquarters
Pulse GmbH & Do, KG
Zeppelinstrasse 15
Herrenberg, Germany
Tel: 49 7032 7806 0

Pulse (Suzhou) Wireless Products Co, Inc.
99 Huo Ju Road(#29 Bldg, 4th Phase
Suzhou New District
Jiangsu Province, Suzhou 215009 PR China
Tel: 86 512 6807 9998



Description: NMO to UHF Female adapter

Series: Antenna accessory

PART NUMBER: NMOTEST1

ELECTRICAL SPECIFICATIONS

Adaptor	NMO to UHF Female
Frequency	0-300 MHz
Impedance	Non Constant
Working Voltage	500 V rms max.

MECHANICAL SPECIFICATIONS

Overall Length	36.58 mm
Weight	95.7 g
Material	Nickle plated brass
Color	Sliver

ENVIRONMENTAL SPECIFICATIONS

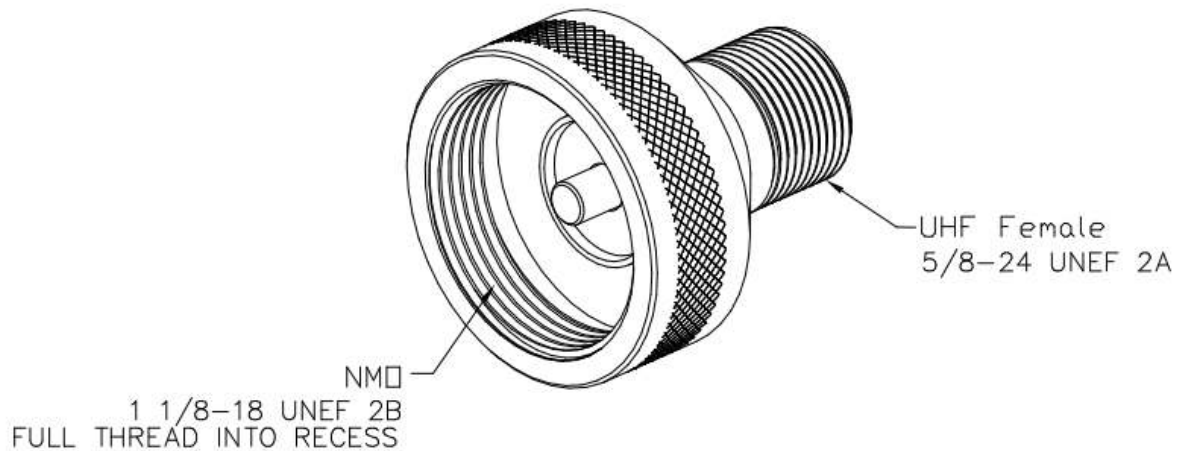
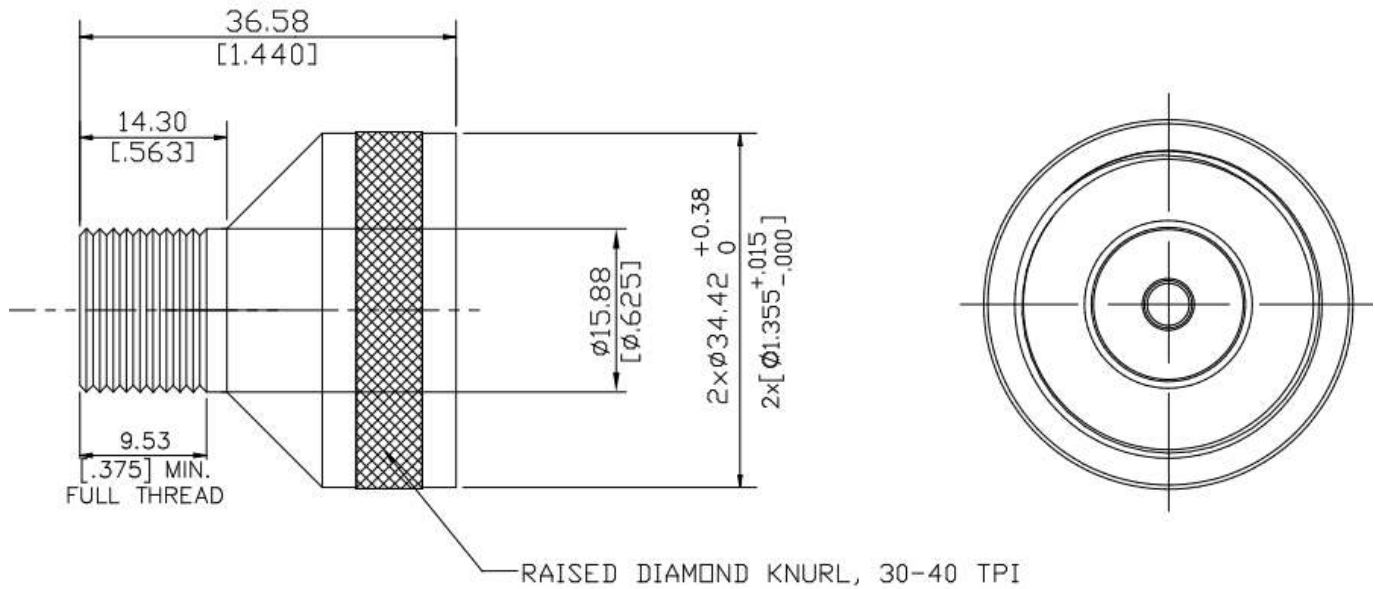
Operating Temperature	-34° C~+51° C
Storage Temperature	-34° C~+51° C
RoHS Compliant	Yes

Description: NMO to UHF Female adapter

Series: Antenna accessory

PART NUMBER: NMOTEST1

MECHANICAL DRAWING



Issue: 2031

In the effort to improve our products, we reserve the right to make changes judged to be necessary.

CONFIDENTIAL AND PROPRIETARY INFORMATION

This document contains confidential and proprietary information of Pulse Electronics, Inc. (Pulse) and is protected by copyright, trade secret and other state and federal laws. Its receipt or possession does not convey any rights to reproduce, disclose its contents, or to manufacture, use or sell anything it may describe. Reproduction, disclosure or use without specific written authorization of Pulse is strictly forbidden.

Description: NMO to UHF Female adapter

Series: Antenna accessory

PART NUMBER: NMOTEST1

PACKAGING

1 adapter packed in a plastic bag.

1 label on each plastic bag with part number, description, date code.