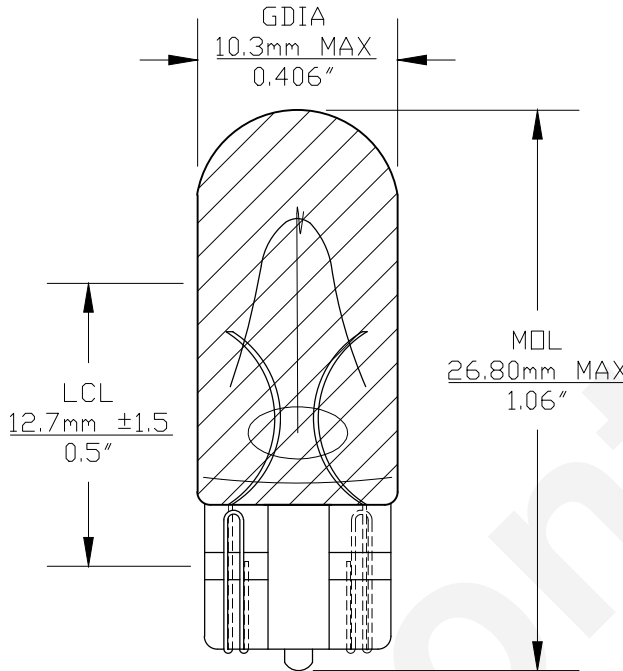
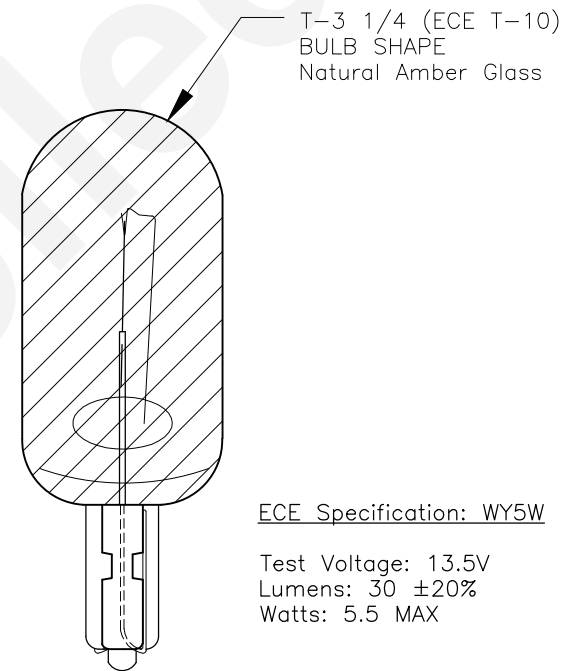




PART NO.	BASE TYPE	DESIGN VOLTS	DESIGN AMPS	MSCD	FILAMENT TYPE	AVERAGE LIFE HOURS	REVISIONS			
							REV #	DESCRIPTION	DATE	APPROVED
2827	Glass Wedge T-3 1/4 (W2.1X9.5d)	12.0V	0.4±10%	2.4 ±20%	C-2V	300	1	ISSUED	11/18/2008	D.C.
							2	REDRAWN FOR ADDITIONAL VIEWS	08/29/2014	R.M.



0° VIEW



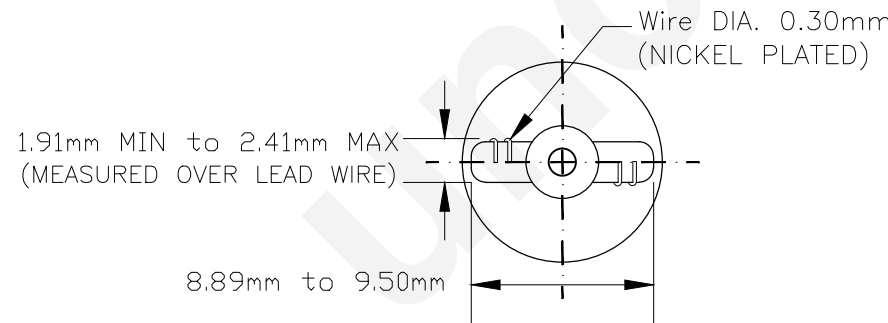
90° VIEW

ECE Specification: WY5W

Test Voltage: 13.5V
Lumens: 30 ±20%
Watts: 5.5 MAX



Note: Made according to ECE/R37 specifications



BASE BOTTOM VIEW

UNLESS OTHERWISE SPECIFIED: DIMENSIONS ARE IN INCHES TOLERANCES		CEC INDUSTRIES LTD			
DECIMALS .XX ± .05		599 BOND STREET		LINCOLNSHIRE, IL 60069	
ANGULAR .XXX ± .010		TITLE LIGHT BULB NO. 2827 (WY5W NA)			
FRACTIONAL ±1/64		DATE 11/18/2008	SIZE A	DWG NO. 2827	REV 2
DRAWN D. C.	CHECKED	DESIGN	SCALE	PLOT SCALE	SHEET 1 OF 1
MATERIAL		FILE 2827.pdf	DRAWING NOT TO SCALE		