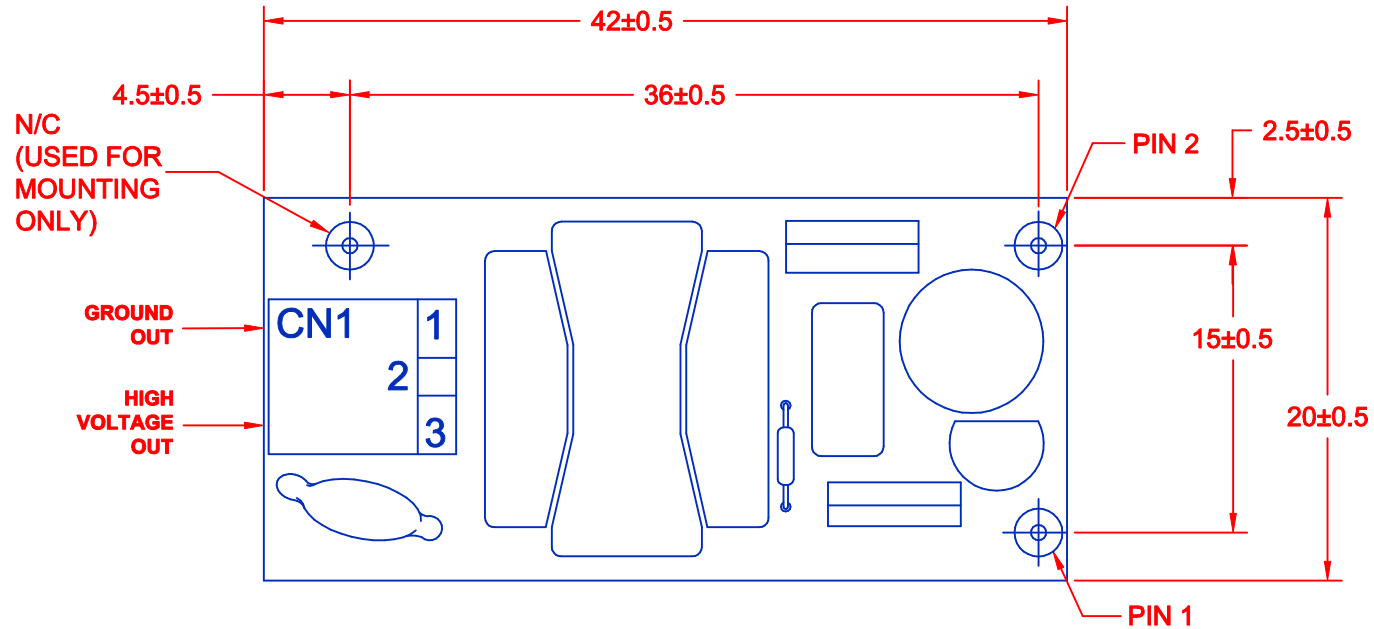
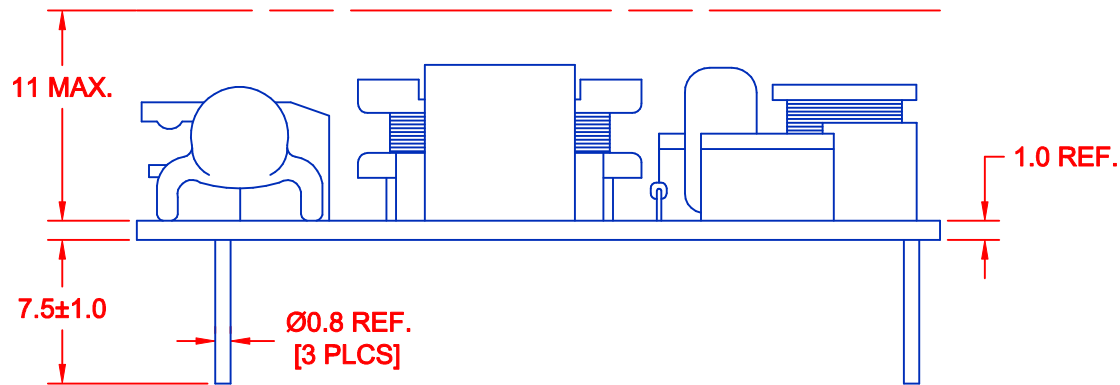


REV.	DESCRIPTION/ECO NO.	DATE
	RELEASE & CANCEL	1/3/03
	BXA-12553/KIT & BXA-12553/INV	



NOTE:  
MATING CONNECTOR IS NOT INCLUDED WITH INVERTER. JKL WIRE HARNESS PART NO. BXC-10566 CAN BE ORDERED SEPARATELY.



CN1 PIN #	TO LAMP
1	OUT GROUND
2	N/C
3	HIGH V

BOARD PIN #	INPUT
1	+V (V in)
2	V (GND)

CHARACTERISTICS	MIN	TYP	MAX
INPUT VOLTAGE: (vdc)	10.8	12.0	13.2
INPUT CURRENT: (mA)	---	180	250
OUTPUT VOLTAGE: (Vrms)	600	700	800
OUTPUT CURRENT (maRms)	4.0	5.5	7.0
OUTPUT FREQUENCY: (kHz)	10	25	40
OPERATING TEMP: (CELSIUS)	0	25	50

<p>METRIC THIRD ANGLE PROJECTION</p>	DIMENSIONS ARE IN MILLIMETERS TOLERANCE UNLESS OTHERWISE SPECIFIED 1 PL +/- 0.3 2 PL +/- ANGLE +/- 0	<b>JKL COMPONENTS CORPORATION</b>			
	TITLE <b>CCFL POWER SUPPLY</b>				
DRAWN BY L. WENGSTROM	APP'VD BY F.D.	DATE 1/3/03	SIZE <b>A</b>	FSCM NO. <b>55335</b>	DRAWING NO. <b>BXA-12553</b>
- CAD DRAWING - MANUAL REVISIONS NOT PERMITTED			SCALE NONE	RELEASED DATE 1/3/03	REVISION DATE REV. NO. SHEET OF