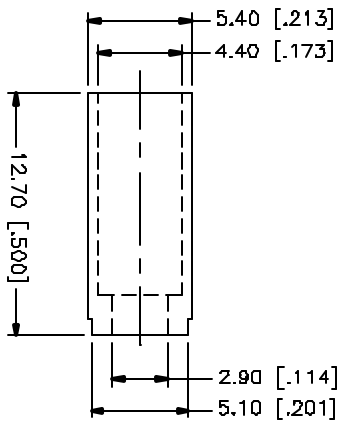
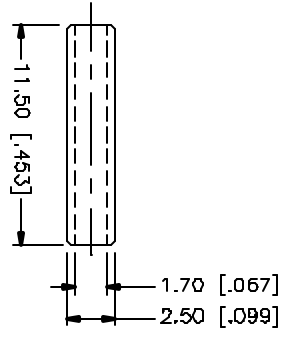
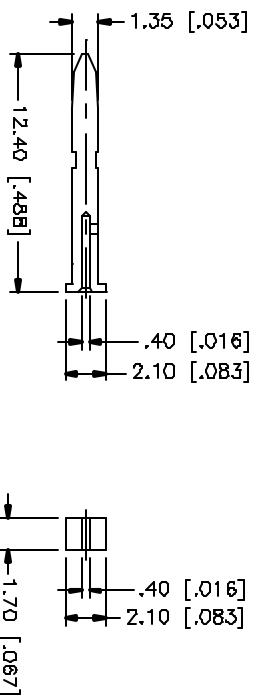
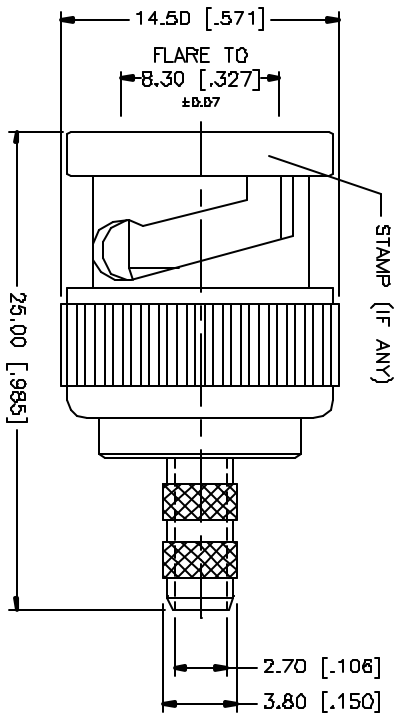
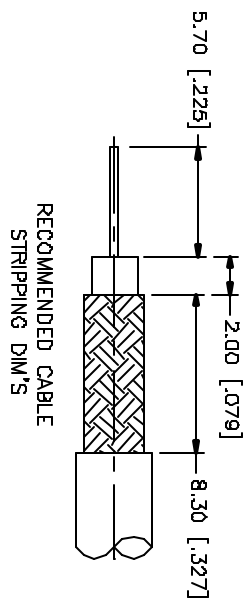


REV.	DATE	DESCRIPTION
NC	08/25/04	INITIAL RELEASE



- NOTES:
1. CRIMPED FERRULE
HEX CRIMP SIZE .178"
 2. CRIMPED CONTACT PIN
HEX CRIMP SIZE .042"

QTY	FINISH	MATERIAL	DESCRIPTION
1	NICKEL	BRASS	BODY
1	NATURAL	TEFLON	INSULATOR
1	NATURAL	BRASS	CONTACT PIN
1	NATURAL	DELFIN	ELEVE
1	NICKEL	BRASS	SLEEVE
1	NICKEL	BRASS	FERRULE

APPROVALS	DATE
DRAWN G.R.S.	08/25/04
CHECKED	
ISSUED	
SHEET 1 OF 1	

DO NOT SCALE DRAWING	DO FILE	DWG. NO.	REV.	SIZE	SCALE
DO NOT SCALE DRAWING	C:/112/112954-10.DWG	112954-10.DWG	NC	A	NA

PART DESCRIPTION	PART NO.
Amphenol Connex BNC CRIMP PLUG (FOR BELDEN 179DT CABLE)	112954-10