

MATERIALS AND FINISHES

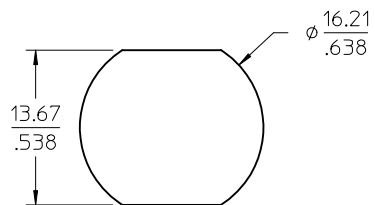
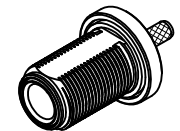
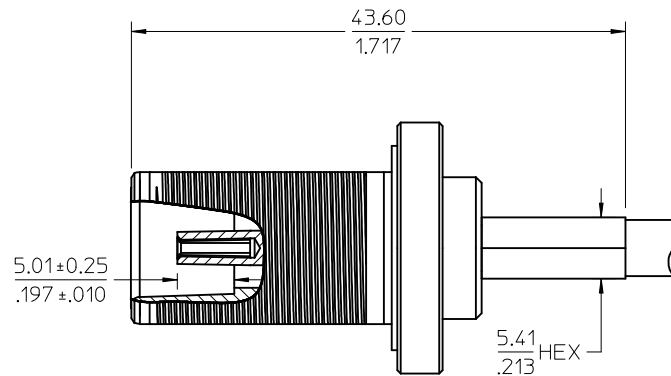
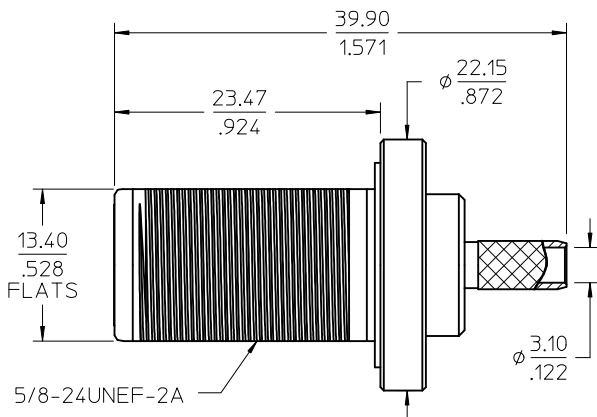
BODY, JAM NUT, CRIMP FERRULE: BRASS PLATED NICKEL

CENTER CONTACT: PHOSPHOR BRONZE PLATED GOLD

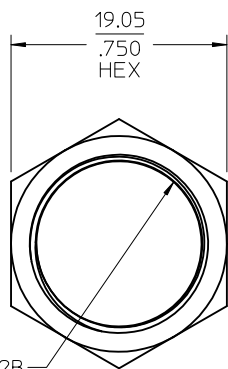
INSULATOR: TEFLON

GASKET: SILICONE RUBBER

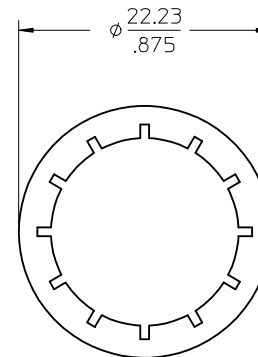
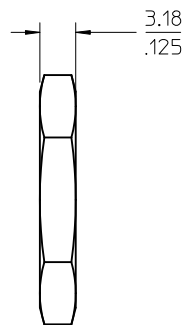
WASHER: PHOSPHOR BRONZE PLATED NICKEL



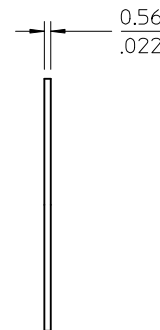
MAX. PANEL THICKNESS: 6.35(.250)  
RECOMMENDED MOUNTING TORQUE: 2.26N-M (20IN-LBS)



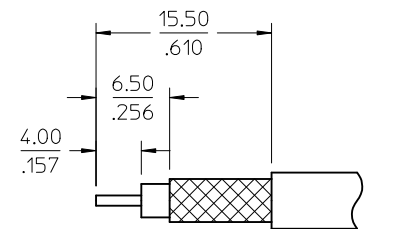
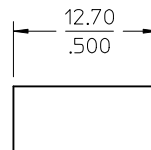
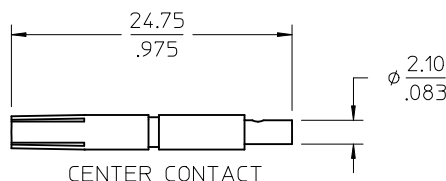
NUT



WASHER



73276-2370	ONE PER BAG
73100-0037	STANDARD
PART NO.	PACKAGING



ES-89675-3220	ELEC/MECH PERFORMANCE
SPECIFICATION	DESCRIPTION

CHG: ADD SINGLE BAG OPTION PS WAS 73598-0033	EC NO: URF2011-0612	2011/04/18	DESCRIPTION
	DRWN:WIENER	2011/04/18	
REV	CHKD:SSS	2011/04/18	B2
	APPR:WIENER	2011/04/18	

QUALITY SYMBOLS	▽=0
	▽=0

GENERAL TOLERANCES (UNLESS SPECIFIED)	
	mm
	INCH
4 PLACES	± .005
3 PLACES	± .005
2 PLACES	± .005
1 PLACE	± .005
ANGULAR ± 2°	
DRAFT WHERE APPLICABLE MUST REMAIN WITHIN DIMENSIONS	

DIMENSION STYLE	
MM/IN	
DRAWN BY	DATE
JM	2004/12/06
CHECKED BY	DATE
JM	2004/12/06
APPROVED BY	DATE
JDW	2004/12/06
MATERIAL NO.	SEE TABLE
SIZE	C

SCALE	DESIGN UNITS	THIRD ANGLE PROJECTION
	METRIC	
TITLE		
N JACK, STRAIGHT BULKHEAD FOR RG58, RG141 50 OHMS, N-JC EWR-1357		
MOLEX INCORPORATED		
DOCUMENT NO.	SHEET NO.	
SD-73100-0037	1 OF 1	
THIS DRAWING CONTAINS INFORMATION THAT IS PROPRIETARY TO MOLEX INCORPORATED AND SHOULD NOT BE USED WITHOUT WRITTEN PERMISSION		

MATERIALS AND FINISHES

SEE SD-73100-0037

P/N: 73276-2370: THIS IS P/N: 73100-0037 PLACED IN A SINGLE BAG

CHG: NEW RELEASE EC NO: URF2011-0612 DRAWN: JWIENER CHKD: SSS APPR: JWIENER	DESCRIPTION 2011/04/18 2011/04/18 2011/04/18	QUALITY SYMBOLS ▽=0 ▽=0	GENERAL TOLERANCES (UNLESS SPECIFIED)		DIMENSION STYLE MM/IN		SCALE	DESIGN UNITS	THIRD ANGLE PROJECTION	
			mm	INCH	DRAWN BY JWIENER	DATE 2011/04/18	TITLE N JACK BULKHEAD RG58 50 OHMS N-JC EWR-1357			
A	REV		4 PLACES	± ---	± ---	CHECKED BY SSS	DATE 2011/04/18	MOLEX INCORPORATED	DOCUMENT NO. SD-73276-237	SHEET NO. 1 OF 1
			3 PLACES	± ---	± ---	APPROVED BY JWIENER	DATE 2011/04/18			
			2 PLACES	± ---	± ---	MATERIAL NO. SEE TABLE		THIS DRAWING CONTAINS INFORMATION THAT IS PROPRIETARY TO MOLEX INCORPORATED AND SHOULD NOT BE USED WITHOUT WRITTEN PERMISSION		
			1 PLACE	± ---	± ---	SIZE C				
			ANGULAR ± ---°		DRAFT WHERE APPLICABLE MUST REMAIN WITHIN DIMENSIONS					