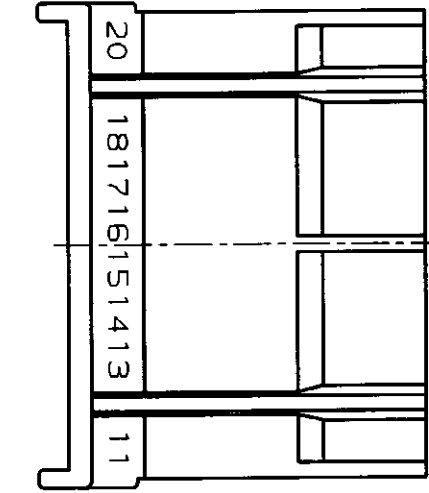
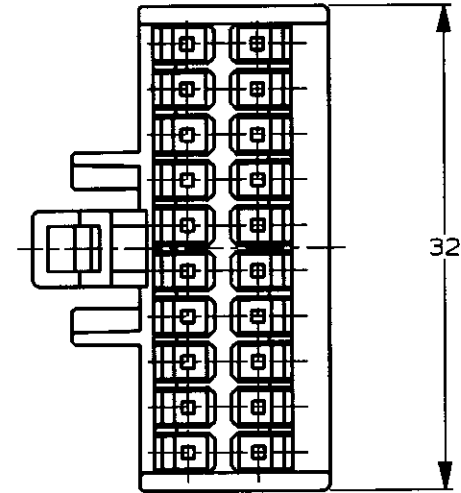
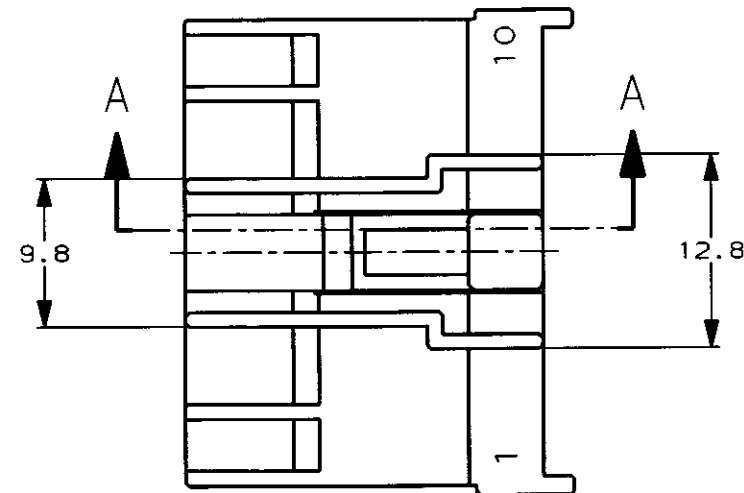
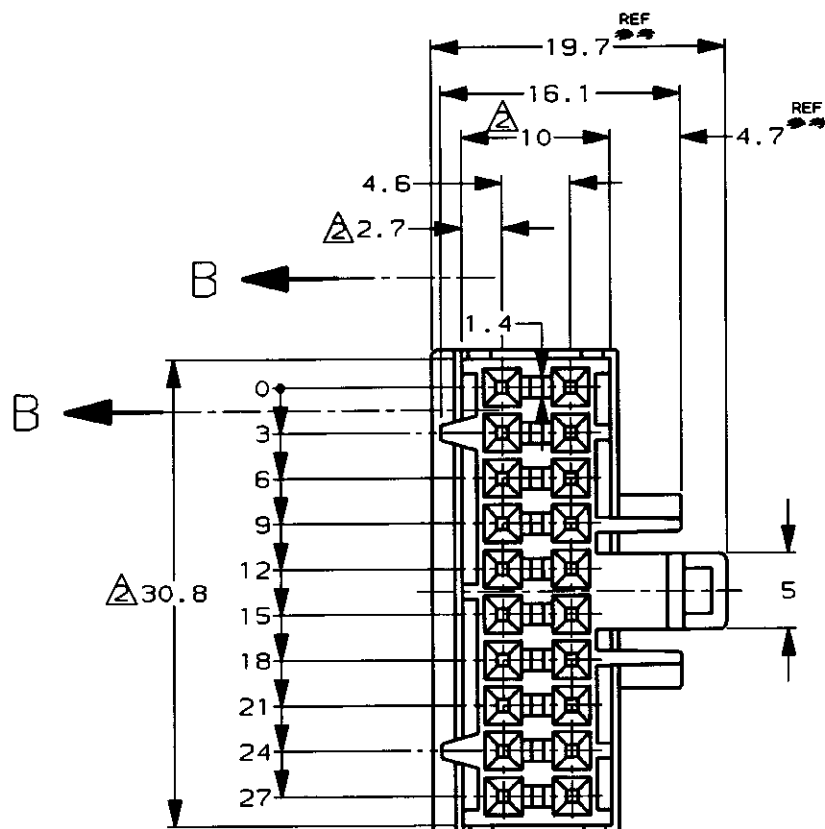
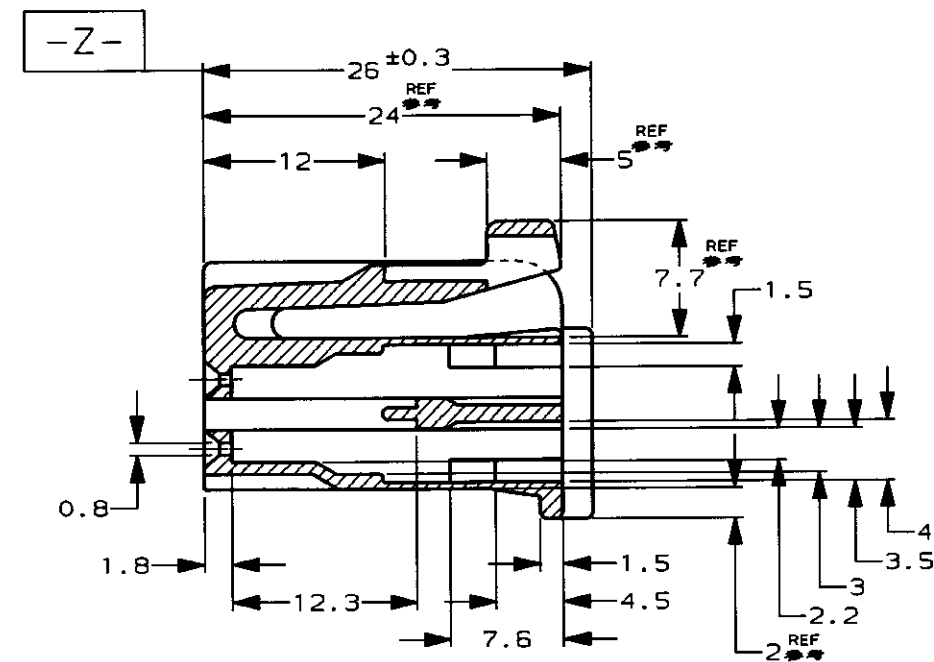


THIS DRAWING IS UNPUBLISHED. RELEASED FOR PUBLICATION .19
© COPYRIGHT 19 BY AMP INCORPORATED. ALL RIGHTS RESERVED.

LOC		DIST		REVISIONS				
P	LTR	DESCRIPTION		ECN	DATE	DWN	APVD	
	A	再作成 REDRAWN W/O CHANGE		FJ00-0009-97	25DEC.96	TS	AW	

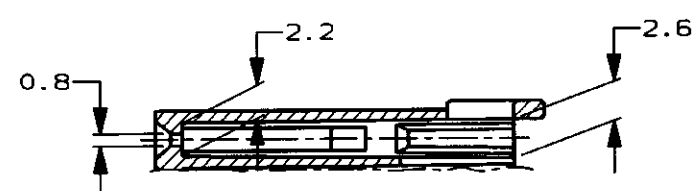


-2 ; 本図
-2 ; AS SHOWN



注：
 △ 適合ロックプレート型番 172851 (2ヶ)
 □ -Z- 面より2mmの範囲で測定

NOTES:
 1 PART NUMBER OF SECONDARY LOCKING PLATE 172851 (2 REQUIRED)
 △ THESE DIMENSIONS TO BE MEASURED BETWEEN □ -Z- AND 2



断面 B-B SECT.

断面 A-A SECT.

THIS DRAWING IS A CONTROLLED DOCUMENT FOR AMP INCORPORATED. IT IS SUBJECT TO CHANGE AND THE CONTROLLING ENGINEERING ORGANIZATION SHOULD BE CONTACTED FOR THE LATEST REVISION.		CHK <i>T. Shinohara</i> 25DEC96	WIRE RANGE 適合電線断面積		INSULATION DIA 被覆外径	
DIMENSIONS. 単位: 純 mm		TOLERANCES UNLESS OTHERWISE SPECIFIED 一般公差 10mm ±0.2 30 ±0.25 100 ±0.3 ANGLE ±3°		AMP 日本エー・エム・ジー株式会社 Kawasaki, Japan		
MATERIAL 材料 66 NYLON 66 ナイロン		FINISH 仕上 BLACK 黒		NAME 名称 20極 プラグハウジング 二重ロック型 デュアルラインインターロックコネクタ PLUG HOUSING 20Pos. DLI CONNECTOR SECONDARY LOCK TYPE		
CUSTOMER DRAWING		APVD <i>A. Tamoto</i> 25DEC.96 PRODUCT SPEC 108-5124		DRAWING NO 番号 C-172850		
		WEIGHT		SIZE A3		
		SCALE 尺度 2-1		SHEET 1 OF 1		
				REV A		