

ase PoE

U:K012-C

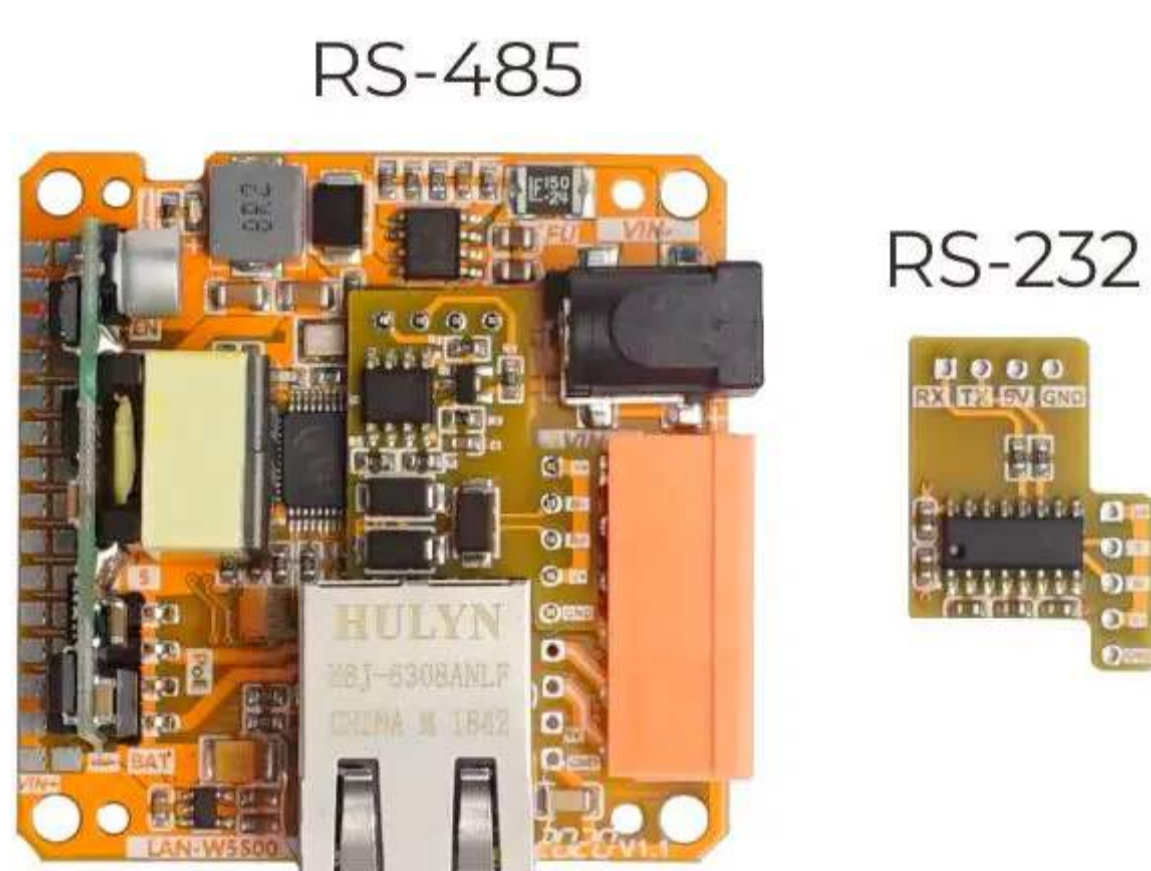


Description

PoE is an M5 Base that implements a W5500 Ethernet controller chip with PoE module, which provides Hardwired TCP/IP embedded Ethernet controller to facilitate easier internet connection to embedded systems. W5500 integrates TCP/IP protocol stack, 10/100M Ethernet data link layer (MAC) and physical layer (PHY). This base supports RS485 / RS232 communication and can be used as an Ethernet to serial port server. It is specifically designed for industrial applications. PoE (Power over Ethernet) technology is supported. Through the built-in PoE module, power can be directly supplied to the base through a switch without a separate power supply. It comes with a couple of HT3.96 connectors, metal rail and magnet discs for easy installation. The 6 pins of the 3.96 connector are spare, you can wire them up with an RS485 or RS232 adapter board as you like.

Figure below shows the internals of the LAN base

You need to add an RS485 or RS232 interface, make sure to solder the RS485 or RS232 board onto the main board pin correspondingly.



Product Features

- Support PoE IEEE802.3 AF
- DC input supply voltage: 9-24V
- Ethernet access

HT3.96 port for supporting RS485/RS232 communication

independent hardware socket simultaneous communication

support TCP, UDP, ICMP, IPv4, ARP, IGMP, PPPoE protocols

support integrated 10BaseT / 100Base-T Ethernet PHY

easy to fixed on the wall

Applications

Ethernet controller

Ethernet and RS485/RS232 data forwarding

Ethernet network node

Include

1x PoE Base

1x TTL-to-RS485 adapter board

1x TTL-to-RS232 adapter board

1x pin header 20pin

1x metal rails and magnet discs

1x HT3.96 terminal

1x 3pin

1x 4pin

10x cold crimp terminal (red Copper Lugs)

1x HEX KEY - 1x 1.5mm - 1x 2mm - 1x 2.5mm

1x hexagon socket head cap screws M3x28

1x hexagon socket tapping screw KA2x4

1x countersunk head screw M3x8

Specification

Resources	Parameter
Ethernet chip	W5500
Support protocols	TCP, UDP, ICMP, IPv4, ARP, IGMP, PPPoE
RS485 chip	SP3485EE
RS232 chip	MAX232
PoE power supply mode	Idle network cable pin power supply(10M/100M Ethernet),J4&J5(VC-),J7&J8(VC+)
PoE specification	IEEE802.3 AF
DC input voltage	9V~24V
Net weight	32g
Gross weight	132g
Product size	54*54*28mm
Package Size	105*65*40mm

EasyLoader

EasyLoader is a concise and fast program writer, which has a built-in case program related to the product. It can be burned to the main control by simple steps to perform a series of function verification.

[Download Windows Version Easyloader](#)

[Download MacOS Version Easyloader](#)

Description:

Send messages or commands via Ethernet to control M5Stack 6060 PUSH or display messages on the screen

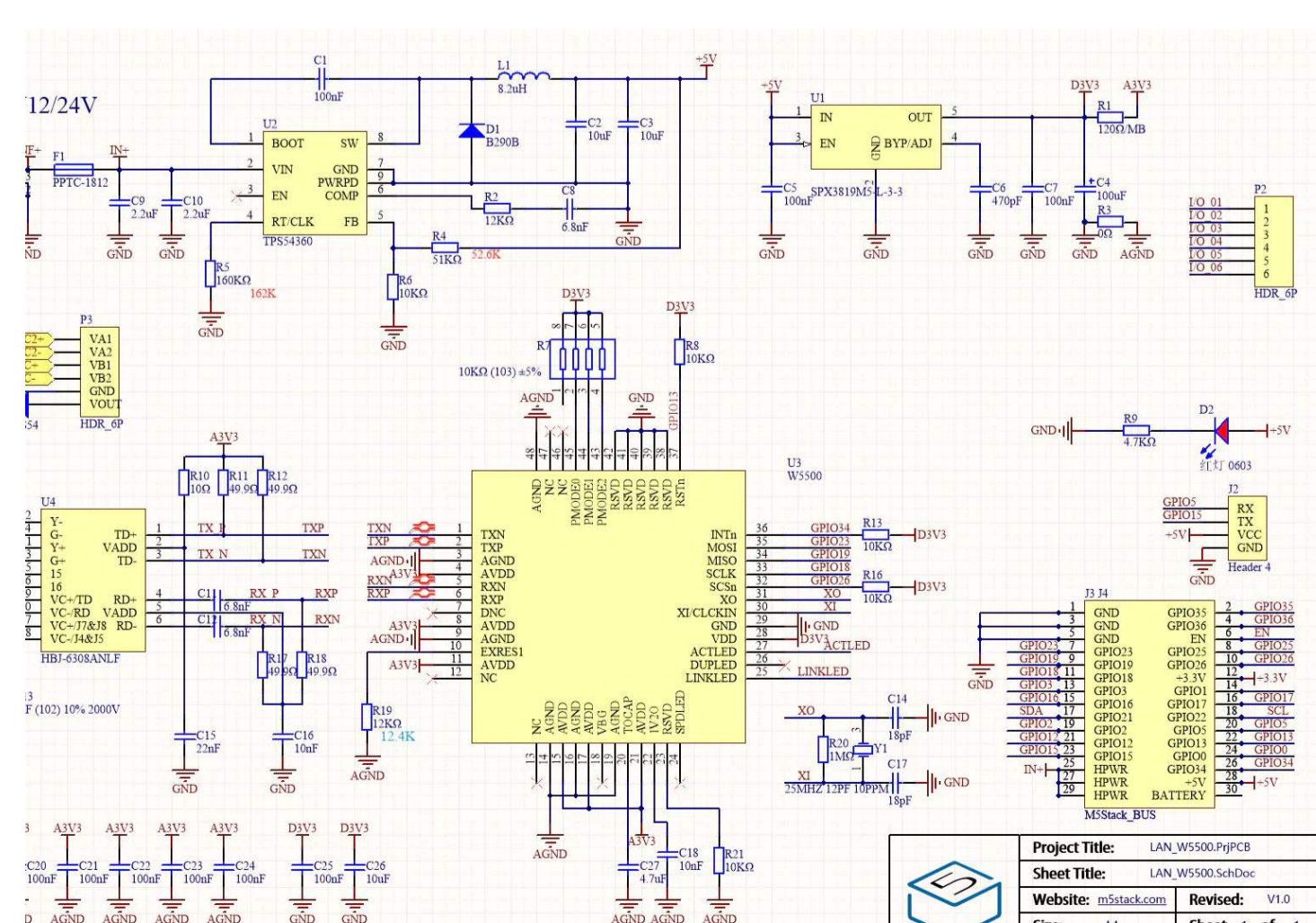
Map

M5Stack	GPIO13	GPIO18	GPIO19	GPIO23	GPIO26	GPIO34	GPIO5
M5500 PoE	RST	CLK	MISO	MOSI	CS	INT	RX

Front side M-BUS pin definition

G35	ADC	GND
G36	ADC	GND
EN	RST	GND
G25	DAC/SPK	MOSI G23
G26	DAC	MISO G19
	3.3V	SCK G18
G1	TXD0	RXD0 G3
G17	TXD2	RXD2 G16
G22	SCL	SDA G21
G5	GPIO	GPIO G2
G13	IIS_WS	IIS_SK G12
G0	IIS_MK	IISOUT G15
G34	IIS_IN	HPWR
	5V	HPWR
	BATTERY	HPWR

Schematic



Related Link

Datasheet

- [W5500](#)
- [SP485EEN](#)
- [MAX232](#)

xample

Get Arduino code [click here](#)